

ROTOM

www.rotom.ca

 AIRDEX
CORPORATION

CATALOGUE



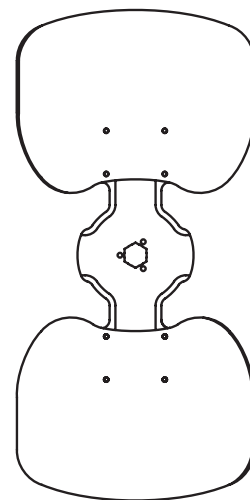
Airdex Fan Blades

Applications

- Unitary Air Conditioning
- Heat Pumps and Ventilating

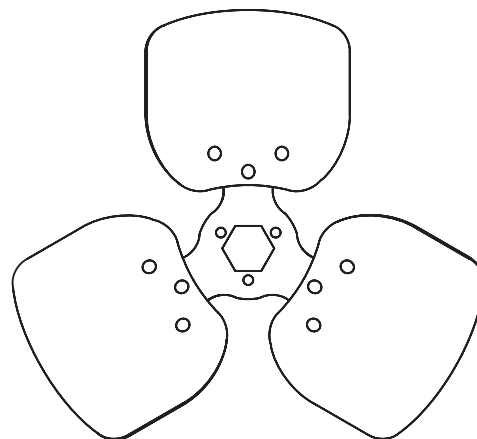
2 Blade - Heavy Duty Condenser Type - Interchangeable Hub

Part #	Rotation	Diameter(")	Pitch(°)	Blade Depth ("
93-2771002	CCW	18	27	4.24
93-2771012	CCW	20	25	4.48
93-2771022	CCW	22	18	3.71
93-2771302	CCW	22	27	5.1



3 Blade - Free Air - Interchangeable Hub

CW Part #	CCW Part#	Diameter(")	Pitch(°)	Blade Depth ("
93-2770202	93-2770212	12	16	1.81
93-2770952	93-2770962	12	23	2.49
93-2770242	93-2770252	14	19	2.45
93-2771502	-	14	23	2.87
93-2771522	93-2771512	14	27	3.28
93-2770072	93-2770082	14	32	3.75
93-2771542	93-2771532	16	19	2.9
93-2770302	93-2770312	16	22	3.26
93-2771552	-	16	27	3.84
93-2770132	93-2770142	16	29	4.06
93-2770572	93-2770862	18	20	3.3
93-2770972	93-2770982	18	23	3.7
93-2770362	93-2770372	18	27	4.24
93-2770402	93-2770412	20	16	3.01
93-2771572	-	20	23	4.09
93-2770422	93-2770432	20	24	4.24
93-2771592	93-2771582	20	27	4.69
93-2771612	93-2771602	20	33	5.51
93-2771362	93-2771372	22	27	5.1
93-2771262	93-2771272	22	33	6.03
93-2771622	-	24	18	4.15
93-2771282	93-2771292	24	27	5.73
93-2771382	93-2771312	24	33	6.7
93-2771322	93-2771332	26	27	5.8
93-2771342	93-2771352	26	33	6.8



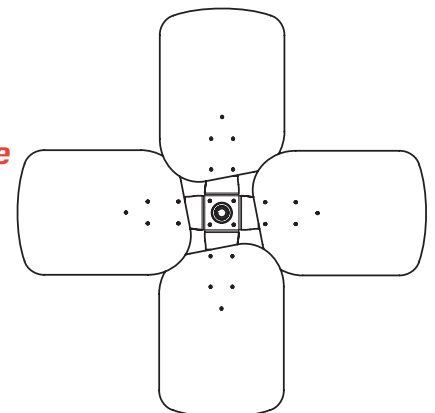
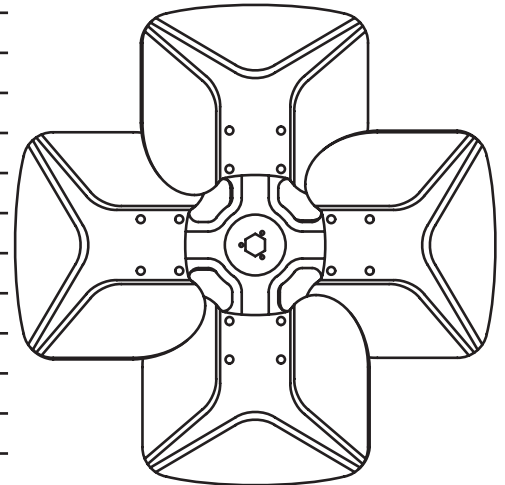
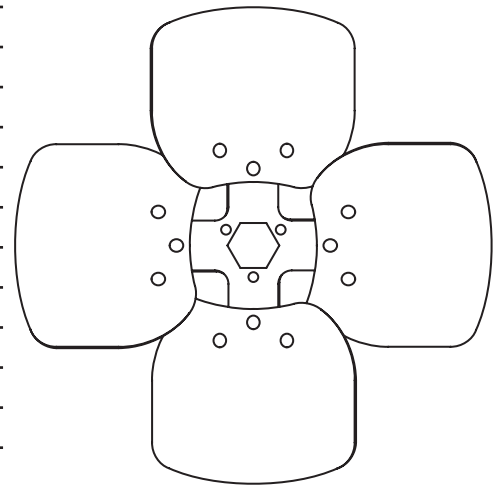
Airdex Fan Blades

4 Blade - Heavy Duty Condenser Type - Interchangeable Hub Type

CW Part #	CCW Part#	Diameter(")	Pitch(°)	Blade Depth (")
93-2771632	-	10	19	1.75
93-2770582	93-2770592	10	23	2.04
93-2770602	93-2770612	10	27	2.33
93-2770622	93-2770632	10	33	2.74
93-2770702	93-2770712	12	23	2.49
93-2770542	93-2770552	12	26	2.76
93-2770222	93-2770232	12	33	3.32
93-2771642	-	14	19	2.45
93-2770722	93-2770732	14	23	2.87
93-2770282	93-2770292	14	26	3.17
93-2770262	93-2770272	14	33	3.87
93-2771652	-	16	19	2.9
93-2770742	93-2770752	16	23	3.38
93-2770322	93-2770332	16	26	3.72
93-2770342	93-2770352	16	33	4.5
93-2770382	93-2770392	18	24	3.84
93-2770762	93-2770772	18	27	4.24
93-2771672	-	18	30	4.61
93-2770642	93-2770652	18	33	4.99
93-2770462	93-2770472	20	23	1.09
93-2771692	93-2771682	20	27	4.69
93-2770482	93-2770492	20	29	4.98
93-2770662	93-2770672	20	33	5.51
93-2771032	93-2771042	22	23	4.48
93-2771052	93-2771062	22	27	5.1
93-2771072	93-2771082	22	33	6.03
93-2771702	-	24	18	4.15
93-2771092	93-2771102	24	23	5.03
93-2771112	93-2771122	24	27	5.73
93-2771132	93-2771142	24	33	6.7
93-2771152	93-2771162	26	23	5.12
93-2771172	93-2771182	26	27	5.8
93-2771192	93-2771202	26	33	6.8

Applications

- Unitary Air Conditioning
- Heat Pumps and Ventilating



4 Blade - Heavy Duty Condenser Type - Interchangeable Hub Type

Applications

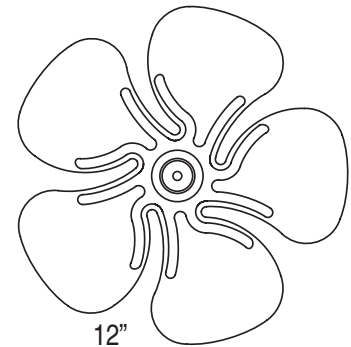
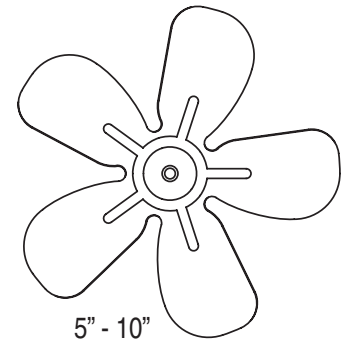
- Refrigeration

CW Part #	CCW Part#	Diameter(")	Pitch(°)	Blade Depth (")
93-2771212	-	30	22	4.06
93-2771232	-	30	28	4.91

Airdex Fan Blades & Hex Hubs

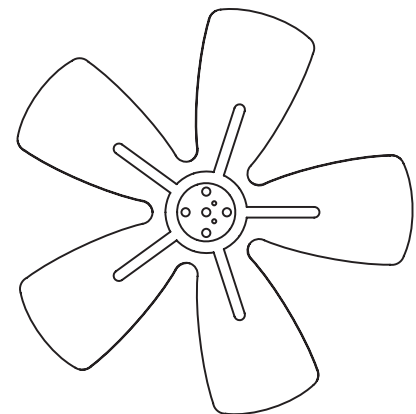
5 Blade - One Piece Axial Flow Series

CW Part #	CCW Part#	Diameter(")	Pitch(°)	Bore Size (")
93-1010702	93-1010712	5	27	1/4
93-1010722	93-1010732	5	27	5/16
93-1010812	93-1010822	6	20	1/4
93-1010832	93-1010842	6	31	1/4
93-1010352	93-1010632	8	24	1/4
93-1010642	93-1010652	8	24	5/16
93-1010662	93-1010672	10	31	1/4
93-1010362	93-1010692	10	31	5/16
93-1010012	93-1010042	12	24	5/16



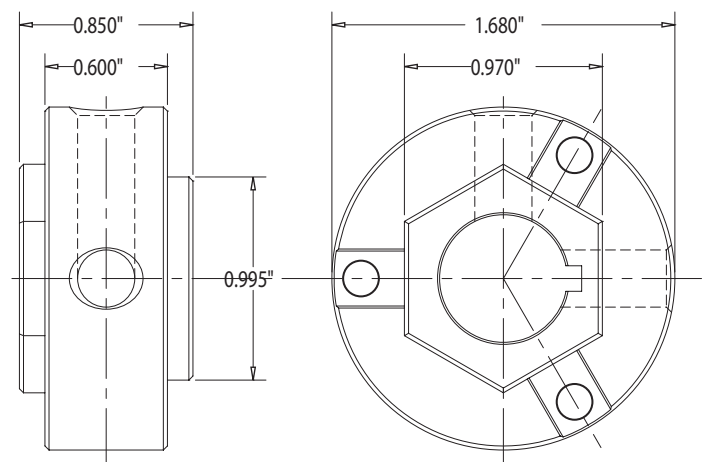
5 Blade - Designed to Fit Unit Bearing Motor

CW Part #	CCW Part#	Diameter(")	Pitch(°)
93-1010402	93-1010462	6	31
93-1010412	93-1010472	7	31
93-1010432	93-1010492	8	31
93-1010452	93-1010512	9	31
93-1010442	93-1010502	10	31



Universal Hex Hubs

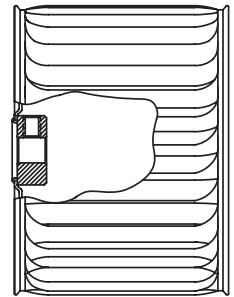
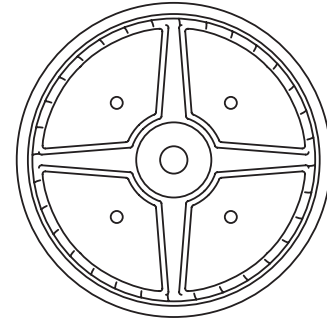
Part #	Bore Size (")	Key-Way	Pitch(°)	Blade Depth (")
93-2038052	5/16	No	27	4.24
93-2038062	3/8	No	25	4.48
93-2038072	1/2	No	18	3.71
93-2038082	5/8	Yes	27	5.1



Airdex Blower Wheels

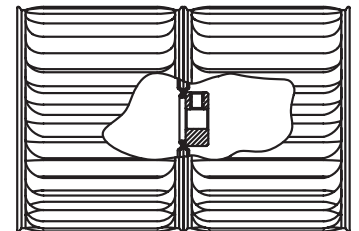
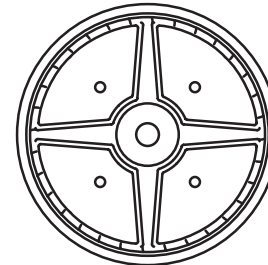
Single Inlet Blower Wheels

CW Part #	CCW Part#	Diameter(")	Width (")	Bore Size (")
92-4705842	92-4705852	3	2	1/4
66-4705412	66-4705422	3.75	2	1/4
66-4705862	66-4705872	3.75	2	5/16
66-4705882	66-4705892	3.75	2.5	5/16
66-4705932	66-4705942	4.75	3	5/16
66-4705952	66-4705962	5.25	2.5	5/16
66-4705972	66-4705982	5.25	3	5/16
66-4705992	66-4706002	5.25	3.5	5/16
66-4706012	66-4706022	5.75	3	5/16
66-4706032	66-4706042	5.75	3.5	5/16
66-4706052	66-4706062	5.75	4	1/2
66-4706072	66-4706082	6 5/16	3.75	1/2
66-4706092	66-4706102	6 5/16	4.25	1/2



Double Inlet Blower Wheels

CW Part #	CCW Part#	Diameter(")	Width (")	Bore Size (")
66-4705632	66-4705642	5.25	7	1/2
66-4705652	66-4705662	5.75	7.5	1/2
66-4705672	66-4705792	5.75	7.75	1/2
66-4705702	66-4705712	6 5/16	7	1/2
66-4705722	66-4705732	6 5/16	7.5	1/2
-	66-4705742	6 5/16	7.75	1/2



Belt Drive Blower Wheels

Part #	Diameter(")	Width (")	Bore Size (")
66-5014652	9 1/2	7 1/8	3/4
66-5014662	9 1/2	9 1/2	3/4
66-5014672	10 5/8	8	3/4
66-5014682	10 5/8	10 5/8	3/4
66-5705452	12 3/4	12 3/4	3/4
66-5705462	12 3/4	9 1/2	3/4
66-5705482	15 1/2	15 1/16	1

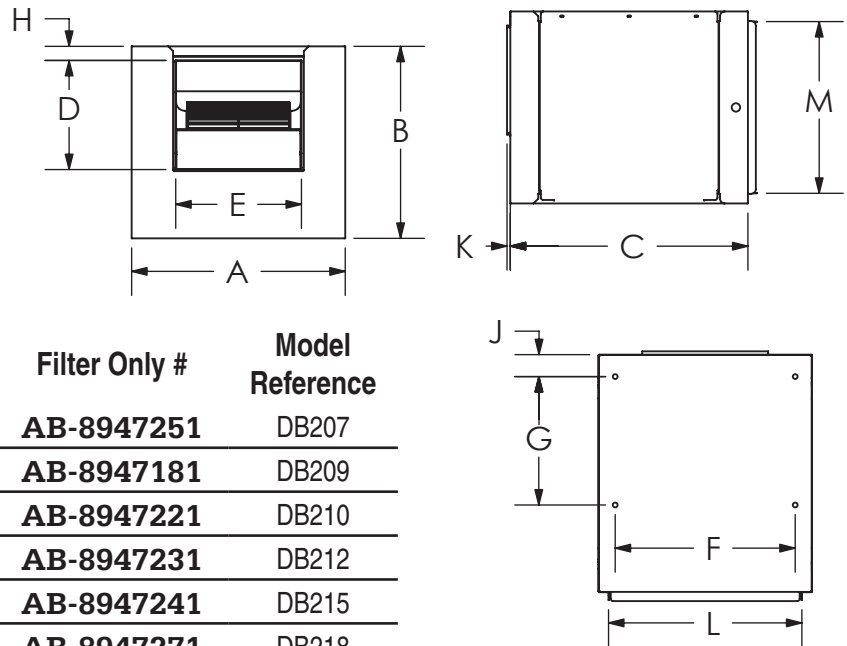
Direct Drive Blower Wheels

Part #	Diameter(")	Width (")	Bore Size (")
66-5705492	9 1/2	4 1/2	1/2
66-5705502	9 1/2	6	1/2
66-5705412	9 1/2	7 1/8	1/2
66-5705422	9 1/2	9 1/2	1/2
66-5705432	10 5/8	8	1/2
66-5705442	10 5/8	10 5/8	1/2
66-5814282	10 5/8	10 5/8	1
66-5014961	12	9	1/2
66-5015001	12	11 1/8	1/2

Inline Duct Blowers

Features

- All purpose heavy duty blower with weather resistant insulated cabinet.
- Suitable for indoor and outdoor use.
- Corrosion resistant grey paint.
- Easy access for motor and drive installation and servicing.
- Motor mounting hardware included.
- Pillow block bearings on all models.



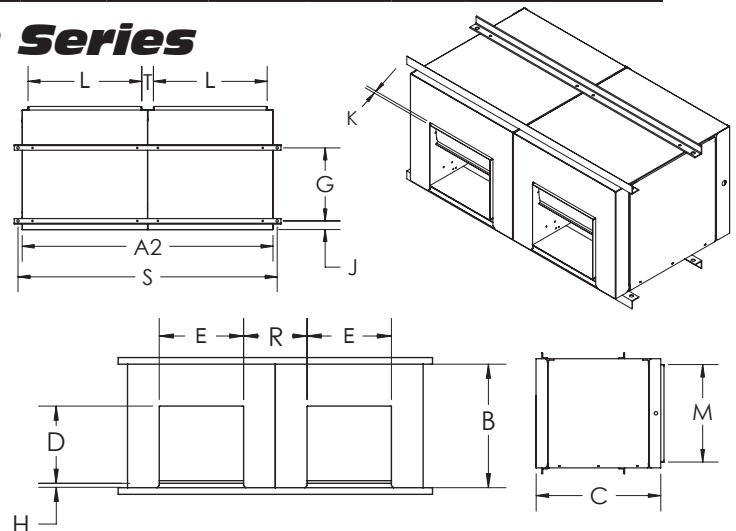
Part #	Shaft Dia (")	Filter Frame #	Filter Only #	Model Reference
AB-8887245	3/4	AB-8887095	AB-8947251	DB207
AB-8887255	3/4	AB-8887105	AB-8947181	DB209
AB-8887265	3/4	AB-8887115	AB-8947221	DB210
AB-8887275	3/4	AB-8887125	AB-8947231	DB212
AB-8887285	1	AB-8887135	AB-8947241	DB215
AB-8887305	1	AB-8887145	AB-8947271	DB218

Dimensions

Part #	A (")	B (")	C (")	D (")	E (")	F (")	G (")	H (")	J (")	K (")	L (")	M (")
AB-8887245	18	15 3/8	23	10 1/4	9 3/16	14 1/2	9 5/8	1 1/32	1 3/4	5/16	19	16
AB-8887255	21	18	23	10 15/32	12 5/16	17 1/2	11 3/4	1 1/32	1 3/4	5/16	19	16
AB-8887265	22 1/4	20	24 3/4	11 31/32	13 5/8	18 3/4	13 3/8	1 1/32	2 1/4	5/16	20 1/4	18
AB-8887275	27	23	27 1/2	13 27/32	16 1/8	23 1/2	16 1/8	1 1/16	2 5/16	5/16	25	21
AB-8887285	33 1/2	28	32	16 15/32	18 1/8	28	19 1/2	2 3/16	2 5/16	5/16	30 1/2	25
AB-8887305	41 1/2	34	43 7/8	20	22 5/8	35	23	2	3 3/16	1/2	35 5/16	35 5/16

Inline Duct Blowers - Twin Series

Part #	Shaft Dia (")	Add Filter #	Model Reference
AB-8887335	3/4	AB-8887095	DB207-2
AB-8887345	3/4	AB-8887105	DB209-2
AB-8887355	3/4	AB-8887115	DB210-2
AB-8887365	3/4	AB-8887125	DB212-2
AB-8887315	1	AB-8887135	DB215-2
AB-8887325	1	AB-8887145	DB218-2



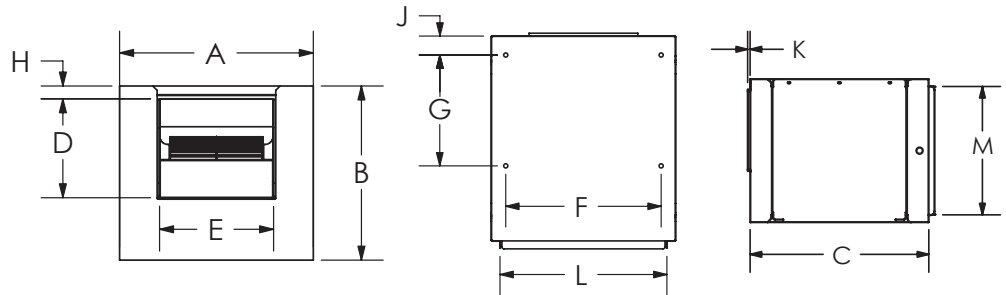
Dimensions

Part #	A2 (")	B (")	C (")	D (")	E (")	G (")	H (")	J (")	K (")	L (")	M (")	R (")	S (")	T (")
AB-8887335	36	15 3/8	23	10 1/4	9 3/16	9 5/8	1	1 3/4	5/16	15 7/8	13 3/8	8 13/16	38 1/4	2
AB-8887345	42	18	23	10 1/4	11 13/16	11 3/4	1	1 3/4	5/16	19	16	9 3/16	44 1/4	2
AB-8887355	44 1/2	20	24 3/4	11 3/8	13 1/8	13 3/8	1	2 1/4	5/16	20 1/4	18	9 1/8	46 3/4	2
AB-8887365	54	23	27 1/2	13 7/16	15 5/8	16 1/8	1	2 5/16	5/16	25	21	11 3/8	56 1/4	2
AB-8887315	67	28	32	15 7/8	18 5/8	19 1/2	1	2 5/16	5/16	30 1/2	25	14 7/8	69 1/4	3
AB-8887325	83	34	44	18 7/8	21 7/8	24	2	3 3/16	1/2	35 3/8	31 5/8	19 5/8	85 1/4	6 1/4

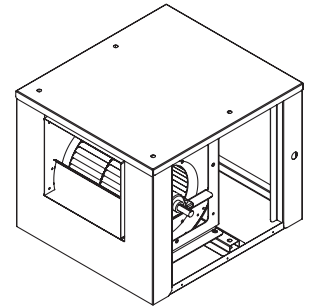
Inline Duct Blowers - Heavy Duty

Features

- All purpose heavy duty blower with weather resistant insulated cabinet.
- Suitable for indoor and outdoor use.
- Corrosion resistant grey paint.
- Easy access for motor and drive installation and servicing.
- Motor mounting hardware included.
- Pillow block bearings on all models.

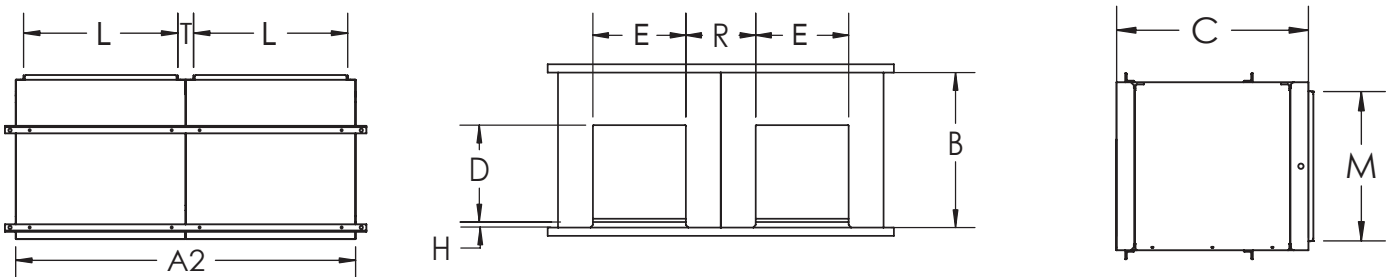


Part #	Shaft Dia (")	Filter Frame #	Filter Only #	Mtr. Mt. Brkt. Incl.	Model Reference
AB-8887905	3/4	AB-8887105	AB-8947181	Platform	DB9209
AB-8887915	3/4	AB-8887115	AB-8947221	Platform	DB9210
AB-8887925	1	AB-8887125	AB-8947231	Platform	DB9212
AB-8887935	1	AB-8887135	AB-8947241	Platform	DB9215
AB-8887945	1	AB-8887145	AB-8947241	HD Base	DB9218



Part #	Dimensions											
	A(")	B(")	C(")	D(")	E(")	F(")	G(")	H(")	J(")	K(")	L(")	M(")
AB-8887905	21	18	23	10 1/4	11 13/16	17 1/2	11 3/4	1	1 3/4	5/16	19	16
AB-8887915	22 1/4	20	24 3/4	11 3/8	13 1/8	18 3/4	13 3/8	1	2 1/4	5/16	20 1/4	18
AB-8887925	27	23	27 1/2	13 7/16	15 5/8	23 1/2	16 1/8	1	2 5/16	5/16	25	21
AB-8887935	33 1/2	28	32	15 7/8	18 5/8	28	19 1/2	1	2 5/16	5/16	30 1/2	25
AB-8887945	41 1/2	34	44	18 7/8	21 7/8	35	24	2	3 1/16	1/2	35 3/8	31 5/8

Inline Duct Blowers - Heavy Duty - Twin Series



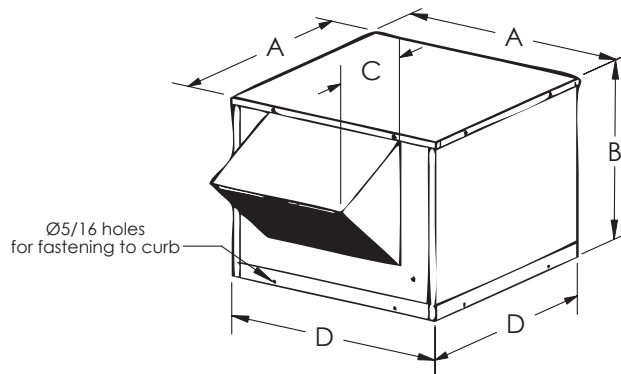
Part #	Shaft Dia (")	Filter Frame #	Filter Only #	Mtr. Mt. Brkt. Incl.	Model Reference
AB-8887675	1	AB-8887125	AB-8947231	Platform	DB9212-2
AB-8887685	1	AB-8887135	AB-8947241	Platform	DB9215-2
AB-8887695	1	AB-8887145	AB-8947271	HD Base	DB9218-2

Part #	Dimensions										
	A2(")	B(")	C(")	D(")	E(")	H(")	K(")	L(")	M(")	R(")	T(")
AB-8887675	54	23	27 1/5	13 7/16	15 5/8	1	5/16	25	21	11 3/8	2
AB-8887685	67	28	32	15 7/8	18 5/8	1	5/16	30 1/2	25	14 7/8	3
AB-8887695	83	34	44	18 7/8	21 7/8	2	1/2	35 3/8	31 5/8	19 5/8	6 1/4

Roof Exhausters

Features

- Ball bearings
- Back draft damper included
- Fully insulated
- Grey enamel finish on galvanized steel
- Screen on discharge
- Weatherproof
- Square base for easy mounting
- Top removes for easy servicing
- Belt drive blower uses standard Motors



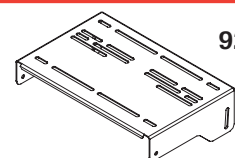
Part #	Shaft Dia (")	Replacement Dampers	Dimensions				Model Reference
			A"(mm)	B"(mm)	C"(mm)	D"(mm)	
AB-8887045	3/4	AB-8889002	20 3/8 (518)	16 5/8 (422)	9 (229)	20 (508)	RX-307
AB-8887005	3/4	AB-8889012	24 3/8 (619)	19 3/8 (492)	10 1/2 (271)	24 (610)	RX-309
AB-8887015	3/4	AB-8889022	28 3/8 (721)	21 3/8 (543)	11 3/8 (290)	28 (711)	RX-310
AB-8887025	3/4	AB-8889032	32 3/8 (822)	24 5/8 (625)	13 1/8 (333)	32 (813)	RX-312
AB-8887035	1	AB-8889042	36 3/8 (924)	28 3/8 (751)	14 7/8 (378)	36 (914)	RX-315
AB-8887055	1	AB-8889052	40 1/8 (1019.18)	33 1/4 (844.55)	19 1/2 (495.3)	40 (1016)	RX-318

Motor Mount Brackets

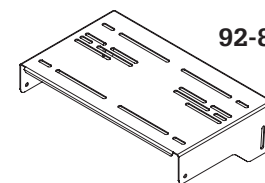
Features

- Designed to support larger HP motors (2 HP or larger)
- Mounting parts bag included

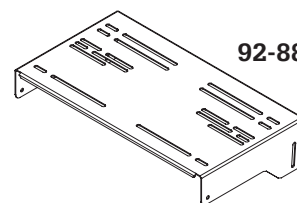
Part #	Length (inside)(")	Width (outside)(")	Model Reference
92-8811022	15.5	5.75	DB212 (or 12" Blower)
92-8811012	18.5	5.75	DB215 (or 15" Blower)
92-8811002	15	10.53	DB218



92-8811022



92-8811012

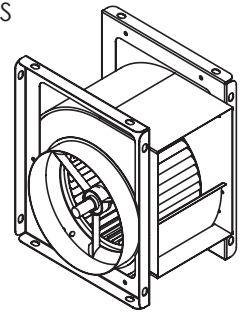
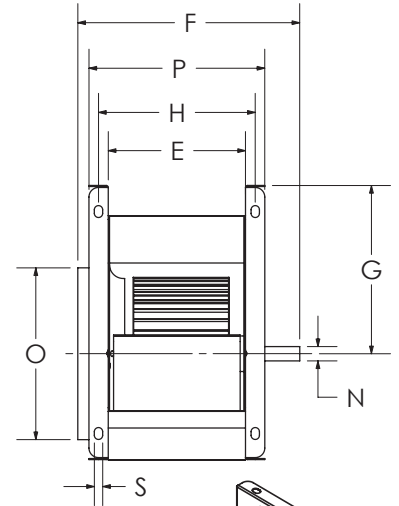
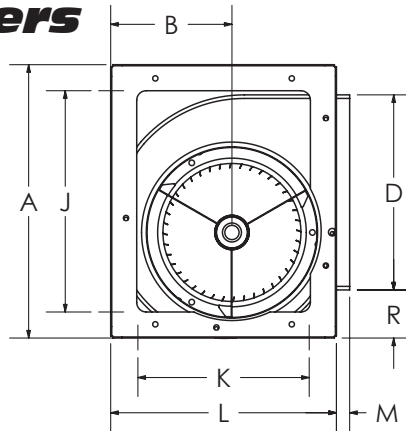


92-8811002

Single Inlet Exhausters

Features

- Forward curved blower
- Belt drive blower uses standard motors
- Motor mount included
- Universal frame allows for choice of mounting position
- Ball bearings
- Grey enamel paint on galvanized steel



Part #	Shaft Dia (")	Wheel Part #	Wheel Dia (")	Wheel Width (")	Model Reference
AB-8887405	3/4	AB-4829821	8	5	SI407
AB-8887415	3/4	AB-4829811	9 7/8	7 1/4	SI409
AB-8887425	3/4	AB-4829801	10 3/4	7 1/4	SI410
AB-8887435	3/4	AB-4829791	12	7 1/4	SI412
AB-8887445	1	-	15	9	SI415

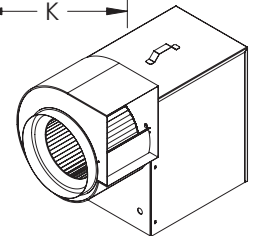
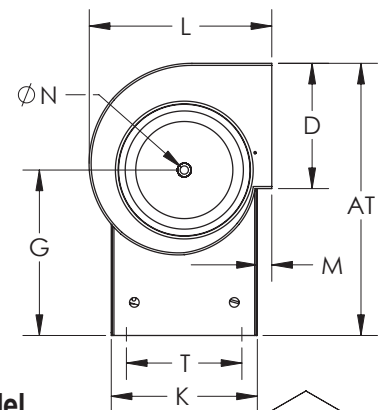
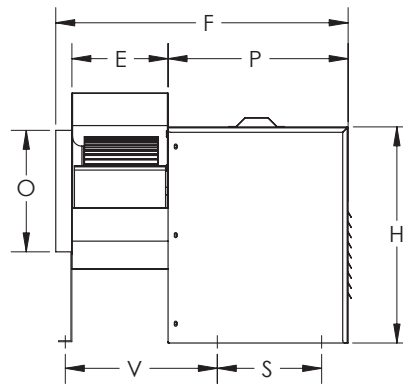
Dimensions

Part #	A (")	B (")	D (")	E (")	F (")	G (")	H (")	J (")	K (")	L (")	M (")	N (")	O (")	P (")	R (")	S (")
AB-8887405	14 1/4	6 5/16	10 1/4	7 3/16	11 5/8	8 5/8	8 3/16	11 11/16	8 7/8	11 3/4	3/4	3/4	9	9 5/16	1 1/2	7/16
AB-8887415	17 1/4	8	10 1/4	9 1/2	14	10 1/8	10 1/2	14 5/8	11 3/4	14 1/2	3/4	3/4	10	11 5/8	1 1/2	7/16
AB-8887425	19 1/8	9	11 3/8	9 1/2	14	11 1/4	10 1/2	16 1/4	13 1/2	16 1/4	3/4	3/4	12	11 5/8	1 1/2	7/16
AB-8887435	22 1/4	10 3/4	13 1/2	9 1/2	14	13	10 1/2	19 5/8	16 1/4	19	3/4	3/4	14	11 5/8	1 1/2	7/16
AB-8887445	25 3/4	12 1/8	15 7/8	12 1/2	17 3/8	15	13 1/2	23 1/4	19 1/4	22	3/4	1	17	14 1/2	1 1/2	7/16

Utility Blowers

Features

- Comes in standard top horizontal discharge
- Can be field rotated to 8 different positions
- Keywayed shaft w/ pillow block bearings
- Weather proof drive and motor compartment removes for easy access



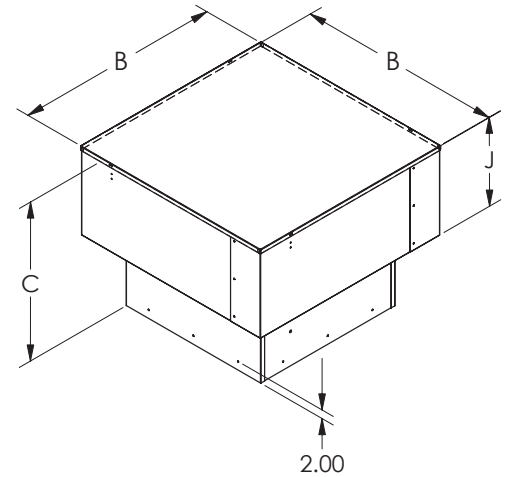
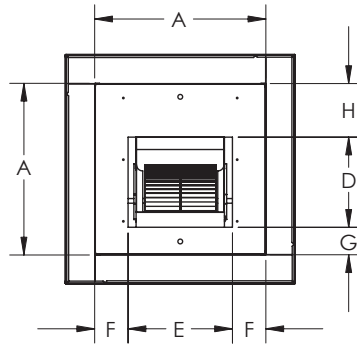
Part #	Shaft Dia (")	Wheel Part #	Wheel Dia (")	Wheel Length (")	Model Reference
AB-8887605	3/4	AB-4829801	10 3/4	7 1/4	610
AB-8887615	3/4	AB-4829791	12	7 1/4	612
AB-8887625	1	AB-4829831	15	9	615

Dimensions

Part #	AT (")	D (")	E (")	F (")	G (")	H (")	K (")	L (")	M (")	N (")	O (")	P (")	S (")	T (")	V (")
AB-8887605	24 3/4	11 3/8	9 3/16	29 1/16	15 1/16	21 5/16	13 3/16	16 1/4	1 3/8	3/4	12	17 3/4	11 1/2	11 3/8	-
AB-8887615	26 9/16	13 7/16	9 3/16	29 1/16	15 1/16	21 5/16	13 3/16	19 1/2	2 1/2	3/4	14	17 3/4	11 1/2	11 3/8	-
AB-8887625	36 3/4	17	12 1/2	35 7/8	20 1/16	29 1/8	16 9/16	25 15/16	3 1/8	1	17	21 1/8	11 1/2	14 3/4	15 5/8

Fresh Air Supply Features

- Ball bearings
- Permanent Washable filters
- Insulated top
- Grey enamel finish on galvanized steel
- Latched top cover

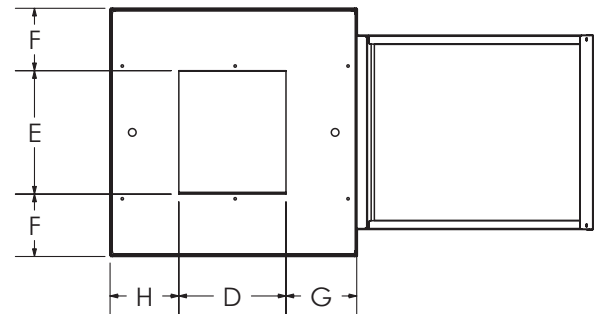
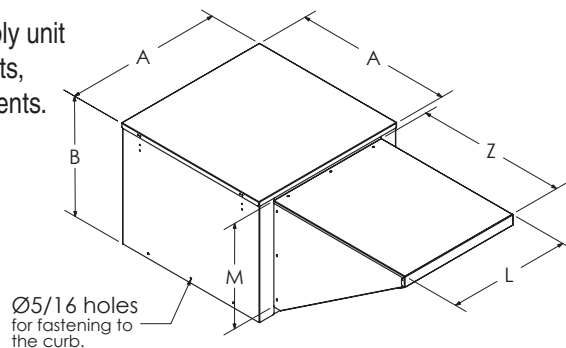


Part #	Shaft Dia (")	Replacement Filter #	Filters (x4)	Model Reference
AB-8887705	3/4	AB-8947191	10x20	FA-709
AB-8887715	3/4	AB-8947201	12x24	FA-710
AB-8887725	3/4	AB-8947211	16x25	FA-712
AB-8887735	1	AB-8947211	16x25	FA-715
AB-8887745	1	AB-8947261	20x28	FA-718

Part #	Dimensions									Inside Cabinet (")
	A(")	B(")	C(")	D(")	E(")	F(")	G(")	H(")	J(")	
AB-8887705	24 3/8	32 3/8	24 3/8	10 1/4	11 13/16	6 9/32	7 1/16	7 1/16	10 1/4	24x24
AB-8887715	28 3/8	38 1/2	28 1/4	11 3/8	13 1/8	7 5/8	8 1/2	8 1/2	12 1/4	28x28
AB-8887725	32 3/8	42 5/8	31 3/8	13 7/16	15 5/8	8 3/8	9 15/32	9 15/32	16 1/2	32x32
AB-8887735	32 3/8	42 5/8	31 3/8	15 7/8	18 5/8	6 7/8	6 1/4	10 1/4	16 1/2	32x32
AB-8887745	36 3/8	48 5/16	37 1/4	18 7/8	21 7/8	7 1/4	6	11 1/2	20 3/4	36x36

Side Intake Fresh Air Supply Features

- Fresh air filtered supply unit
- Suitable for restaurants, schools and appartments.
- Ball bearing
- Belt Drive

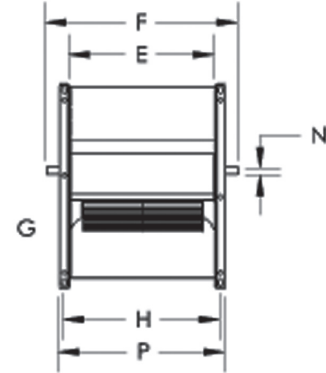
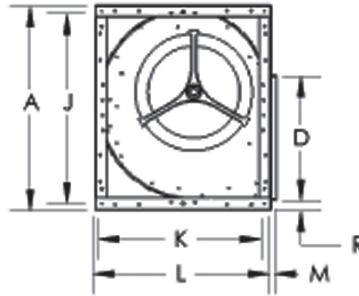


Part #	Shaft Dia (")	Dimensions									Inside Cabinet (")	Model Reference	
		A(")	B(")	D(")	E(")	F(")	G(")	H(")	L(")	M(")			Z(")
AB-8887505	3/4	24 3/8	19 3/8	10 1/4	11 13/16	6 9/32	7 1/16	7 1/16	19 1/4	16 9/16	21 1/4	24x24	SIS-9
AB-8887515	3/4	28 3/8	21 3/8	11 3/8	13 1/8	7 5/8	8 1/2	8 1/2	20 1/2	18 9/16	25 3/4	28x28	SIS-10
AB-8887525	3/4	32 3/8	24 5/8	13 7/16	15 5/8	8 1/6	9 3/8	9 3/8	25 3/8	21 9/16	30 3/4	32x32	SIS-12
AB-8887535	1	36 3/8	28 3/8	15 7/8	18 5/8	8 1/2	7 3/4	12 5/16	31 3/16	25 13/16	33 1/2	36x36	SIS-15
AB-8887545	1	36 3/8	42 1/2	18 7/8	21 7/8	7 1/4	6	11 1/2	35 5/8	32 11/16	40 1/4	36x36	SIS-18

Universal Blowers

Features

- Universal welded frame allows for 4 mounting positions
- Motor mount bracket and hardware included
- Ball bearing, belt drive blower
- General purpose air movement



Part #	Shaft Dia (")	Wheel Dia (")	Wheel Width (")	Model Reference
AB-8887805	3/4	10 1/4	9 9/16	809
AB-8887815	3/4	11 9/16	10 13/16	810
AB-8887825	1	12 7/8	12 13/16	812
AB-8887835	1	15 1/2	15 1/16	815

Dimensions

Part #	A (")	D (")	E (")	F (")	G (")	H (")	J (")	K (")	L (")	M (")	N (")	P (")	R (")
AB-8887805	17 1/4	10 1/4	11 13/16	16 5/16	10 1/8	12 15/16	14 1/2	11 3/4	14 1/2	3/4	3/4	13 15/16	1 1/2
AB-8887815	19 1/8	11 3/8	13 1/8	18 1/4	11 1/4	14 1/4	16 1/2	13 3/8	16 1/4	3/4	3/4	15 1/4	1 1/2
AB-8887825	22 1/4	3 7/16	15 5/8	20 3/4	13	16 3/4	19 5/8	16 1/4	19	3/4	1	17 3/4	1 1/2
AB-8887835	26	15 7/8	18 5/8	25	15 1/4	19 3/4	23 3/8	19 3/8	22 1/8	3/4	1	20 3/4	1 1/2

Miscellaneous Replacement Blowers

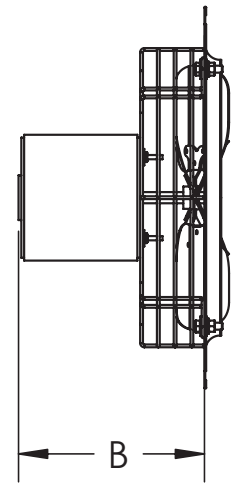
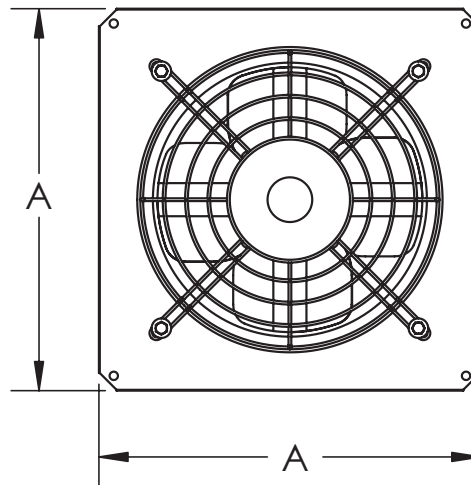
Part #	Description	Replacement Wheel #	Replacement Motor #
AB-7818852	Dock Seal Blower	66-4819745	AB-7627761
Part #	Description	Replacement Wheel #	Replacement Motor #
AB-7817825	Draft Inducer w/ 1 Tap & 4 Mounting Holes	66-4015441	AB-7627601
AB-7817835	Draft Inducer w/ 2 Taps & Mounting Backplate	66-4015441	AB-7627421

Miscellaneous Replacement Parts

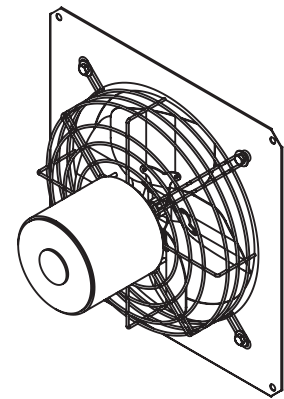
Part #	Description	Size
67-9967862	Bearing Pack - 2 sets of bearings, collars & washers	2 x 3/4
67-6969002	Ball Bearing Pack - 2 sets of bearings & grommets	2 x 3/47
67-6959002	Motor Adjusting leg	-

Panel Fans

- Designed for general ventilation
- Wall mounted, sturdily constructed direct drive horizontal discharge fan
- Standard heavy duty motor mount / fan guard
- Single and two speed motors available
- Motors are totally enclosed, ball bearing with overload protection
- Optional speed controls
- Optional dampers

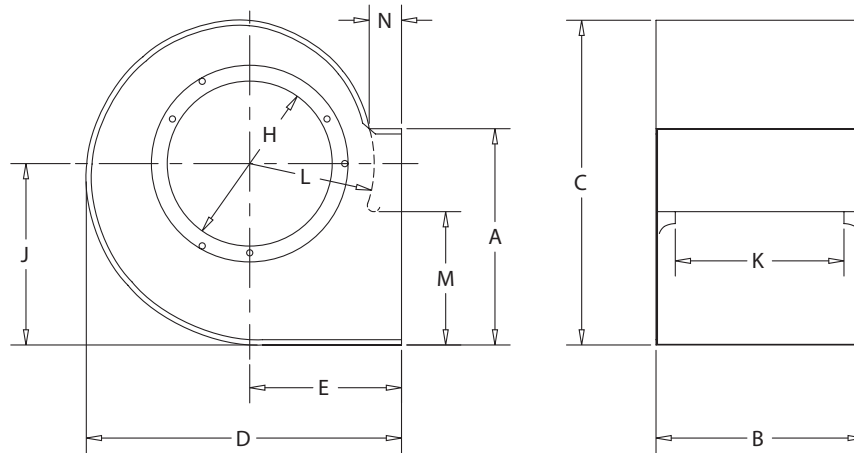


Part #	A(")	B(")	Optional Damper #	Fan Model Reference	Damper Model Reference
AB-8887855	17	9	AB-8887755	PF12-1	PF12D
AB-8887865	18 3/4	9	AB-8887765	PF14-1	PF14D
AB-8887875	20 3/4	9	AB-8887775	PD16-1	PF16D
AB-8887885	22 3/4	9	AB-8887785	PF18-1	PF18D
AB-8887955	17	11	AB-8887755	PF12-2	PF12D
AB-8887965	18 3/4	11	AB-8887765	PF14-2	PF14D
AB-8887975	20 3/4	11	AB-8887775	PF16-2	PF16D
AB-8887985	22 3/4	11	AB-8887785	PF18-2	PF18D



Part #	Wall Opening	Blade Dia(")	Motor Speed	Motor RPM	Motor HP	Volts	CFM @ Free Air	CFM @ 1/8 in.wg	CFM @ 1/4 in.wg
AB-8887855	14x14	12	One	1700	1/4	115/230	1655	1560	1440
AB-8887865	16x16	14	One	1700	1/4	115/230	2170	1980	1930
AB-8887875	18x18	16	One	1700	1/4	115/230	2550	2410	2250
AB-8887885	20x20	18	One	1700	1/4	115/230	3165	2920	2600
AB-8887955	14x14	12	Two	1725/1140	1/4	115	1670/1100	1575/900	1450/625
AB-8887965	16x16	14	Two	1725/1140	1/4	115	2190/144	2000/1300	1950/850
AB-8887975	18x18	16	Two	1725/1140	1/4	115	2580/1770	2430/1560	2270/1020
AB-8887985	20x20	18	Two	1725/1140	1/4	115	3200/2130	2950/1960	2625/1750

Belt Drive Furnace Blowers



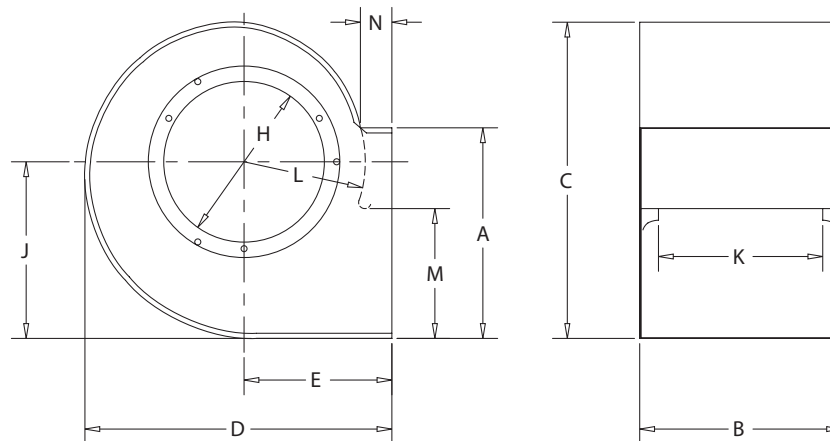
Sleeve Bearing

Part #	Bearing	Shaft Dia (")	Dimensions											Model Reference
			A (")	B (")	C (")	D (")	E (")	H (")	J (")	K (")	L (")	M (")	N (")	
AB-6010012	SLV	3/4	10 15/16	9 3/16	15 7/16	14 15/16	7 3/16	7 13/16	8 5/8	7 3/8	5 1/2	6 5/16	1 1/2	BC-916-704-5
AB-6010032	SLV	3/4	10 15/16	11 13/16	15 7/16	14 15/16	7 3/16	7 13/16	8 5/8	10	5 1/2	6 5/16	1 1/2	BC-916-916-5
AB-6010102	SLV	3/4	11 3/8	10 1/2	17 13/32	16 9/16	7 15/16	8 13/16	9 5/8	8 1/2	6 3/16	7	1 1/2	BC-1020-800-5
AB-6010042	SLV	3/4	11 3/8	13 1/8	17 13/32	16 9/16	7 15/16	8 13/16	9 5/8	11 1/8	6 3/16	7	1 1/2	BC-1020-1020-5
AB-6010152	SLV	3/4	13 7/16	12 1/4	20 1/2	19 3/8	9 1/8	10 3/8	11 15/32	10	7 5/16	8 3/8	1 1/2	BC-1220-916-5
AB-6010162	SLV	3/4	13 7/16	15 5/8	20 1/2	19 3/8	9 1/8	10 3/8	11 15/32	13 3/8	7 5/16	8 3/8	1 1/2	BC-1220-1220-5

Ball Bearing

Part #	Bearing	Shaft Dia (")	Dimensions											Model Reference
			A (")	B (")	C (")	D (")	E (")	H (")	J (")	K (")	L (")	M (")	N (")	
AB-6010222	BALL	3/4	10 15/16	9 3/16	15 7/16	14 15/16	7 3/16	7 13/16	8 5/8	7 3/8	5 1/2	6 5/16	1 1/2	BC-916-704-5
AB-6010242	BALL	3/4	10 15/16	11 13/16	15 7/16	14 15/16	7 3/16	7 13/16	8 5/8	10	5 1/2	6 5/16	1 1/2	BC-916-916-5
AB-6010022	BALL	3/4	11 3/8	10 1/2	17 13/32	16 9/16	7 15/16	8 13/16	9 5/8	8 1/2	6 3/16	7	1 1/2	BC-1020-800-5
AB-6010052	BALL	3/4	11 3/8	13 1/8	17 13/32	16 9/16	7 15/16	8 13/16	9 5/8	11 1/8	6 3/16	7	1 1/2	BC-1020-1020-5
AB-6010232	BALL	3/4	13 7/16	15 5/8	20 1/2	19 3/8	9 1/8	10 3/8	11 15/32	13 3/8	7 5/16	8 3/8	1 1/2	BC-1220-1220-5
AB-6010172	BALL	1	15 7/8	18 5/8	24 1/4	22 11/16	10 1/2	12 5/8	13 1/2	15 1/2	9	9 3/4	1 1/2	BC-15-15
AB-6010182	BALL	1	18 7/8	21 7/8	29 3/16	27	12 3/8	15 1/2	16 5/8	18 1/2	11	11 3/4	1 1/2	BC-18-18

Direct Drive Furnace Blowers



Part #	Size	Dimensions										Model Reference	
		A(")	B(")	C(")	D(")	E(")	H(")	J(")	K(")	L(")	M(")		N(")
AB-6010122	9-4	10 15/16	6 13/16	15 7/16	14 15/16	7 3/16	7 13/16	8 5/8	5	5 1/2	6 5/16	1 1/2	DC-916-416-5
AB-6010112	9-6	10 15/16	8 1/4	15 7/16	14 15/16	7 3/16	7 13/16	8 5/8	6 7/16	5 1/2	6 5/16	1 1/2	DC-916-600-5
AB-6010252	9-7	10 15/16	9 3/16	15 7/16	14 15/16	7 3/16	7 13/16	8 5/8	7 3/8	5 1/2	6 5/16	1 1/2	DC-916-704-5
AB-6010132	9-9	10 15/16	11 13/16	15 7/16	14 15/16	7 3/16	7 13/16	8 5/8	10	5 1/2	6 5/16	1 1/2	DC-916-916-5
AB-6010082	10-8	11 3/8	10 1/2	17 13/32	16 9/16	7 15/16	8 13/16	9 5/8	8 1/2	6 3/16	7	1 1/2	DC-1020-800-5
AB-6010062	10-10	11 3/8	13 1/8	17 13/32	16 9/16	7 15/16	8 13/16	9 5/8	11 1/8	6 3/16	7	1 1/2	DC-1020-1020-5
AB-6010092	12-9	13 7/16	12 1/4	20 1/2	19 3/8	9 1/8	10 3/8	11 15/32	10	7 5/16	8 3/8	1 1/2	DC-1220-916-5
AB-6010072	10-10	11 3/8	13 1/8	15 3/8	15	7 15/16	8 13/16	8 27/32	11 1/16	6 3/8	7	1 1/4	DCT-1020-1020-5
AB-6010192	12-11	13 1/2	13 7/8	17 1/2	16 25/32	8 1/32	10 3/8	10 1/32	11 9/16	7	7 5/16	1 5/8	DCT-1220-1104-5

Direct & Direct Drive Furnace Blower Wheels

Direct Drive Blower Wheels

Part #	Diameter(")	Width(")	Bore Size(")
66-5705492	9 1/2	4 1/2	1/2
66-5705502	9 1/2	6	1/2
66-5705412	9 1/2	7 1/8	1/2
66-5705422	9 1/2	9 1/2	1/2
66-5705432	10 5/8	8	1/2
66-5705442	10 5/8	10 5/8	1/2
66-5814282	10 5/8	10 5/8	1
66-5014961	12	9	1/2
66-5015001	12	11 1/8	1/2

Belt Drive Blower Wheels

Part #	Diameter(")	Width(")	Bore Size(")
66-5014652	9 1/2	7 1/8	3/4
66-5014662	9 1/2	9 1/2	3/4
66-5014672	10 5/8	8	3/4
66-5014682	10 5/8	10 5/8	3/4
66-5705452	12 3/4	12 3/4	3/4
66-5705462	12 3/4	9 1/2	3/4
66-5705482	15 1/2	15 1/16	1

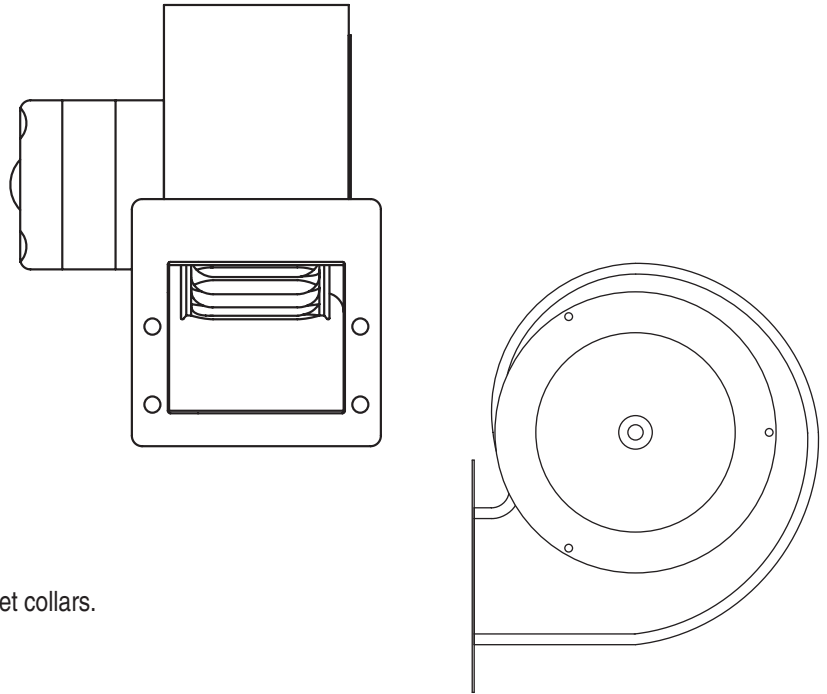
Air Make-Up Units

Application

- Available in a wide range of sizes handling 75 c.f.m. to 1100 c.f.m.
- Designed to use as Air Replacement and Air Make-Up Units, for permanent installation.
- To exhaust foul air and replace with fresh outside air.
- By drawing on its wide range of tooled, standard parts, Airdex engineers can design a blower to meet your specific needs whether high or low air flow. AC motors, high or low resistance, single or double inlet.

Features

- 115 Volt, 60 Hz
- Thermal overload protection
- Conduit wiring box
- Permanently lubricated bearings
- Horizontal or vertical operation
- Counter clockwise rotation drive side
- AMU 245, 400, 525, 625, 845 and 1100 supplied with inlet collars.
- Sleeve bearings with oilers

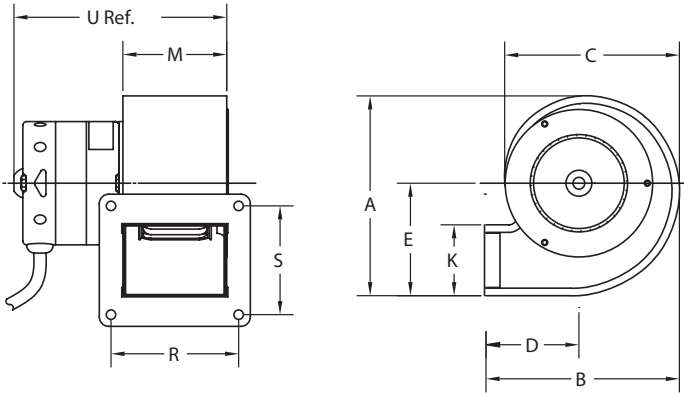


Part #	CFM	HP	Inlet Screen	Replacement Wheel #	Replacement Motor #	Model Reference
AB-7017060	75	1/60	Yes	66-4015201	AB-7627151	AMU 75
AB-7017080	130	1/70	No	66-4015011	AB-7627051	AMU 130
AB-7017340	160	-	No	66-4818185	AB-7629051	AMU 160 (Dayton 4C458)
AB-7017100	245	1/30	No	66-4015022	AB-7627691	AMU 245
AB-7017300	265	-	No	66-4818181	AB-7627211	AMU 265 (Dayton 4C447)
AB-7017120	400	1/12	No	66-4015062	AB-7627071	AMU 400
AB-7017320	465	1/4	No	66-4825211	AB-7627201	AMU 465 (Dayton 4C448)
AB-7017140	525	1/4	No	66-4015071	AB-7627141	AMU 525
AB-7017160	625	1/4	No	66-4015081	AB-7627141	AMU 625
AB-7017180	845	1/2	No	66-4015101	AB-7627031	AMU 845
AB-7017200	1100	1/3	No	66-4015112	AB-7629041	AMU 1100

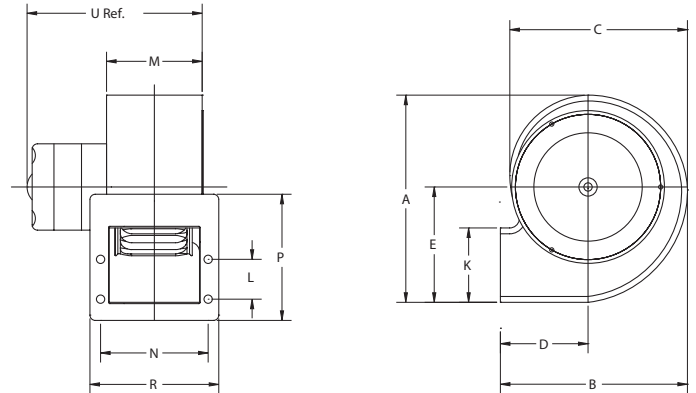
Dimensions

Part #	A(")	B(")	C(")	D(")	E(")	K(")	L(")	M(")	N(")	P(")	R(")	S(")	U(")	V(")	W(")	Y(")	Z(")
AB-7017060	5.34	5.17	4.68	2.50	3.02	1.92	-	2.75	-	-	3.38	2.88	5.35	-	-	-	-
AB-7017080	7.59	7.09	6.58	3.31	4.30	2.72	-	3.75	-	-	4.69	3.75	6.75	-	-	-	-
AB-7017340	7.80	7.08	6.69	3.34	4.34	2.80	1.50	3.60	4.05	4.75	4.85	-	6.40	-	-	-	-
AB-7017100	9.41	8.73	8.17	4.0	5.33	3.36	5.0	4.75	6.00	-	-	-	9.0	5.0	-	5.75	6.75
AB-7017300	9.93	9.00	8.46	3.90	5.55	3.75	4.37	4.22	4.87	5.0	5.00	-	7.65	-	-	-	-
AB-7017120	10.61	9.76	9.24	4.44	6.01	3.79	6.0	5.25	6.0	-	-	-	10.75	5.0	-	6.25	7.25
AB-7017320	9.93	9.00	8.46	3.90	5.55	3.75	4.37	8.12	8.82	5.00	9.40	4.41	9.56	-	-	-	-
AB-7017140	11.91	10.85	10.36	4.88	6.98	4.24	8.00	5.50	9.00	-	-	-	13.6	8.00	7.23	5.00	7.02
AB-7017160	11.91	10.85	10.36	4.88	6.98	4.24	8.00	6.00	9.00	-	-	-	14.1	8.00	7.23	5.00	7.02
AB-7017080	13.43	12.19	11.66	5.44	7.60	4.76	8.00	6.00	9.00	-	-	-	14.8	8.00	7.85	5.00	7.02
AB-7017200	16.85	14.62	14.06	6.34	9.51	6.28	9.00	7.00	9.00	-	-	-	16.6	8.00	9.81	5.00	7.02

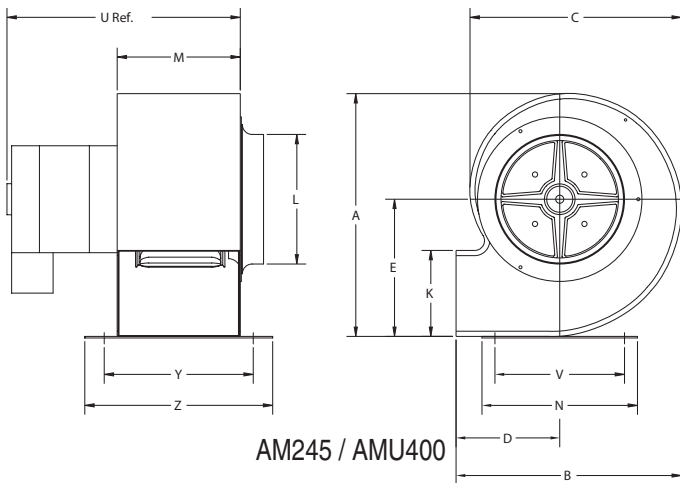
Air Make-Up Units - Dimensions



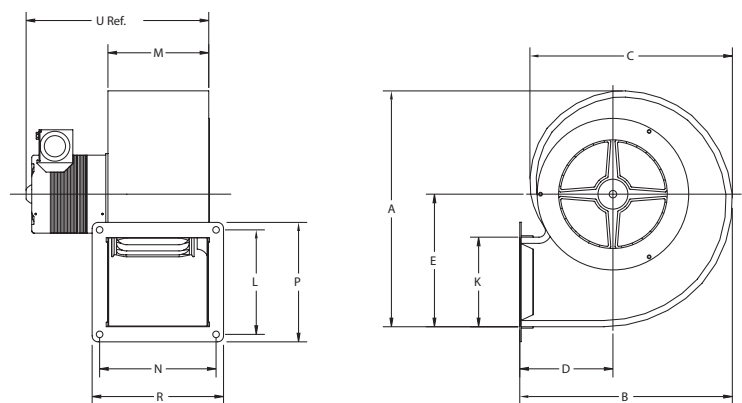
AMU75 / AMU130



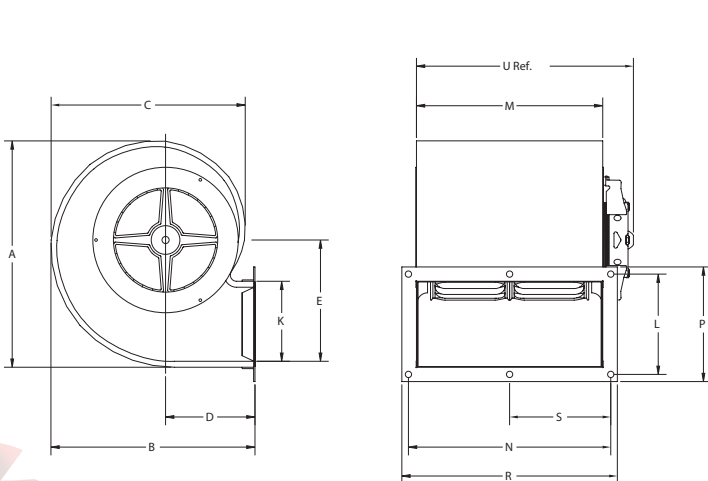
AMU160



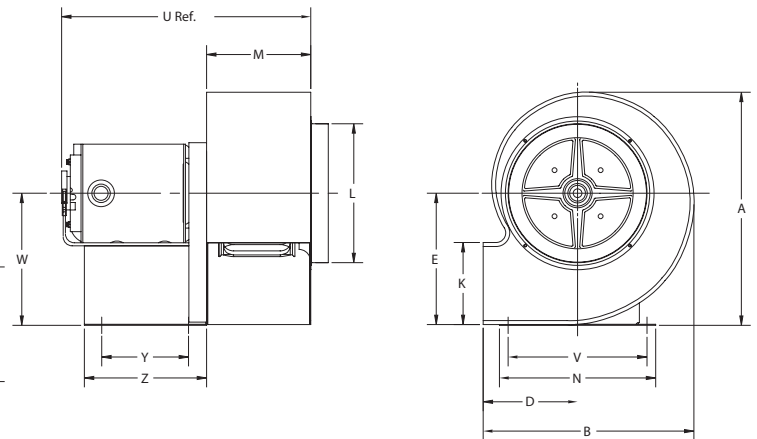
AM245 / AMU400



AMU265



AMU465



AMU525 / AMU625 / AMU845 / AMU1100