

**FLUSH VALVES**

**COMPLETE FLUSH VALVES FROM DELANY**



PART #  
92231000  
  
92231200  
  
92231600

**CLOSET**

DESCRIPTION  
Delany Flushboy model 402  
1" stop w/ 1-1/2" x 9" VB, 3.5 gpf  
Delany Flushboy 1" stop w/ 1-  
1/2" x 9" vacuum breaker, 1.6 gpf  
Delany Flushboy valve only  
for 1" stops. Valve less stop  
and vacuum breaker



**URINAL**

PART # DESCRIPTION  
92231100 Delany Flushboy model 451  
3/4" stop w/ 3/4"x 9" VB, 1.5 gpf  
92231700 Delany Flushboy model 451  
Valve only, valve less stop  
and vacuum breaker



**URINAL**

PART # DESCRIPTION  
92231250 Delany Flushboy model 452  
1" stop w/ 1-1/4" x 9" VB



**DELANY IMPULSE RETROFIT**

PART # DESCRIPTION  
92231190 Retrofit for Delany valves  
with 3/4" stops - 1.0/1.5  
92231290 Retrofit for Delany  
commode - 3 gallon  
92231390 Retrofit for Delany 452  
urinal & 4.5 GPF commode  
92231590 Delany Retrofit for Sloan 186 valves  
92231690 Delany Retrofit for Sloan 110 valves  
92231490 Delany Remote control - for setting valves



**COMPLETE FLUSH VALVES FROM TOTO**

**TOTO SENSOR FLUSH VALVES**

PART # DESCRIPTION  
92753235 Battery operated closet sensor flush valve with  
mechanical override. 3.5 gpf, 1-1/2" x 9" vacuum  
breaker, 1" angle stop  
92751235 Battery operated closet sensor flush valve with  
mechanical override. 1.6 gpf, 1-1/2" x 9" vacuum  
breaker, 1" angle stop  
92751035 Battery operated urinal sensor flush valve.  
1.0 gpf, 3/4" x 9" vacuum breaker, 3/4" angle stop.  
No mechanical override.



92753235



92751035

**TOTO MANUAL FLUSH VALVES**

PART # DESCRIPTION  
92752004 1-1/2" x 9" vacuum breaker, 1" angle stop. 1.6 gpf  
closet  
92752006 1-1/2" x 9" vacuum breaker, 1" angle stop. 3.5 gpf  
closet  
92752008 3/4" x 9" vacuum breaker, 3/4" angle stop. 1.0 gpf  
urinal



92752004



92752008



**INTERNET INQUIRIES AND ORDERS CALL US TOLL FREE 877-258-2572**  
**www.plumbingspecialties.com**

# FLUSH VALVES

## COMPLETE FLUSH VALVES FROM SLOAN

### SLOAN ROYAL FLUSHOMETER

PART #	DESCRIPTION
91780100	Model 110, 1" stop. 1-1/2" x 9" vacuum breaker, 3.5 gpf, closet
91780120	Model 111, 1" stop. 1-1/2" x 9" vacuum breaker, 1.6 gpf, closet
91780200	Model 180, 1" stop. 1-1/4" x 9" vacuum breaker, 3.5 gpf, urinal
91780300	Model 186, 3/4" stop. 3/4" x 9" vacuum breaker, 1.5 gpf, urinal



### SLOAN REGAL PRO FLUSHOMETER

PART #	DESCRIPTION
91780110	Model 110, 1" stop. 1-1/2" x 9" vacuum breaker, 3.5 gpf, closet
91780125	Model 111, 1" stop. 1-1/2" x 9" vacuum breaker, 1.6 gpf, closet
91780210	Model 180, 1" stop. 1-1/4" x 9" vacuum breaker, 3.5 gpf, urinal
91780310	Model 186, 3/4" stop. 3/4" x 9" vacuum breaker, 1.5 gpf, urinal
91780101	Closet valve only
91780301	Urinal valve only



### SLOAN GEM 2 (PISTON VALVE)

PART #	DESCRIPTION
91780130	Model 111, 1" stop. 1-1/2" x 9" vacuum breaker, 1.6 gpf, closet
91780140	Model 180, 1" stop. 1-1/4" x 9" vacuum breaker, 1.0 gpf, urinal
91780150	Model 186, 3/4" stop. 3/4" x 9" vacuum breaker, 1.0 gpf, urinal



### SLOAN OPTIMA G2 PLUS

PART #	DESCRIPTION
91788110	Model 8110, 1-1/2" vacuum breaker. 3.5 gpf, battery operated sensor, closet
91788186	Model 8186, 3/4" x 9" vacuum breaker. 1.0 gpf battery operated sensor, urinal



### OPTIMA G2 RETROFIT CONVERSION KITS

PART #	DESCRIPTION
91780510	Closet kit for Sloan Royal or Regal
91780610	Urinal kit for Sloan Royal or Regal

Retrofit conversion kits are available for Delany & Zurn flush valves.



Conversion Kit shown installed on an existing Sloan Flushometer

### OPTIMA SMO CONVERSION KITS

PART #	DESCRIPTION
91780410	Side mount operator with override & metal cover for Sloan or Zurn
91780420	Same as above with CP plastic cover
91780450	Side mount operator with override & plastic cover for Sloan or Zurn
91780440	Side mount operator with override & metal cover for Sloan or Zurn
91780470	Side mount operator with override & plastic cover for Delany



Side mount operator units do not include a valve body, supply stop or vacuum breaker.

**INTERNET INQUIRIES AND ORDERS CALL US TOLL FREE 877-258-2572**  
[www.plumbingspecialties.com](http://www.plumbingspecialties.com)

# FLUSH VALVES

PART #	DESCRIPTION
92994300	Hydrotek Closet Sensor Flush 1" stop, 1-1/2"x 9" VB
92994302	Hydrotek Urinal Sensor Flush 3/4" stop, 3/4" x 9" VB
92994304	Hydrotek retrofit for Sloan – 1.6
92994306	Hydrotek retro fit for Delany – 1.6
92994308	Hydrotek retrofit for Sloan urinal – 1.0
92994310	Hydrotek retrofit for Delany urinal – 1.0

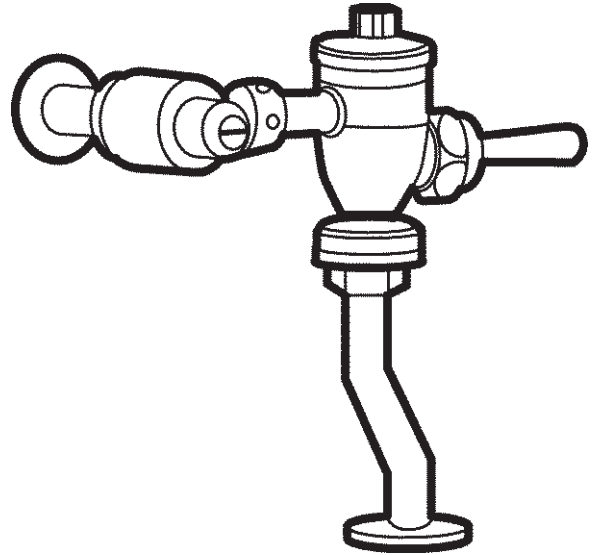
## HYDROTEK



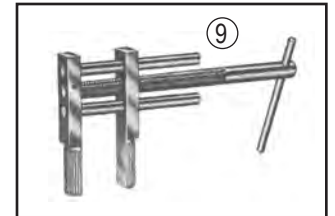
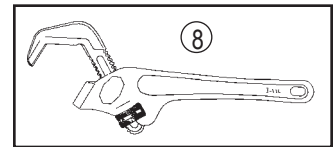
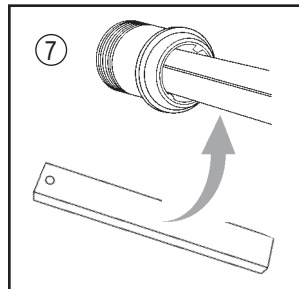
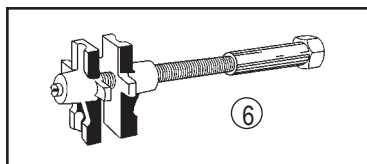
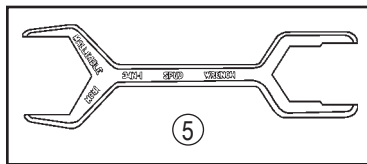
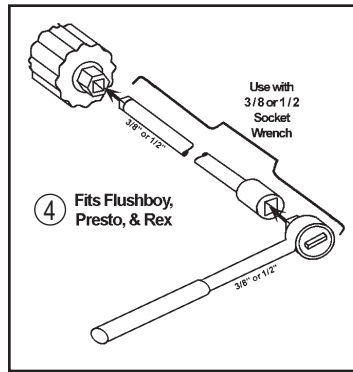
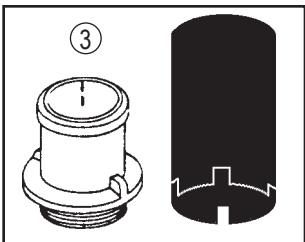
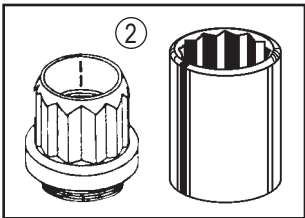
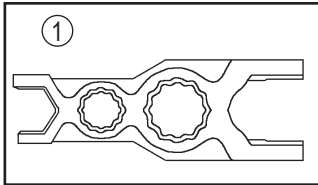
### MANSFIELD PISTON TYPE FLUSH VALVE

(Replaces Model 1075)  
3/4 GPF – 1/2"  
Full Port

PART # 91611075



### FLUSH VALVE TOOLS



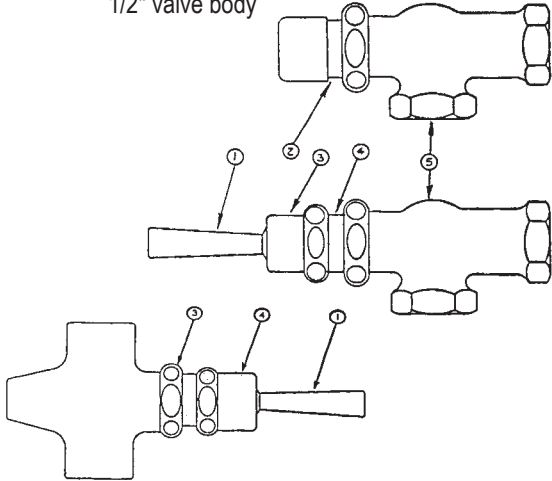
ITEM	PART #	DESCRIPTION
1	64789100	Sloan Super Wrench
	64969964	Sloan valve wrench, fits Royal A72 & A4 covers, coupling nuts (not shown)
2	92239962	Delany seat removal tool for Flushboy
3	92239964	Delany seat removal tool for Flushboy & Presto valves
4	92239965	Easy Out Delany main seat removal tool
5	64161522	3-IN-1 Outside spud wrench
6	64001510	Inside expansion wrench for spuds, basket strainers, pipe nipples 1/2", 3/4", 1", and larger
7	64789150	Tailpiece removal tool – fits Sloan, Delany & Zurn
8	64000110	Ridgid off set smooth jaw hex wrench
	64991000	Zurn wonder wrench
9	64322680	Adjustable spud wrench

**INTERNET INQUIRIES AND ORDERS CALL US TOLL FREE 877-258-2572**  
**www.plumbingspecialties.com**

# FLUSH VALVES

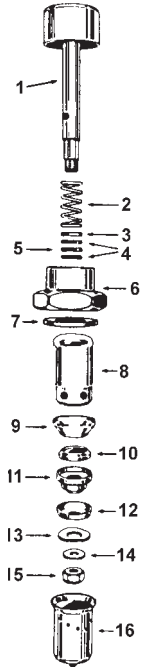
## CHICAGO FAUCET SELF-CLOSING URINAL VALVES MODEL 389 & 389 OH

ITEM	PART #	DESCRIPTION
1	03150506	Handle
2	03150370	Self-closing unit
3	03150505	Bonnet
4	03150504	Self-closing unit
5		1/2" valve body



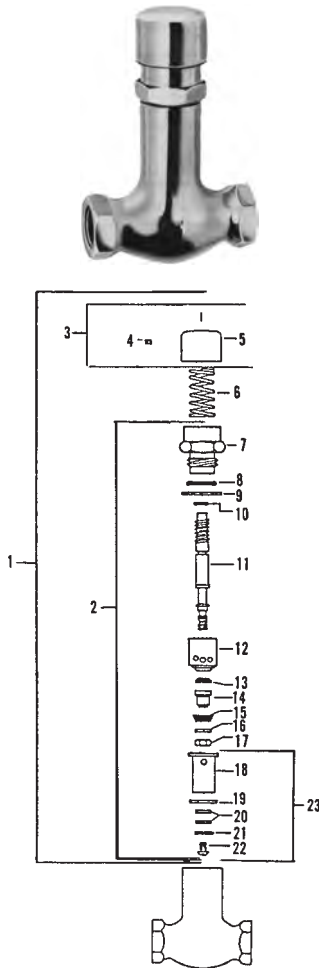
## CHICAGO FAUCET NAIAD SELF-CLOSING UNIT PARTS

ITEM	PART #	DESCRIPTION
1		Button & Stem assembly
2	03150510	Spring
3	03150344	Washer
4	03150360	O-Rings
5	03150350	Leather washer
6		Cap
7	03150200	Gasket
8		Sleeve
9	03150180	Seat
10	03150280	Washer
11	03150400	Retainer
12	03150440	Cup
13	03150430	Washer
14	03150190	Washer
15	03150442	Nut
16	03150460	Dash Pot



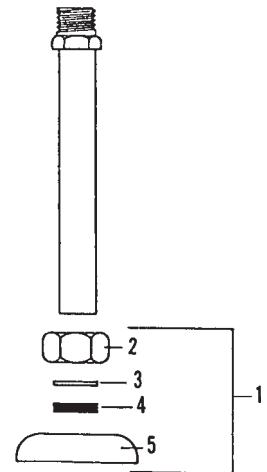
## CENTRAL BRASS 336 SLOW CLOSE VALVE

ITEM	PART #	DESCRIPTION
1	02150302	Slow close repair kit - plain
2	02150300	Stem & bonnet assembly
3	02150304	Cap - plain
4	02150010	Set screw 3/16" long
5		Cap - plain less set screw
6	02150350	Spring
7	02150330	Bonnet
8	41001004	O-ring
9	02150950	Gasket
10	41001016	O-ring
11		Stem
12	02150542	Sleeve
13	02150306	Seat washer
14	02150307	Seat washer holder
15	02150308	Cup washer
16	02150512	Washer
17	02150309	Hex nut
18		Dash pot
19		Gasket
20		Felt washer
21		Brass washer
22		Screw
23	02150340	Dash pot assembly
	40150336	Complete valve 3/8"
	40150335	Complete valve 1/2"



## URINAL NUT AND FLANGE ASSEMBLY

ITEM	PART #	DESCRIPTION
1	02151250	Flange and nut assembly
2	02151252	3/4" Spud coupling nut
3	02151254	Brass friction washer
4	91787008	3/4" Spud washer
5		Flange
1-5	40150342	3/8" Urinal nut & flange assembly
1-5	40150343	1/2" Urinal nut & flange assembly



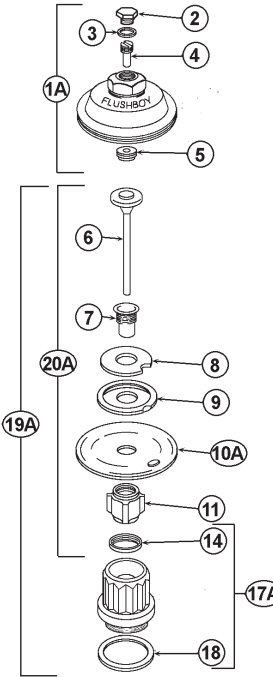
INTERNET INQUIRIES AND ORDERS CALL US TOLL FREE 877-258-2572  
www.plumbingspecialties.com

**FLUSH VALVES**

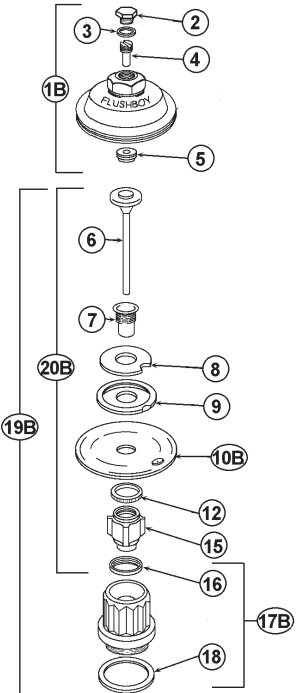
**DELANY FLUSHBOY RENEWAL PARTS**

ITEM	PART #	DESCRIPTION
1A	92231054	Cover assembly
1B	92233156	Cover assembly
1C	92233154	Cover assembly
1D	92233150	Cover assembly
2	92231022	Cover screw
3	92231020	Washer for cover screw (omitted in later production)
4	92231024	Regulating screw
5	92231036	Packing for cover
6	92231032	Auxiliary valve
7	92231030	Diaphragm bushing
8	92231028	Auxiliary valve seat
9	92231026	Auxiliary valve seat holder
10A	92231048	Diaphragm w/ auxiliary valve seat 4.5 gpf
	92401048	Diaphragm w/ auxiliary valve seat 4.5 gpf, non OEM
10B	92231130	Diaphragm w/ auxiliary valve seat 3.5 gpf
10C	92231140	Diaphragm w/ auxiliary valve seat 1.6 gpf
10D	92231050	Diaphragm w/ auxiliary valve seat 1.0 gpf
	92401050	Diaphragm w/ auxiliary valve seat 1.0 gpf, non OEM
11	92231060	Seat guide
12	92232020	Refill ring, 3.5/1.6
13	92231058	Seat guide
14	92231064	Choke ring 4.5 gpf valves
15	92232030	Seat guide, 3.5/1.6
16	92232040	Choke ring for main valve seat
17A	92231066	Main valve seat
17B	92233172	Main valve seat
17C	92233176	Main valve seat
18	92231034	Main valve seat washer
19A	92231044	Diaphragm operating assy 4.5 gpf
19B	92233162	Diaphragm operating assy 3.5 gpf
19C	92233164	Diaphragm operating assy 1.6 gpf
	92231085	Diaphragm operating assy 1.6 gpf, non OEM
19D	92231046	Diaphragm operating assy 1.0 gpf
	92231090	Diaphragm operating assy 1.0 gpf, non OEM
20A	92231045	Diaphragm operating assembly (less seat) 4.5 gpf
20B	92233164	Diaphragm operating assembly (less seat) 3.5 gpf
20C	92233168	Diaphragm operating assembly (less seat) 1.6 gpf
20D	92231047	Diaphragm operating assembly (less seat) 1.0 gpf
21	92233010	Auxiliary valve (for non hold open)
22	92231041	Handle
23	92231072	Handle nut
24	92233012	Operating stem (for non hold open, use w/ item 21)
25	92231070	Operating stem (overall length 1-7/8")
27	92001068	Flexer
28		Brass insert converter
29		KwikFit valve body
30	41001042	O-ring
31	92231006	Clamping ring
32	92231002	Clamping nut
33	92231004	KwikFit union tailpiece
34	92231003	Union nut
35	92231074	Handle assembly
36		KwikFit valve body assembly

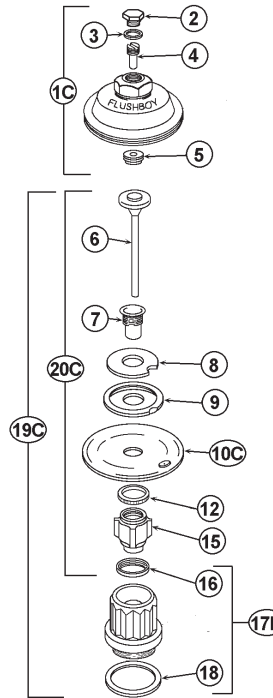
With "Turn-to-silence/ 4.5 gpf" on cover  
Valves with 1" supply



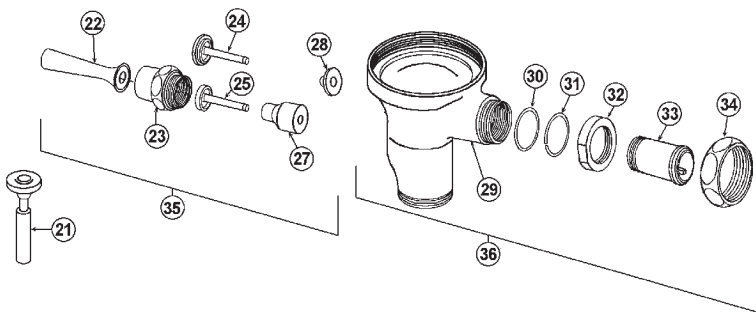
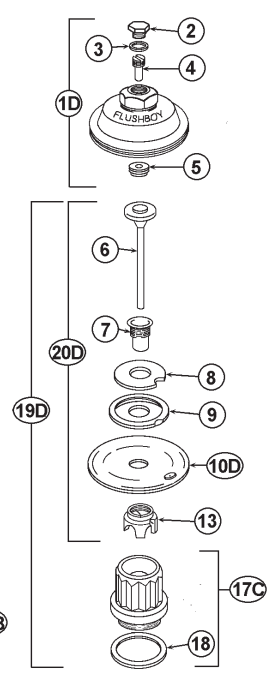
With "Water Saver/ 3.5 gpf" on cover  
Valves with 1" supply



With "1.6 gpf" on cover  
Valves with 1" supply



With "1.0 gpf" on cover  
Valves with 3/4" supply



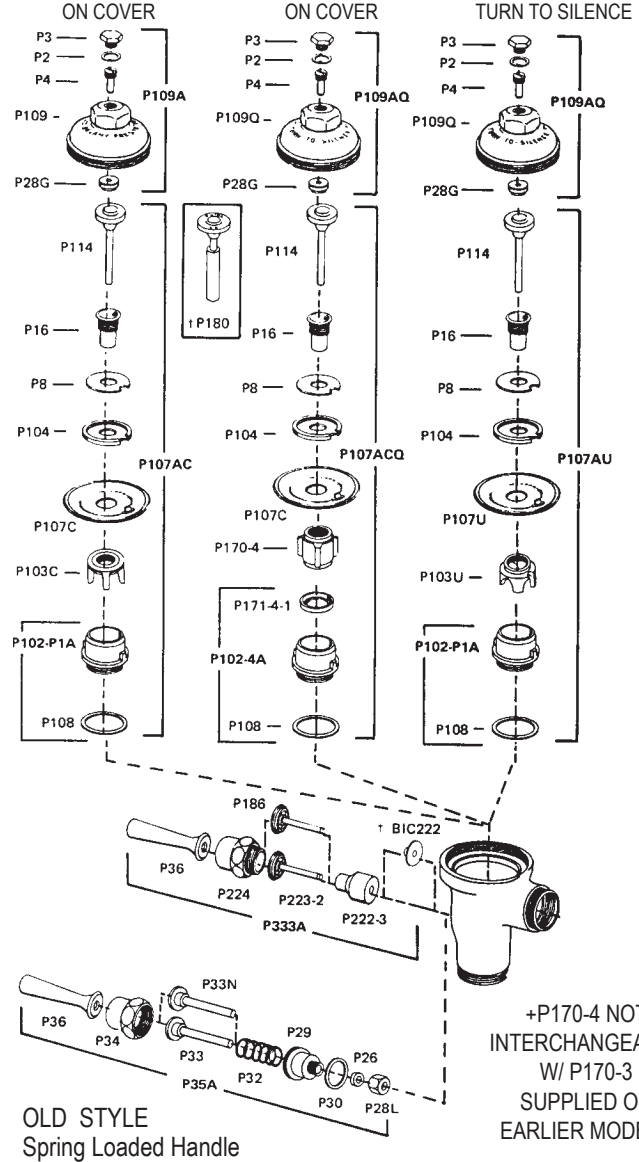
**INTERNET INQUIRIES AND ORDERS CALL US TOLL FREE 877-258-2572**  
**www.plumbingspecialties.com**

# FLUSH VALVES

## DELANY PRESTO FLUSH VALVE

PART #	OEM #	DESCRIPTION
92231071	BIC222	Brass insert converter
92231020	P2	Washer for cover screw
92231022	P3	Cover screw
92231024	P4	Regulating screw
92231028	P8	Auxiliary valve
92231030	P16	Diaphragm bushing
92231035	P26	Packing washer
	P29	Spring housing
92231038	P30	Coupling washer
	P32	Spring
	P33	Operating stem (1-29/32" long)
	P34	Handle nut
92231041	P36	Handle
92232003	P104	Seat holder
	P108	Main valve seat washer
	P109	Cover
92232006	P114	Auxiliary valve
92233014	P180	Auxiliary valve (non hold open)
92233016	P186	Operating stem (1-9/16" long) (for non hold open)
92231072	P224	Handle nut
92231040	P35A	Spring loaded handle assembly
	P109A	Cover Assembly
92232074	P333A	Rubber flex handle assembly
92238008	P107AC	Diaphragm operating assembly (valves w/ 1" or larger supply)
	P109AQ	Cover assembly (Turn to Silence valves)
92237008	P107AU	Diaphragm operating assembly (valves w/ 3/4" or smaller supply)
92237011	P107ACQ	Diaphragm operating assembly (valves w/ 1" supply or larger)
92238004	P103C	Seat guide (valves w/ 1" supply or larger)
92231036	P107C	Use 92002002 (see bottom of page)
	P28G	Packing for cover
	P28L	Packing nut
92237005	P33N	Operating stem (1-27/32" long)
	P109Q	Cover (for valves w/ Turn to Silence)
	P103U	Seat guide (valves w/ 3/4" supply)
	P107U	Use 92232004 (see bottom of page)
92238002	P102PIA	Main valve seat w/ P108 seat washer
92231060	P170-4	Seat guide (1" supply or larger)
92001068	P222-3	Flexer
92232008	P-223-2	Operating stem (1-11/16" long)
92232001	P102-4A	Main seat w/ P108 & P171-4-1
92231064	P171-4-1	Choke ring for main seat (Turn to Silence)
	KITS	
92002002		Closet kit (1 ea. P8, P107C)
92232004		Urinal kit (1 ea. P8, P170U)

VALVES W/ 1" SUPPLY W/OUT TURN TO SILENCE      VALVES -W/ 1" SUPPLY W/ TURN TO SILENCE      VALVES W/ 3/4" SUPPLY W/ OR W/OUT TURN TO SILENCE



## DELANY SPUD COUPLING & TAILPIECE PARTS

PART #	OEM#	DESCRIPTION
92231002	57	Clamping nut
92231003	58	Union nut
92231004	64	2" Union tailpiece
41001042	65	O-Ring
92231006	66	Clamping ring
92237002	375A	3/4" Spud nut w/ washer
92237003	381A	1-1/4" Spud nut w/ washer
92237004	386A	1-1/2" Spud nut w/ washer
92237504	302-1	3/4" Spud flange
92237508	306	1-1/2" Spud flange
92237505	307-1	1-1/4" Spud flange

PART #	OEM#	DESCRIPTION
92237503	300-1	1/2" Wall flange (1/2" IPS)
92237502	301-1	3/4" Wall flange (3/4" IPS)
92237506	303-1	1" Wall flange (1" IPS)

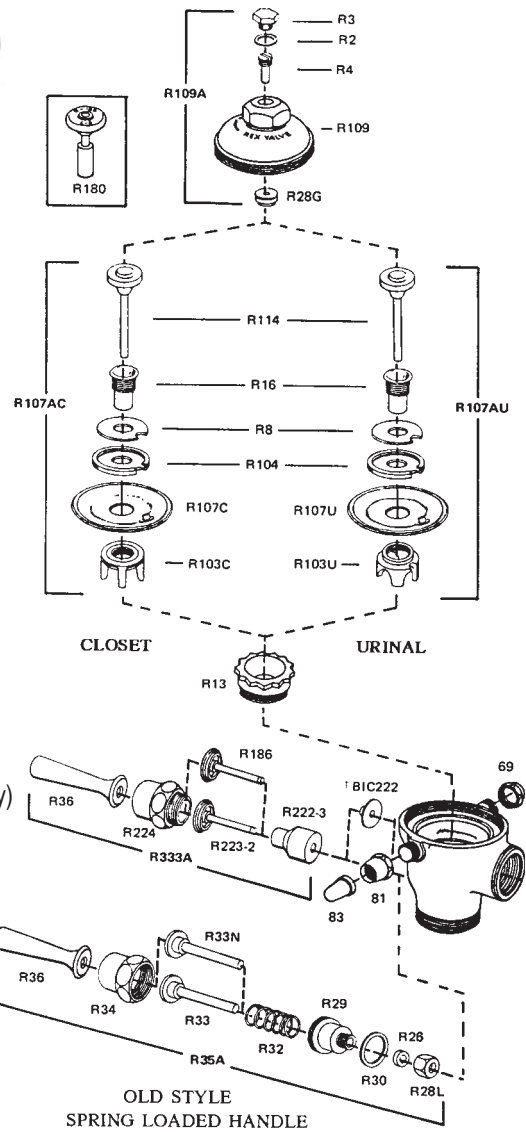
300-1  
301-1  
303-1

**INTERNET INQUIRIES AND ORDERS CALL US TOLL FREE 877-258-2572**  
**www.plumbingspecialties.com**

# FLUSH VALVES

## DELANY REX FLUSH VALVE

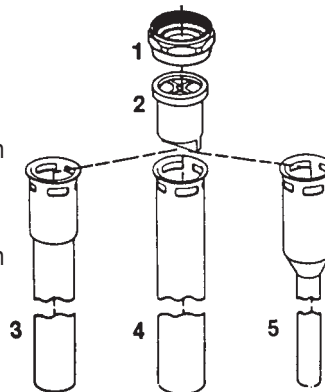
IMSCO #	OEM#	DESCRIPTION
92234008	69	Protecting cap
	81	Bumper holder
	83	Seat bumper
92231071	BIC222	Brass insert converter
92231020	R2	Washer for cover screw
92231022	R3	Cover screw
92231024	R4	Regulating screw
92231028	R8	Auxiliary valve seat
92238002	R13	Main valve seat
92231030	R16	Diaphragm bushing
92231035	R26	Packing washer
	R29	Spring housing
92231038	R30	Coupling washer
	R32	Spring
	R33	Operating stem ( 1-29/32" long)
	R34	Handle nut
92231041	R36	Handle
92232003	R104	Auxiliary valve seat holder
	R109	Cover
92232006	R114	Auxiliary valve
	R180	Auxiliary valve (non hold open)
92233012	R186	Operating stem (1-13/16" for non hold open)
92231072	R224	Handle nut
92231040	R35A	Spring loaded handle assembly
	R109A	Cover assembly
	R333A	Rubber flex handle assembly
92238008	R107AC	Diaphragm operating assembly (valves w/ 1" or larger supply)
92237008	R107AU	Diaphragm operating assembly (valves w/ 3/4" or smaller supply)
92238004	R103C	Seat guide, valves w/ 1" supply
	R107C	Use 92002002 (see bottom of listing)
92231036	R28G	Packing for cover
	R28L	Packing nut
	R33N	Operating stem (1-27/32" long) non hold open
92237005	R103U	Seat guide, valves w/ 3/4" supply
	R107U	Use 92232004 (see bottom of listing)
92001068	R222-3	Flexer
92001070	R223-2	Operating stem



KITS	
92002002	Closet kit (1 ea. R8, R107C)
92232004	Urinal kit ( 1ea. R8, R107U)

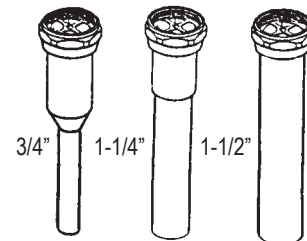
## DELANY VACUUM BREAKERS

ITEM	PART #	DESCRIPTION
1	92005502	Cowl nut
2	92005504	Rubber sleeve
3	92235506	1-1/4" x 9" Vented connection
	92235507	1-1/4" x 12" Vented connection
	92235509	1-1/4" x 15" Vented connection
	92235511	1-1/4" x 22-1/2" Vented connection
4	92235510	1-1/2" x 9" Vented connection
	92235512	1-1/2" x 12" Vented connection
	92235513	1-1/2" x 15" Vented connection
	92235515	1-1/2" x 22-1/2" Vented connection
5	92235508	3/4" x 9" Vented connection
	92235516	3/4" x 12" Vented connection
	92235514	3/4" x 15" Vented connection



## COMPLETE VACUUM BREAKERS

PART #	BREAKERS
91005514	3/4" x 9"
91005518	1-1/4" x 9"
92235520	1-1/4" x 22-1/2"
91005524	1-1/2" x 9"
92235522	1-1/2" x 12"
92235524	1-1/2" x 22-1/2"

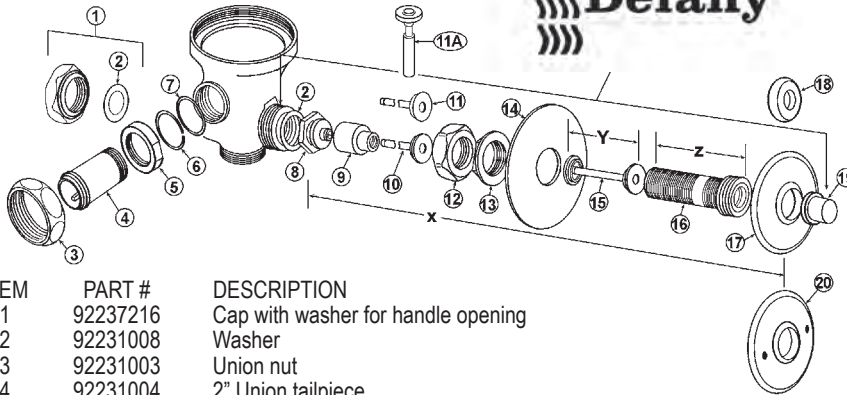


**INTERNET INQUIRIES AND ORDERS CALL US TOLL FREE 877-258-2572**  
[www.plumbingspecialties.com](http://www.plumbingspecialties.com)

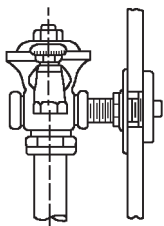


# FLUSH VALVES

## DELANY CONCEALED VALVE HANDLE PARTS



ITEM	PART #	DESCRIPTION
1	92237216	Cap with washer for handle opening
2	92231008	Washer
3	92231003	Union nut
4	92231004	2" Union tailpiece
5	92231002	Clamping nut
6	92231006	Clamping ring
7	41001042	O-ring
8	92237224	Wall sleeve bushing
9	92001068	Flexer
10	92231012	Operating stem 3-1/32" long
11	92231014	Operating stem 2-29/32" long
11A	92233010	Auxiliary valve – non hold open (use with item 11)
12	92237212	Coupling nut
13	92237210	Locknut
14	92237218	Bearing plate
15		Wall sleeve spacer (specify "Y" in inches)
16		Wall sleeve (specify "z" in inches)
17		Wall sleeve (for use w/ 1/2" push button – specify "z")
17	92231007	Wall flange (for use w/ disc handle or foot pedal)
18		Wall flange (for use with 1/2" button only)
19	92231010	Sink flange (for use w/ 1/2" button only)
20		1/2" push button use w/ concealed valves only
21		Wall flange (use w/ access panel)
		Handle assembly – specify 1/2" push button, 3" oscillating disc, pedal assembly or regular handle assembly. Specify CTFF*



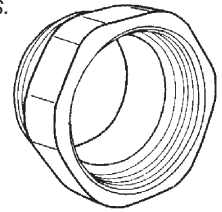
\*Standard CTFF (centerline of valve to finished face of wall) is 2-3/4" plus actual wall thickness rounded to next higher even inch. Special CTFF measurements available in 1/2" increments.

Example: 4" block wall + 2-3/4" = 6-3/4" CTFF

### GROUND JOINT ADAPTER

Adapts ground joint stops to valves with adjusting tailpieces.

PART # 92991250

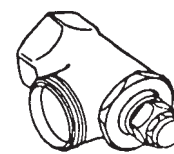


### PRISON WARE - CHINA AND STAINLESS STEEL FIXTURES

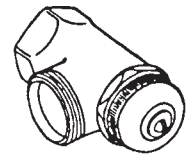


See our Security Fixtures & Repair Parts Catalog or call us with your requirements

### DELANY COMPLETE CONTROL STOPS



SCREWDRIVER OPERATED

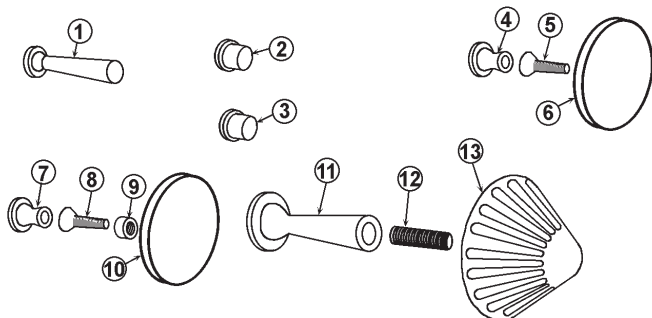


WHEEL HANDLE OPERATED

PART #	DESCRIPTION
92234100	3/4" Angle stop, SD
92234000	1" Turn-to-Silence angle stop, SD
92234105	1" Wheel handle angle stop
92234100	3/4" Turn-to-Silence angle stop

### DELANY ACTUATORS FOR FLUSHBOY VALVE

For use with both concealed and exposed valves, except as noted.



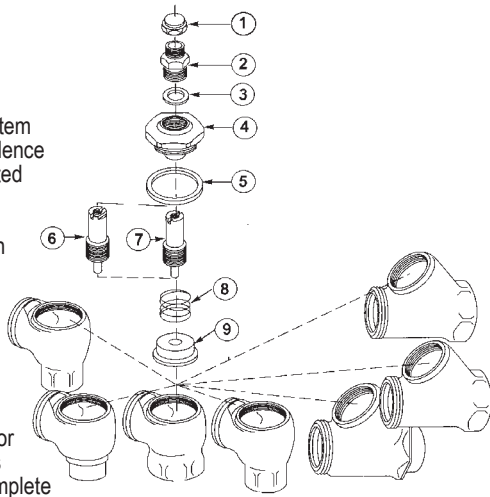
ITEM	PART #	DESCRIPTION
1	92231041	Handle
2		1/2" pushbutton for exposed valves
3	92231010	1/2" pushbutton for concealed valves
4		Holder for disc
5		Holder screw for disc
6		3" Oscillating disc
7		Holder for disc*
8		Holder screw for disc*
9		Retaining ring for holding screw
10		3" Oscillating disc*
11		Holder for foot pedal
12		Stud for foot pedal
13		Foot pedal

INTERNET INQUIRIES AND ORDERS CALL US TOLL FREE 877-258-2572  
[www.plumbingspecialties.com](http://www.plumbingspecialties.com)

# FLUSH VALVES

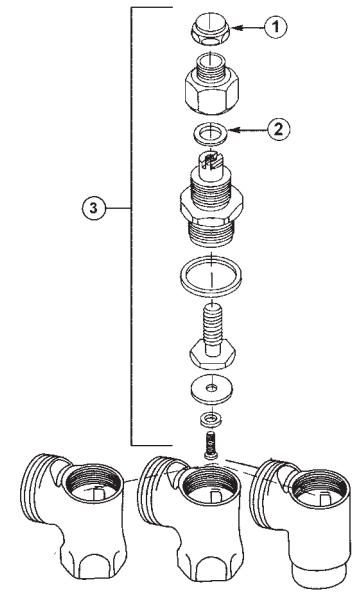
## DELANY CONTROL STOP PARTS – TURN-TO-SILENCE OR STRAIGHT STOPS

ITEM	PART#	DESCRIPTION
1	92234008	Protecting cap
2	92234010	Packing nut
3	92234006	Packing for shut off stem
4	92230951	Bonnet for Turn-to-Silence
5	92234007	Bonnet washer (omitted in later production)
6	92234005	Shut off stem Turn-to-Silence (supplied with wheel handle operating mechanism)
7	92234003	Shut off stem Turn-to Silence
8	92230966	Back check spring (added in later production)
9	92234002	Disc w/ metal insert for Turn-to-Silence stops
	92234004	Bonnet assembly complete



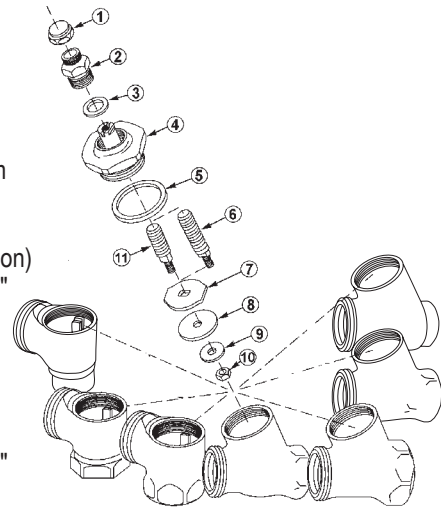
## DELANY CONTROL STOP PARTS (OBSOLETE) – 3/4" & 1/2" ANGLE STOPS

ITEM	PART#	DESCRIPTION
1	92234008	Protecting cap
2	92234006	Packing for shut off stem
3	92234012	Complete unit



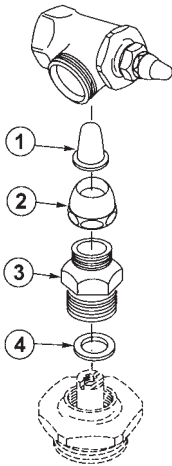
## DELANY CONTROL STOP PARTS – ANGLE OR STRAIGHT STOPS

ITEM	PART#	DESCRIPTION
1	92234008	Protecting cap
2	92234010	Packing nut
3	92234006	Packing for shut off stem
4	92230953	Packing nut
5	92234007	Bonnet washer (omitted in later production)
6	92230959	Male shut off stem 1-1/2"
7	92230958	Guide
8	92230962	Seat washer
9	92230960	Washer for shut off stem nut
10	92230964	Nut for shut off stem
11	92230957	Male shut off stem 1-1/4"

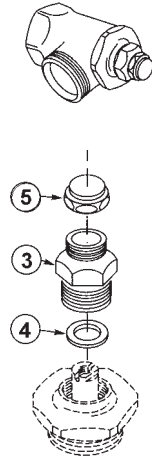


## OPERATING MECHANISM VARIATIONS

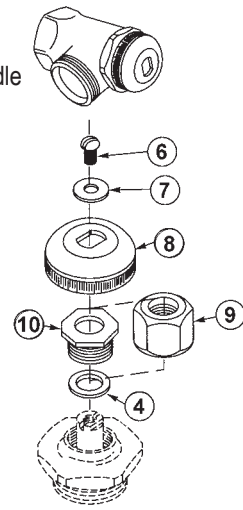
Screwdriver Operated with Seat Bumper



Screwdriver Operated with Protecting Cap



Wheel Handle Operated



ITEM	PART #	DESCRIPTION
1	92230982	Seat bumper
2	92230980	Bumper holder
3	92234010	Packing nut
4	92234006	Packing nut for shut off stem
5	92234008	Protecting cap
6	92230956	Screw for wheel handle
7	92230954	Washer for wheel handle
8	92230950	Wheel handle
9	92230970	Packing nut

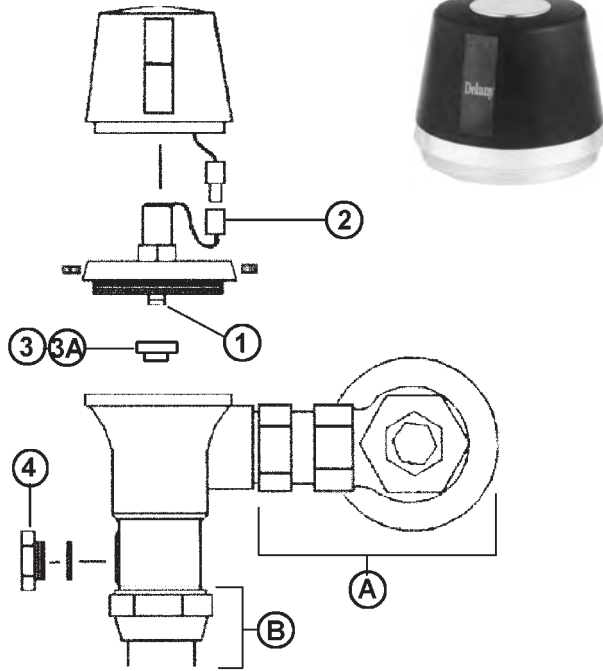
**INTERNET INQUIRIES AND ORDERS CALL US TOLL FREE 877-258-2572**  
[www.plumbingspecialties.com](http://www.plumbingspecialties.com)

**FLUSH VALVES**

**IMPULSE BY DELANY**

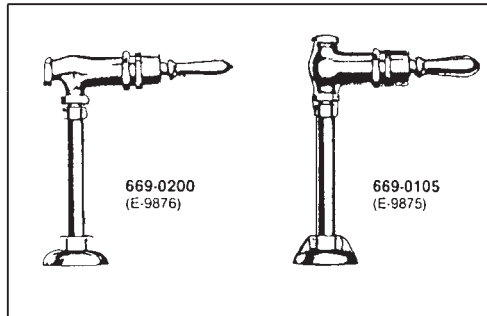
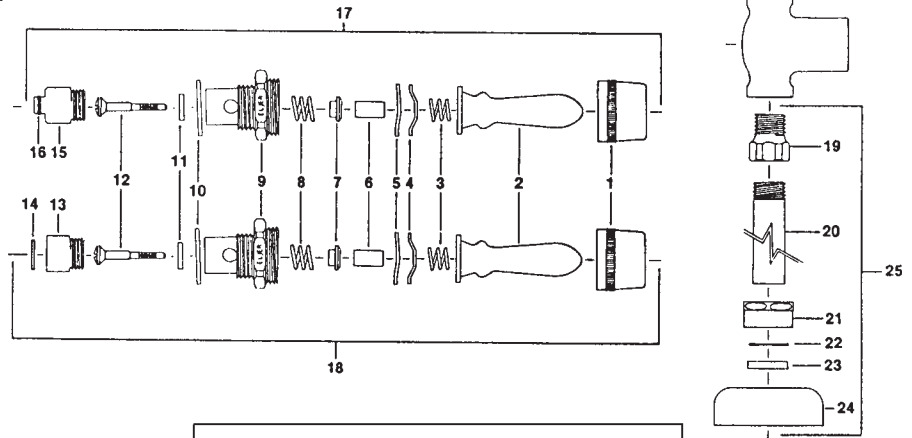
ITEM	PART #	DESCRIPTION
1	92231890	Cup washer
	92231895	Cup washer kit (includes cup washer retainer & cup washer) – not shown
2	92231800	Solenoid
3	92231030	Diaphragm bushing (DELANY units only)
3A	92231802	Diaphragm bushing (SLOAN units only)
4	92231804	Handle nut
	92231806	Handle nut (SLOAN units)
*	92231990	Lithium battery

A For Stop Repair Parts See DELANY Parts  
 B For Vacuum Breaker Parts See DELANY Parts



**ELJER URINAL VALVE (E-9875), (E-9876)**

ITEM	PART #	DESCRIPTION
1	06891678	Bonnet
2	06892032	Handle
3	06891122	Handle spring
4	06891119	Guide washer
5	06891126	Diaphragm
6	06891109	Push pin
7	06891108	Spring retainer
8	06891121	Relief valve spring
9		Valve cage
10	06891681	Leather gasket
11	06891683	Seat washer
12	06891676	Valve stem
13		Bushing (not available)
14	06891683	Seat washer
15		Bushing
16		O-Ring
17	06898500	Self-closing handle assembly - after 1971
18	*	Self-closing handle assembly - prior to 1971
19		Adapter
20		Tailpiece
21		Coupling nut
22		Friction ring
23		Slip joint gasket
24		Spud flange
25		Tailpiece assembly
		* Not available

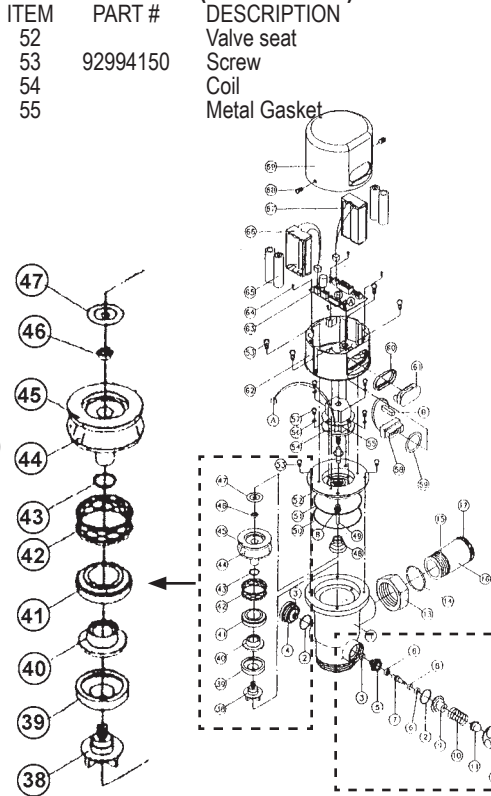


**INTERNET INQUIRIES AND ORDERS CALL US TOLL FREE 877-258-2572**  
[www.plumbingspecialties.com](http://www.plumbingspecialties.com)

# FLUSH VALVES

## HYDROTEK MODEL HB8RFKC RETROFIT FLUSH VALVE (NEW STYLE)

ITEM	PART #	DESCRIPTION
1		Body
2	92994010	O-ring
3	92994140	O-ring
4	92994020	Back cover
5		Seat
6		Seat rubber
7		Button axle
8		O-ring
9		Axle cap
10		Spring
11		Push button
12		Push button nut
13		Lock nut
14		Retainer ring
15	9229030	O-ring
16		Nipple
17		O-ring
38-47	92995260	Control disc assembly (blue)
38		Guide pin
39	92995070	Rubber seal (blue)
40		Metal bushing
41		Filter seat
42	92994080	Filter screen
43	92994090	O-ring
44	92995100	Rubber (blue)
45		Control disc body
46	92995120	Axis rubber
47		Washer
48	92994110	Control disc spring
49		Axis
50	92994150	O-ring
51		O-ring



ITEM	PART #	DESCRIPTION
52		Valve seat
53	92994150	Screw
54		Coil
55		Metal Gasket
56		Lock washer
57		Screw
58		Sensor eye & cable
59	92994230	O-ring
60		Sensor ring
61		Sensor cover
62		Housing
63		PCB
64		Screw
65	64741006	Alkaline battery
66		Battery holder
67		Battery holder
68		Screw
69		Cover
70	92991039	Override assembly

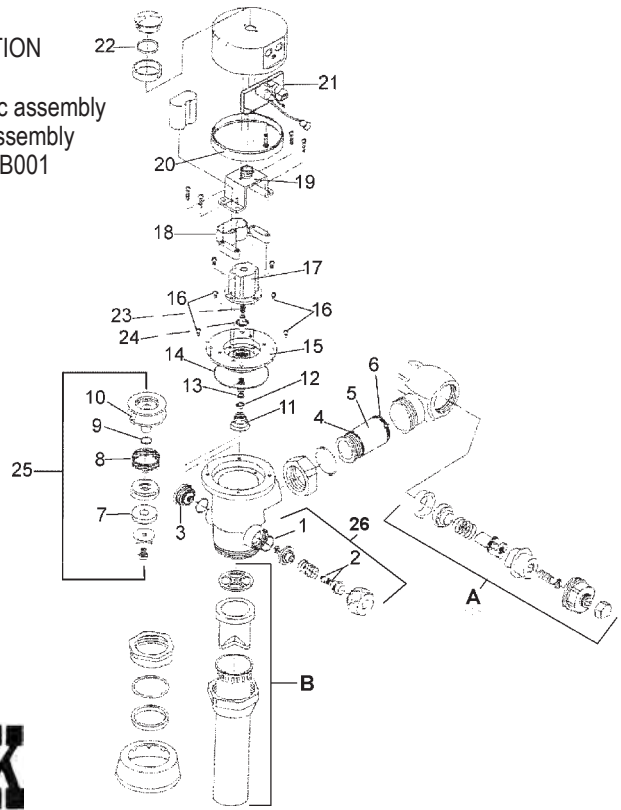
## HYDROTEK H-8000 - BATTERY OPERATED

ITEM	PART #	DESCRIPTION
1	92994010	O-Ring
2	92994140	O-Ring
3	92994020	Back nut
4	92994030	O-Ring
5	92994040	Connector for SLOAN
5	92994050	Connector for DELANY
6	92994060	O-Ring
7	92994070	Rubber (orange)
8	92994080	Filter screen
9	92994090	O-Ring
10	92994100	Rubber (orange)
11	92994110	Spring
12	92994120	Axis rubber
13	92994130	Axis
14	92994150	O-Ring
15	92994160	Valve seat
16	92994170	Screw
17	92994180	Coil
18	92994190	Battery seat
19	92994200	Fix shelf
20	92994210	Screw
21	92994220	PCB sensor assembly
22	92994230	O-Ring
23	92994240	Spring

A Use SLOAN Repair Kit  
B Use SLOAN Repair Kit



# HYDROTEK



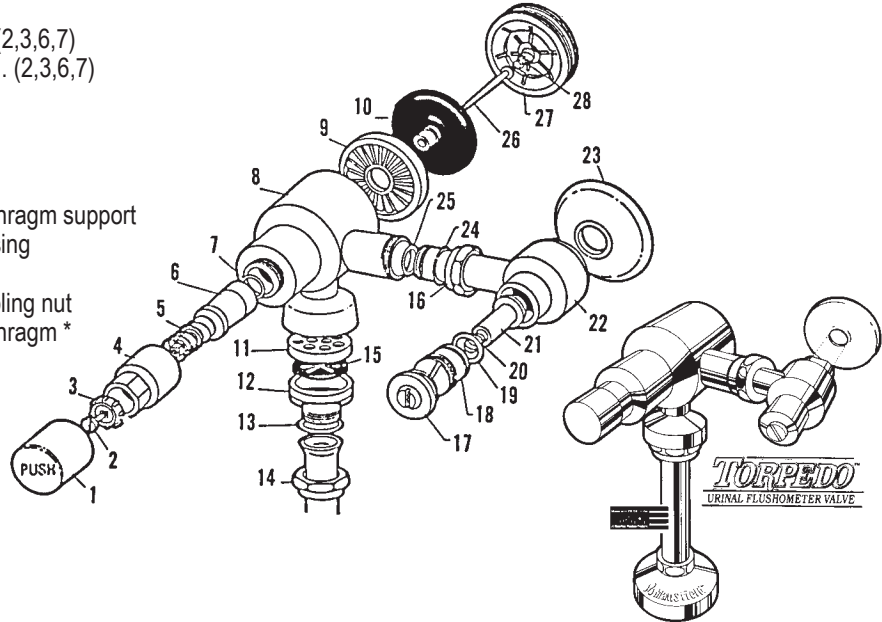
**INTERNET INQUIRIES AND ORDERS CALL US TOLL FREE 877-258-2572**  
[www.plumbingspecialties.com](http://www.plumbingspecialties.com)

# FLUSH VALVES

## MANSFIELD TORPEDO FLUSHOMETER VALVE

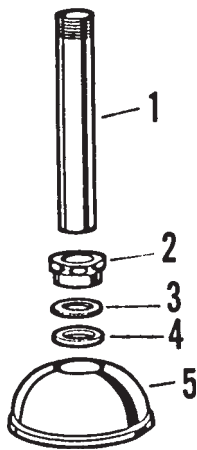
ITEM	PART #	DESCRIPTION
1	91619010	Push button
2		Push button screw
3		Push button retainer
4		Timer cover
5	91612038	Timer spring
6	91610040	Flush timer - 3/4 gal. (2,3,6,7)
	91610041	Flush timer - 1-1/2 gal. (2,3,6,7)
7		Timer o-ring
8		Flush valve body
9		Diaphragm support
10		Diaphragm *
11		Vacuum breaker diaphragm support
12		Vacuum breaker housing
13		Tailpiece washer
14	91619008	Vacuum breaker coupling nut
15	91610003	Vacuum breaker diaphragm *
16		Slip joint nut
17	91611008	Flow control cap
18	91613245	Flow control stem
19		Flow control o-ring *
20		Flow control spring
21	91610063	Plunger
22		Flow control body
23		Wall escutcheon
24	91610008	Lock ring
25	91615888	O-ring

ITEM	PART #	DESCRIPTION
26		Control pin *
27		Back cover
28		Control pin spring *
	91610042	* Service parts kit (items 10,15, 19, 26, 28)



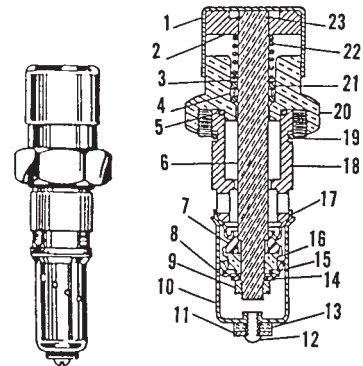
## MANSFIELD 190-195 URINAL VALVE CONNECTION PARTS

ITEM	PART #	DESCRIPTION
1	91612008	6" chrome tailpiece
2	91612000	3/4" spud connector nut
3	91612004	Friction ring
4	91612005	3/4" Rubber washer
5	91617052	White spud cover

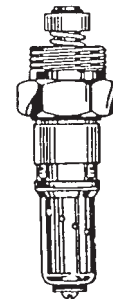


## MANSFIELD 190-195 URINAL VALVES

ITEM	PART #	DESCRIPTION
1		Push button
2	91613238	Plastic washer
3	91612030	O-ring washer
4	91612735	Leather washer
5	91615886	O-ring
6		Stem
7	91615942	Rubber seat
8	91612017	Seal washer
9		Locknut
10	91612013	Dash pot
11		Brass washer
12		Screw
13	91612012	Felt washer
14		Nut washer
15	91616754	Cup washer
16		Brass retainer
17		Stainless steel seat
18		Brass body
19	91613325	O-ring
20		Threaded hex body
21	91612634	O-ring
22	91612035	Spring
23		Clip ring
24	91613157	Handle
25	91615241	Upper spring
26		Lower plunger sleeve
27		Lower plunger spring stop
28		Cap
29	91613160	Upper plunger
30		Handle sleeve
	91615043	Push button cartridge assembly
	91617050	Oscillating handle assembly



91615043



91617050

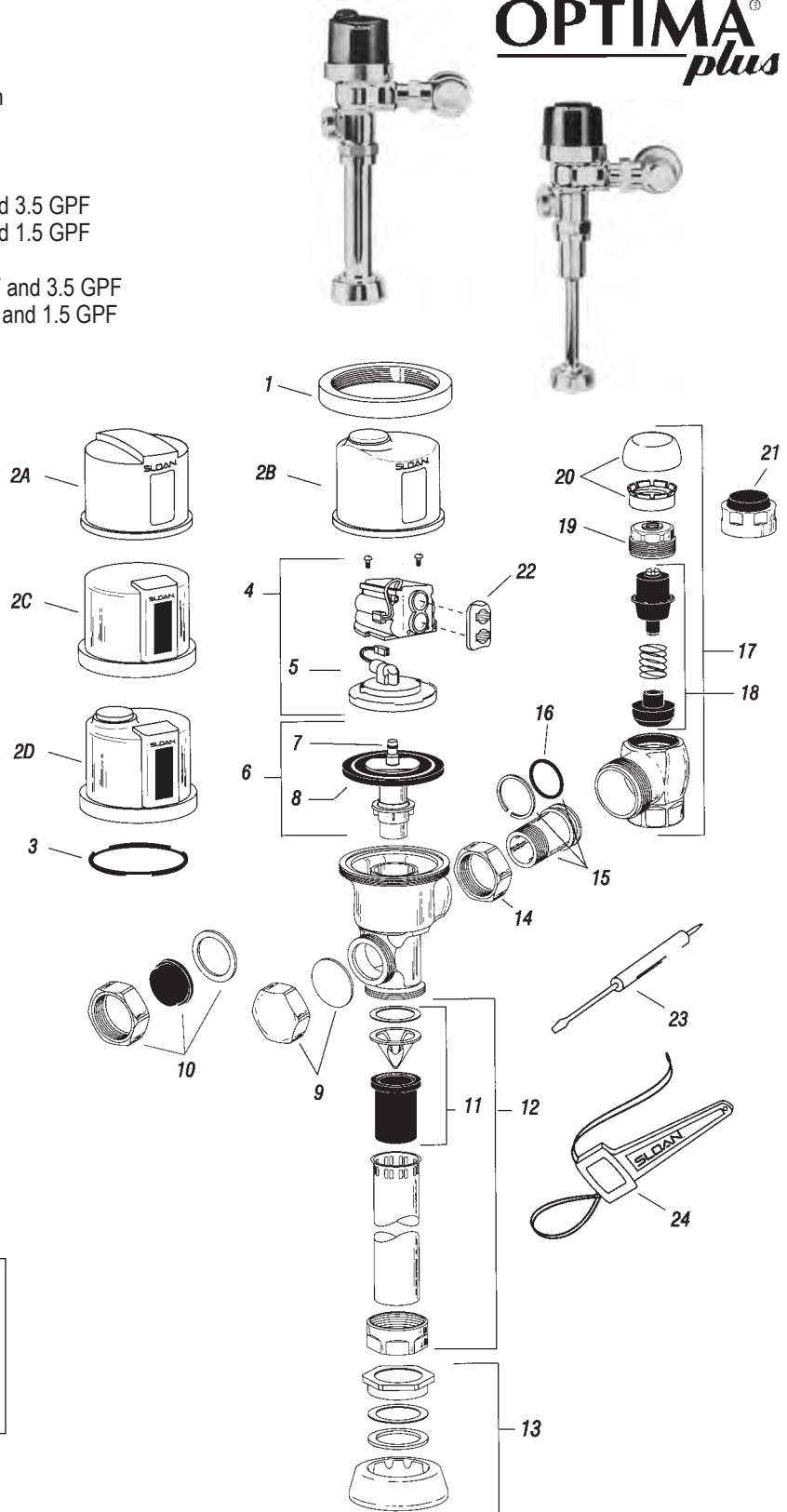
**INTERNET INQUIRIES AND ORDERS CALL US TOLL FREE 877-258-2572**  
**www.plumbingspecialties.com**

# FLUSH VALVES

## OPTIMA PLUS BY SLOAN

ITEM	PART #	DESCRIPTION
1	91788000	Locking ring
2A	91788008	Plastic cover (urinal)
2B	91788002	Plastic cover w/ override button
2C	91788006	Metal cover (urinal)
2D	91788004	Metal cover w/ override button
3	91788034	Cover gasket
4	91785176	Electronic module, 1.6 GPF and 3.5 GPF
4	91788016	Electronic module, 1.0 GPF and 1.5 GPF
5	91788020	Inside cover w/ solenoid
6*	91788024	Closet inside parts kit, 1.6 GPF and 3.5 GPF
6*	91788026	Urinal inside parts kit, 1.0 GPF and 1.5 GPF
7	91789930	Quad ring
8		Diaphragm
9	91788030	Metal handle cap
10	91788032	Decorative handle cap
11		Vacuum breaker repair kit
12		Vacuum breaker
13		Spud coupling
14		CP stop coupling
15		CP adjustable tailpiece
16	41001042	O-ring
17		Bak-Chek stop – complete
18		Control stop repair kit
19		CP Bonnet
20		Vandal resistant control stop cap assembly
21		Decorative stop cap
22	91788018	Optional beam deflector
23		Screwdriver
24	64001450	Strap wrench

**OPTIMA<sup>®</sup>**  
*plus*



A For Sloan Stop Repair Parts and Kits  
See Manually Operated Valves

B For Sloan Vacuum Breaker Repair Parts and Kits  
See Manually Operated Valves

\* Replaced by new Flex Tube Diaphragm inside parts kit

\*\*Batteries:  
When replacement batteries are required use  
4 AA alkaline batteries, PART # 64741006

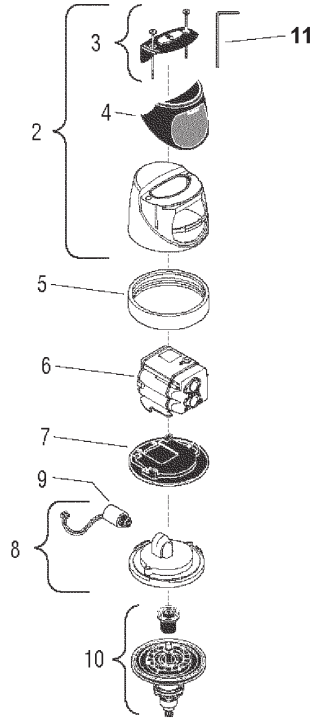
FOR MORE INFORMATION ON  
INSTALLING AND MAINTAINING  
SLOAN OPTIMA FLUSH VALVES  
CONTACT YOUR  
IMSCO REPRESENTATIVE.

**INTERNET INQUIRIES AND ORDERS CALL US TOLL FREE 877-258-2572**  
**www.plumbingspecialties.com**

# FLUSH VALVES

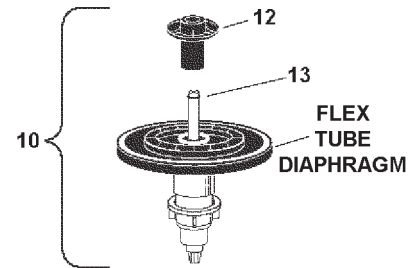
## SLOAN OPTIMA G2 PLUS SENSOR MODULE COMPONENT PARTS

ITEM	PART #	DESCRIPTION
2	91785168	Cover assembly
3	91785172	Override button assembly (includes screws & hex wrench)
5	91788000	Locking ring
	91785524	Locking ring for Zurn valves
6	91785450	G2 electronic module – water closet
	91785451	G2 electronic module – urinal
9	91785453	Isolated solenoid (for G2 modules only)
10		Flex tube diaphragm kit
11		Hex wrench
12		Regulator (specify color)
13	91785056	O-ring (pk of 6)



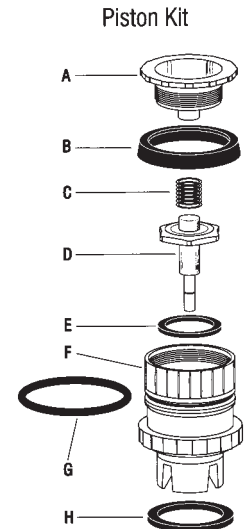
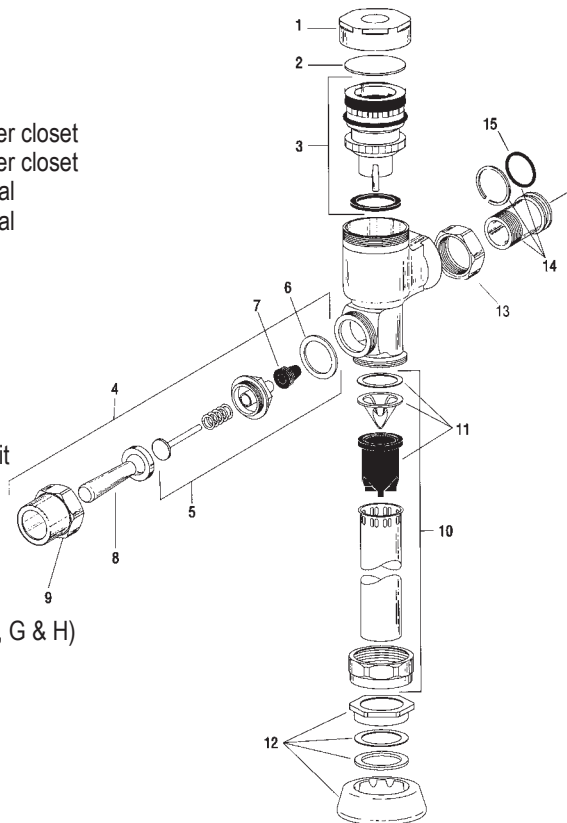
## FLEX TUBE DIAPHRAGM INSIDE PARTS KIT

COLOR	PART #	DESCRIPTION
Green	91788026	Urinal – 1.0 GPF
Black	91788026	Urinal – 1.5 GPF
White	91788024	Urinal – 3.5 GPF
Green	91788024	Closet – 1.6 GPF
White	91788024	Closet – 3.5 GPF
White	91788024	Closet – 4.5 GPF



## SLOAN GEM 2

ITEM	PART #	DESCRIPTION
1		CP cover
2	91787139	Slip disc
3	91787193	Piston kit – 3.5 GPF water closet
	91787195	Piston kit – 1.6 GPF water closet
	91787192	Piston kit – 1.5 GPF urinal
	91787185	Piston kit – 1.0 GPF urinal
4	91787070	Handle assembly
5	91787074	Handle repair kit
6		Handle gasket
7	91785024	Handle seal
8		Handle grip
9		Handle socket
10		Vacuum breaker
11		Vacuum breaker repair kit
12		Spud coupling
13	91786010	Stop coupling
14	91786012	Adjustable tailpiece
15	41001042	O-ring
	91787128	GEM 2 repair kit (includes 2, 6, 7, B, C, E, G & H)
	91787043	Piston kit – closet
	91787044	Piston kit – urinal



**INTERNET INQUIRIES AND ORDERS CALL US TOLL FREE 877-258-2572**  
[www.plumbingspecialties.com](http://www.plumbingspecialties.com)

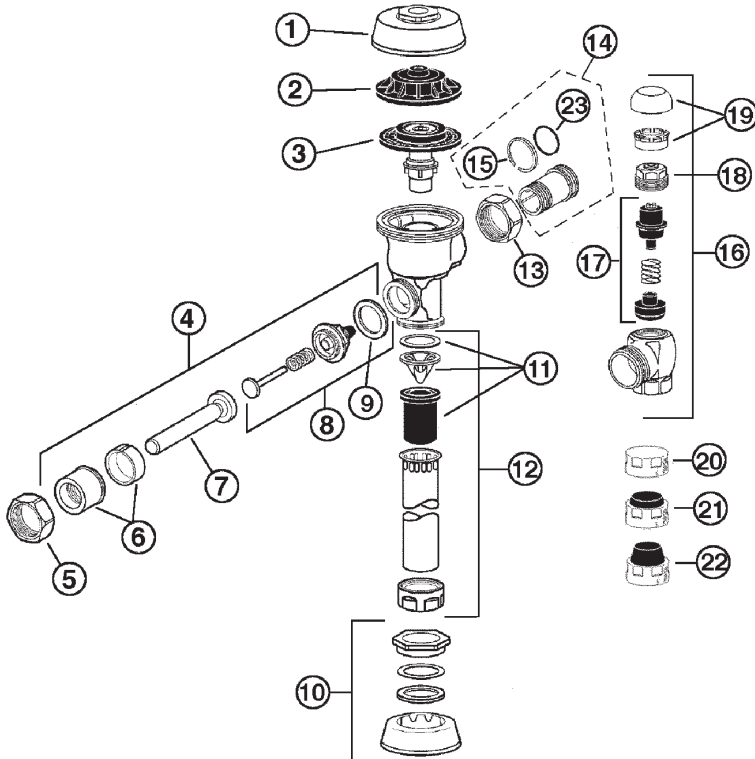
# FLUSH VALVES

## SLOAN ROYAL (DIAPHRAGM TYPE) FLUSH VALVE

**SLOAN®**



ITEM	PART #	DESCRIPTION
1	91781020	CP Cover – Royal
2	91781018	Inside cover
3		Dual filtered diaphragm assembly (see inset)
4	91785020	ADA compliant triple seal handle assembly
5	91785002	CP Handle coupling
6	91785004	CP socket assembly
7	91785022	CP ADA compliant handle
8	91785032	Triple seal handle repair kit
9	91785018	Handle gasket
10	91787012	Spud coupling assembly, 3/4"
	91787016	Spud coupling assembly, 1-1/4"
	91787018	Spud coupling assembly, 1-1/2"
11	91785550	High back pressure vacuum breaker repair kit
12		See page 11-24 for complete listing of sizes
13	91786010	CP stop coupling
14	91786012	CP Adjustable Tailpiece 2-1/16" standard length
15	91786022	Locking ring
16		1" CP Bak Chek Screwdriver Stop
		3/4" CP Bak Chek Screwdriver Stop
17	SEE	Control stop repair kit (1" and 3/4" H-700-A and 1" H-600-A Bak Chek screwdriver control stop)
	PAGES	Control stop repair kit (3/4" H-600-A Bak Chek screwdriver control stop)
18	11-25 &	CP Bonnet (1" and 3/4" H-700-A and 1" H-600-A Bak Chek screwdriver control stop)
	11-26	CP Bonnet (3/4" H-600-A Bak Chek screwdriver control stop)
19	FOR	Vandal resistant control stop cap assembly (1" and 3/4" H-700-A and 1" H-600-A Bak Chek screwdriver control stop)
	STOPS	Vandal resistant control stop cap assembly (3/4" H-600-A Bak Chek screwdriver control stop)
20		Control stop cap CP (1" and 3/4" H-700-A and 1" H-600-A Bak Chek screwdriver control stop)
		Control stop cap CP (3/4" H-600-A Bak Chek screwdriver control stop)
21		Control stop cap with bumper (1" and 3/4" H-700-A and 1" H-600-A Bak Chek screwdriver control stop)
22		Control stop cap with extended bumper (3/4" H-600-A Bak Chek screwdriver control stop)



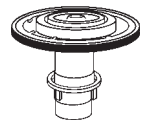
### SLOAN ROYAL PERFORMANCE REPAIR PARTS

**HIGH BACK PRESSURE  
VACUUM BREAKER REPAIR KIT**  
PART # 91785550

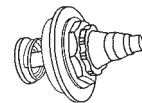


**FIXED DUAL FILTERED  
DIAPHRAGM ASSEMBLY**

- .5 gpf PART # 91781095
- 1.0 gpf PART # 91781090
- 1.5 gpf PART # 91781070
- 1.6 gpf PART # 91781080
- 3.5 gpf PART # 91781060



**TRIPLE SEAL HANDLE  
REPAIR KIT**  
PART # 91785025



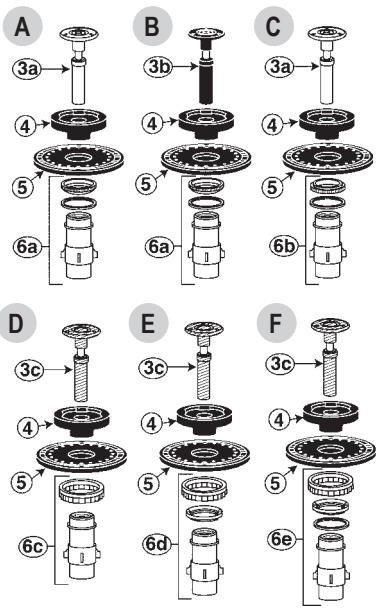
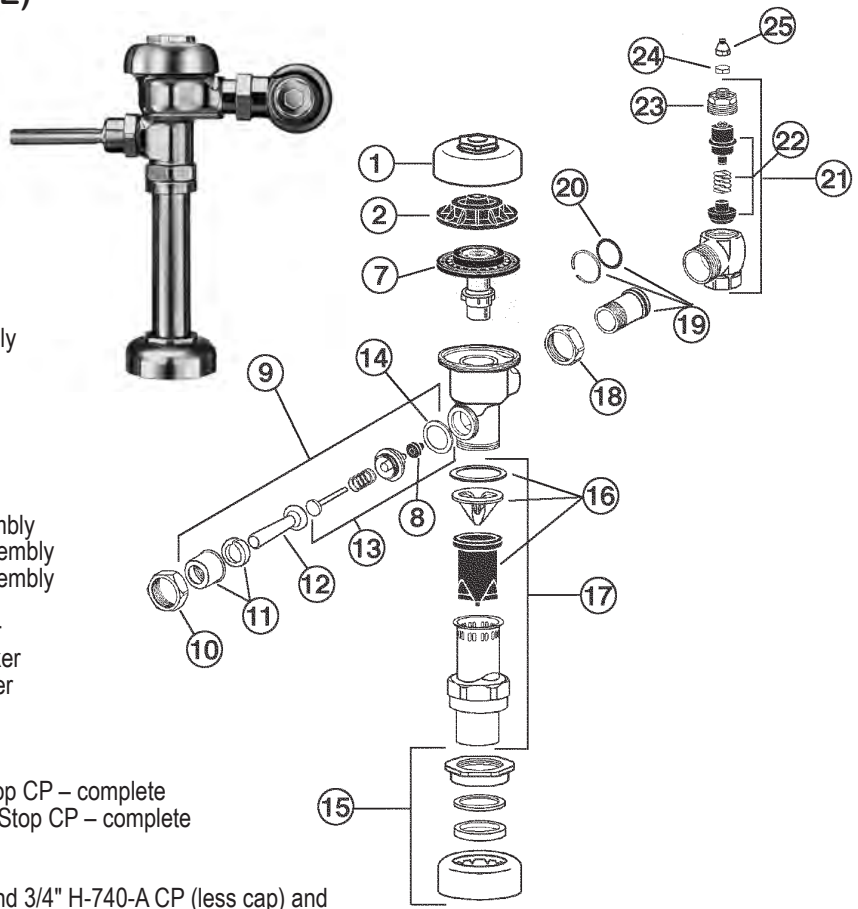
**SLOAN ROYAL PERFORMANCE KIT**  
(includes individual repair kits and tailpiece o-ring)

- 3.5 gpf PART # 91781180
- 1.5 gpf PART # 91781190

**INTERNET INQUIRIES AND ORDERS CALL US TOLL FREE 877-258-2572**  
[www.plumbingspecialties.com](http://www.plumbingspecialties.com)

**SLOAN REGAL (DIAPHRAGM TYPE)  
FLUSH VALVE**

ITEM	PART #	DESCRIPTION
1	91783170	CP cover
2	91781018	Inside cover
3		Relief valve (see inset)
4		Disc (see inset)
5		Diaphragm (see inset)
6		Guide assembly (see inset)
7		Inside parts kit
8		Seal
9	91785020	CP handle assembly
	91785026	CP handicap handle assembly
10	91785002	CP handle coupling
11	91785004	CP socket assembly
12	91785022	CP handle grip
		CP handicap handle grip
13	91785032	Handle repair kit
14	91785018	Handle gasket
15	91787012	3/4" CP spud coupling assembly
	91787016	1-1/4" CP spud coupling assembly
	91787018	1-1/2" CP spud coupling assembly
16	91785513	Vacuum breaker repair kit
17	91785514	3/4" x 9" CP vacuum breaker
	91785518	1-1/4" x 9" CP vacuum breaker
	91785524	1-1/2" x 9" CP vacuum breaker
18	91786010	CP stop coupling
19	91786012	CP adjustable tailpiece
20	41001042	O-ring
21	91783925	1" Screwdrive Bak Chek® Stop CP – complete
	91783920	3/4" Screwdriver Bak Chek® Stop CP – complete
22	91784038	1" Control stop repair kit
	91784040	3/4" Control stop repair kit
23		CP bonnet (for use with 1" and 3/4" H-740-A CP (less cap) and 1" H-540-a CP (with H-37 cap) Bak Chek® screwdriver control stops CP bonnet (for use with 3/4" H-740-A CP Bak Chek® screwdriver control stops
24	91784002	CP cap
25	91783635	Bumper assembly



**INSIDE PARTS KITS**  
(Item #7 above)

ITEM	PART #	DESCRIPTION
A	91781030	4.5 gpf, closet
B	91781032	1.5 gpf, urinal
C	91781034	3.5 gpf, closet
D	91781041	1.6 gpf, closet
E	91781044	1.0 gpf, closet

**INSIDE PARTS COMPONENTS**

ITEM	PART #	DESCRIPTION
3a	91781004	Relief valve, white (closet)
3b	91781006	Relief valve, black (urinal)
3c	91781038	Relief valve, green (closet/urinal)
4	91781002	Disc
5	91781022	Diaphragm
6a	91781026	Guide assembly, 4.5 gpf
6b	91781026	Guide assembly, 3.5 gpf
6c	91781025	Guide assembly, 1.6 gpf
6d	91781075	Guide assembly, 1.0 gpf
6e	91781077	Guide assembly, 0.5 gpf

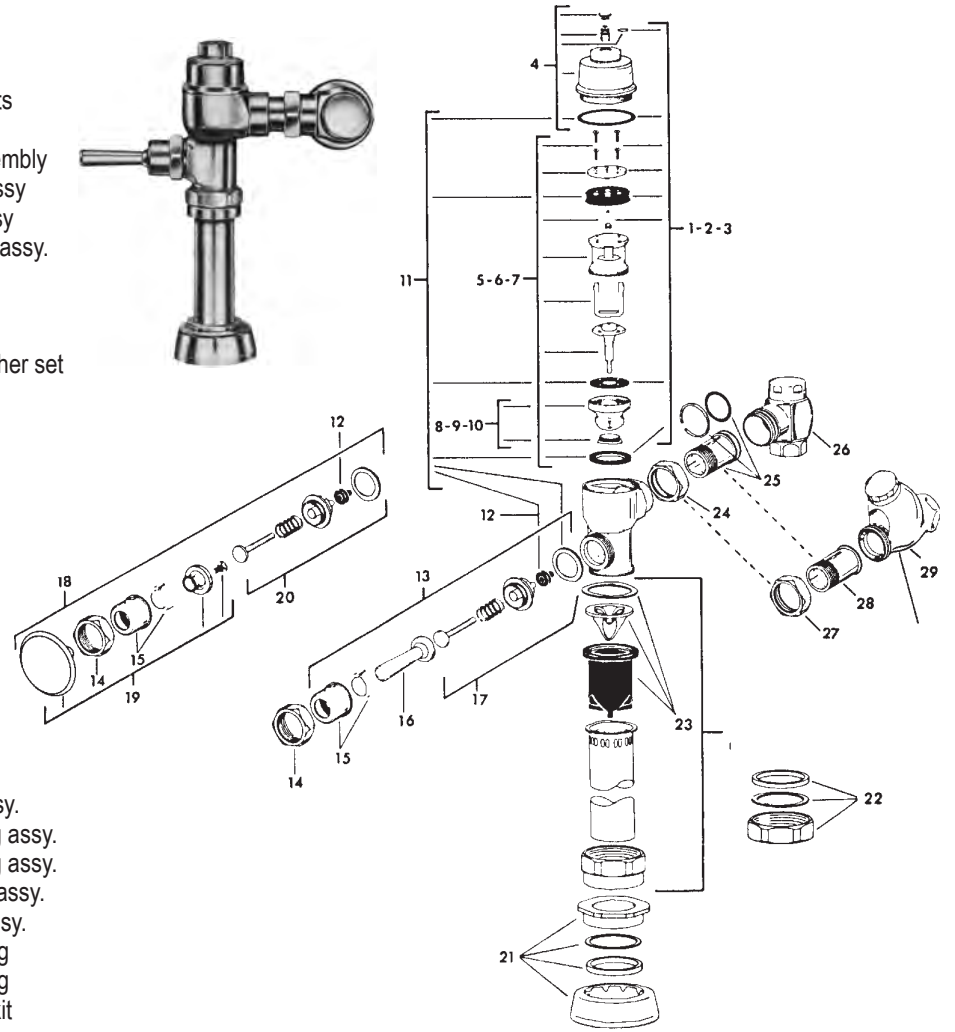
MASTER FLUSHOMETER REBUILD KITS ALSO AVAILABLE

**INTERNET INQUIRIES AND ORDERS CALL US TOLL FREE 877-258-2572**  
**www.plumbingspecialties.com**

**FLUSH VALVES**

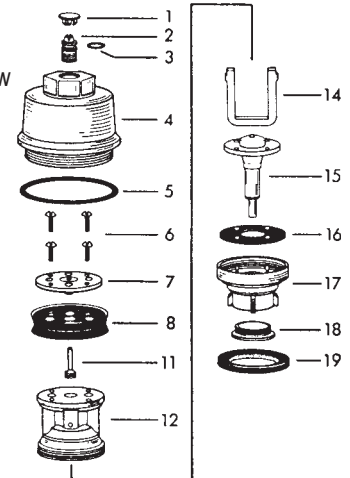
**SLOAN CROWN (PISTON TYPE) FLUSH VALVE**

ITEM	PART #	DESCRIPTION
1	91782034	Urinal inside parts kit
2	91782034	Closet inside parts kit
3	91782032	Shower valve inside parts kit. (hot water)
4	0332078	CR-74-A CP cover assembly
5	91782020	S-60-AU Urinal piston assy
6	91783655	K-60-A Closet piston assy
7	0319026	S-60-AG Shower piston assy.
8	0301185	K-123-A Closet guide
9	0319101	S-43-A Urinal guide
10	0319102	S-43-A Shower guide
11	91782008	Crown/Naval closet washer set
12	91785024	Handle seal
13	91785020	Handle assembly
14	91785002	Handle coupling
15	91785004	CP Socket
16	91785022	CP Grip
17	91785032	Handle repair kit
18	91785036	3" CP Push button assembly
19	91785060	3" CP Push button replacement kit
20	91785040	3" CP Push button repair kit
21	91787012	3/4" CP Spud coupling assy.
	91787014	1" CP Spud coupling assy.
	91787016	1-1/4" CP Spud coupling assy.
	91787018	1-1/2" CP Spud coupling assy.
22	0306052	3/4" CP Outlet coupling assy.
	0306077	1" CP Outlet coupling assy.
	91787002	1-1/4" CP Outlet coupling
	0306093	1-1/2" CP Outlet coupling
23	91785513	Vacuum breaker repair kit
24	91786010	CP Stop coupling
25	91006012	CP adj. ttpc. 2-1/16" long
26	91783906	1" SD Bak-Chek CP control stop
	91783902	3/4"SD Bak-Chek CP control stop
27	91788063	CP Stop coupling GJ
28	91786003	CP Ground joint ttpc. 1-3/4" long
29	91783910	1" SD Bak-Chek CP stop GJ
30	92005502	Cowl nut
31	91787008	3/4" SJ washer
	44583002	1-1/4" SJ washer
	44583004	1-1/2" SJ washer



**CROWN PISTON INSIDE PARTS**

ITEM	PART #	DESCRIPTION
1	91782030	Cover button
2	91782028	Crown regulating screw
3		CR-70 O-ring
4		CR-74 Cover
5	91782004	Cover gasket
6	91783002	Top plate screws
7	91782010	Crown top plate
8	91782006	Crown molded cup
11	91782016	Xpelor
12		CR-60 piston body
14	91782026	Safety bar
15	91782024	Crown relief valve
16	91782012	Relief valve seat
17		Closet /Urinal guide
18		Restriction ring
19	91782022	Closet Main seat
	91782014	Urinal Main seat

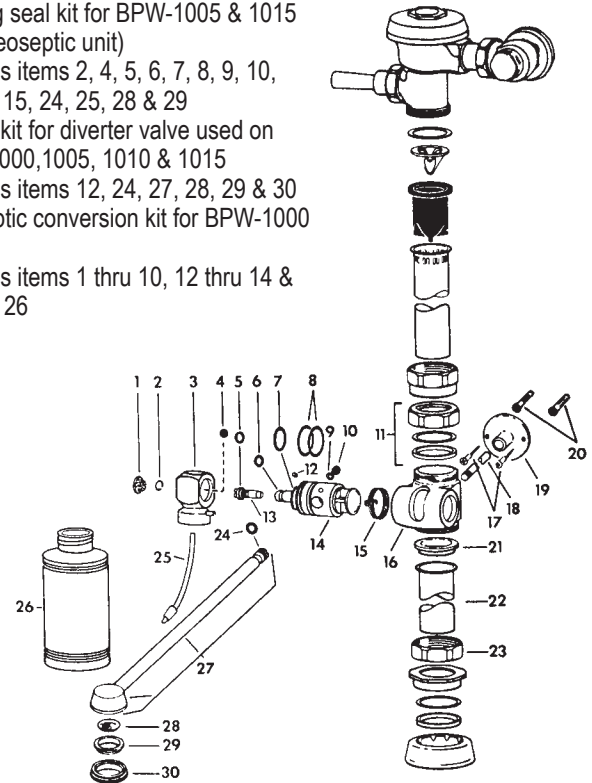


**INTERNET INQUIRIES AND ORDERS CALL US TOLL FREE 877-258-2572**  
**www.plumbingspecialties.com**

# FLUSH VALVES

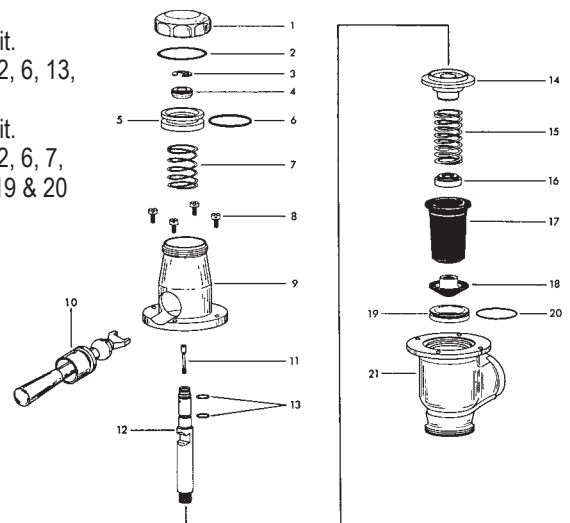
## SLOAN SLIMLINE BEDPAN WASHER REPAIR PARTS

ITEM	PART #	DESCRIPTION	REPAIR KITS	PART #	DESCRIPTION
1	91782352	CP plug button			
2	91782346	Retaining ring		91782366	"O" ring seal kit for BPW-1000 & 1010 (less deoseptic unit)
3	91782360	Swivel & ball check assembly			Includes items 8, 9, 10, 12, 15 & 24
4	91782372	Ground rubber ball		91782368	"O" ring seal kit for BPW-1005 & 1015 (with deoseptic unit)
5	91782354	"O" ring			Includes items 2, 4, 5, 6, 7, 8, 9, 10, 12, 13, 15, 24, 25, 28 & 29
6	91782350	"O" ring		91782370	Repair kit for diverter valve used on BPW-1000,1005, 1010 & 1015
7	91786030	"O" ring			Includes items 12, 24, 27, 28, 29 & 30
8	91782134	Diverter "O" ring (2 required)		91782380	Deoseptic conversion kit for BPW-1000 & 1010
9	91782344	Diverter valve seal washer			Includes items 1 thru 10, 12 thru 14 & 24 thru 26
10	91782340	Diverter valve seal			
11	91787003	1-1/2" S.J. coupling assembly			
12	91782328	Set screw			
13	91782356	Adjusting screw			
14	91782362	Deoseptic unit nozzle pivot			
15	91782342	Counter balance spring			
16	91782321	CP deoseptic body			
17		#10 wood screw			
18	91782338	CP support rod			
19	91782336	CP wall flange w/set screw			
20		5/16" OD anchor			
21	91782358	Outlet tube gasket			
22	91782376	CP outlet tube			
23	44002508	1-1/2" coupling outlet			
24	91782326	"O" ring			
25	91782374	Aspirator tube assembly			
26	91782348	Deoseptic bottle			
27	NLA	Nozzle & tube assembly - Order replacement kit 91782370			
28	91782334	Nozzle screen			
29	91782332	Nozzle spray disc			
30	91782330	Spray disc retainer			



## SLOAN DOLPHIN FLUSH VALVE REPAIR PARTS

ITEM	DESCRIPTION	REPAIR KITS	PART #	DESCRIPTION
1	NP cover nut			
2	"O" ring		91782120	Dolphin repair kit. Contains items 2, 6, 13, 17 & 18
3	Retaining ring			
4	Stem nut			
5	Piston with o-ring		91782122	Dolphin repair kit. Contains items 2, 6, 7, 13, 15, 17, 18, 19 & 20
6	"O" ring			
7	Piston spring			
8	CP cover screw (4 required)			
9	NP upper body			
10	NP handle & socket			
11	Regulating screw			
12	RB stem			
13	"O" ring (2 required)			
14	RB bushing			
15	Compression spring			
16	RB insert			
17-18	Flex-sac assembly			
19-20	Seat assembly			
21	NP lower body			



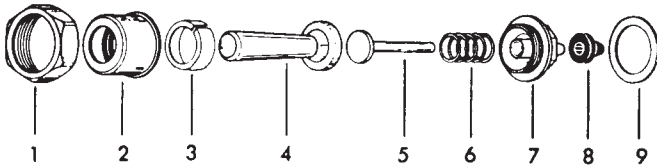
**INTERNET INQUIRIES AND ORDERS CALL US TOLL FREE 877-258-2572**  
**www.plumbingspecialties.com**

# FLUSH VALVES

## SLOAN HANDLE REPAIRS

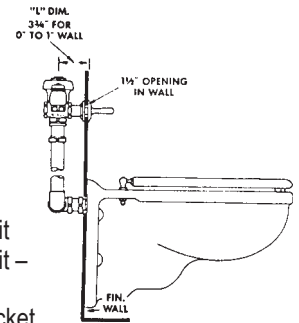
### HANDLE FOR EXPOSED ROYAL, CROWN & ADA

ITEM	PART #	DESCRIPTION
1	91785002	CP coupling
2-3	91785004	Handle socket
2-9	91785020	CP Handle assembly
4	91785022	Handle grip
5		Plunger
6		Spring
7		Bushing
8	91785024	Handle seal
9	91785018	Handle gasket
5-9	91785032	Handle repair kit
	91785025	New style ADA handle repair kit

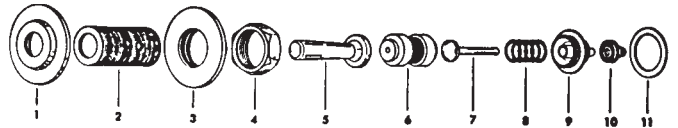


### HANDLE FOR CONCEALED ROYAL & CROWN

ITEM	PART #	DESCRIPTION
1	91785016	CP wall flange 2-3/4" OD
	NLA	CP wall flange 3-1/2" OD
3	91785015	RB locknut
4	91785003	RB coupling
5	91785022	CP grip
7		Plunger
8		Spring
9		Bushing
10	91785024	Handle seal
11	91785018	Handle gasket
7-11	91785045	Handle repair kit
	91785032	Handle repair kit – Handle with flanged wall socket

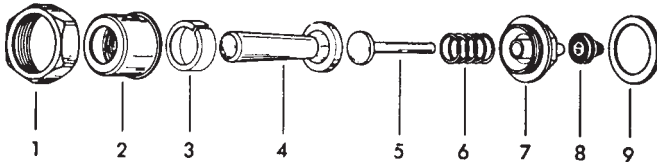


To order items 1-11 (B-12A Handle assembly), please specify the "L" dimension (face of finish wall to center of supply) 3-3/4" thru 14-3/4" in one inch intervals.



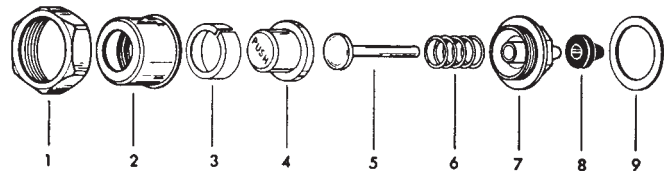
### HANDLE FOR EXPOSED NAVAL

ITEM	PART #	DESCRIPTION
1	91785002	CP coupling
2-3	91785004	Handle socket
2-9	91783010	Handle assembly
4	91785022	CP grip
5		Plunger
6		Spring
7		Bushing
8	91785024	Handle seal
9	91785018	Handle gasket
5-9	91783004	Handle repair kit



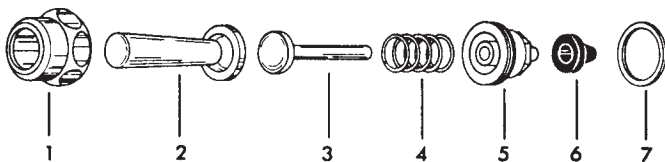
### PUSH BUTTON FOR EXPOSED ROYAL & CROWN

ITEM	PART #	DESCRIPTION
1	91785002	CP coupling
2-9	91785035	Push button assembly
5-9	91785032	Push button repair kit
2-3	91785004	CP socket
4	91785034	Index push button
5		Plunger
6		Spring
7		Bushing
8	91785024	Handle seal
9	91785018	Handle gasket



### HANDLE FOR GEM

ITEM	PART #	DESCRIPTION
1-7	91783504	CP handle assembly
1		CP socket
2		CP grip
3		Plunger
3-7	91783510	Handle repair kit
4		Spring
5		Bushing
6	91785024	Handle seal
7	91783515	Handle gasket

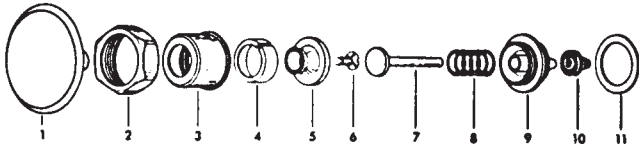


**INTERNET INQUIRIES AND ORDERS CALL US TOLL FREE 877-258-2572**  
[www.plumbingspecialties.com](http://www.plumbingspecialties.com)

**SLOAN HANDLE REPAIRS**

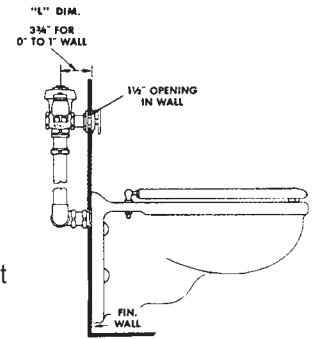
**3" PUSH BUTTON FOR EXPOSED ROYAL & CROWN**

ITEM	PART #	DESCRIPTION
1-11	91785036	3" Push button assembly
1	91785060	3" Push button (includes 5 & 6)
2	91785002	CP coupling
3-4	91785004	CP socket
5		Shank head
6		RB screw
7		Plunger
8		Spring
9		Bushing
10	91785024	Handle seal
11	91785018	Handle gasket
7-11	91785040	Handle repair kit

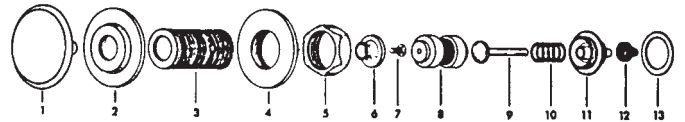


**3" PUSH BUTTON FOR CONCEALED ROYAL & CROWN**

ITEM	PART #	DESCRIPTION
1	91785060	3" push button (includes 6 & 7)
2	91785016	CP wall flange 2-3/4" OD
	NLA	CP wall flange 3-1/2" OD
4	91785015	RB locknut
5	91785003	RB coupling
6		Shank head
7		Screw
9		Plunger
10		Spring
11		Bushing
12	91785024	Handle seal
13	91785018	Handle gasket
9-13	91785045	Push button repair kit



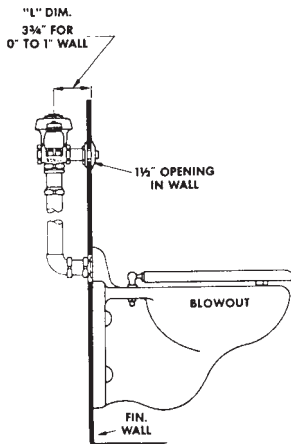
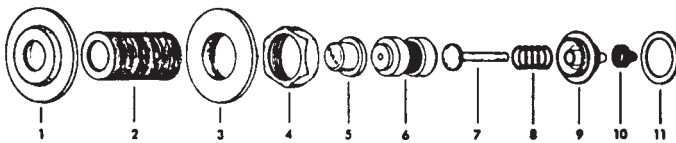
To order items 1-13 (C-43A 3" PB Handle assembly), please specify the "L" dimension (face of finish wall to center of supply) 3-3/4" thru 10-3/4" in one inch intervals.



**PUSH BUTTON FOR CONCEALED ROYAL & CROWN**

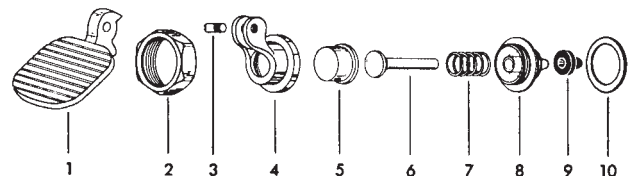
ITEM	PART #	DESCRIPTION
1	91785016	CP wall flange 2-3/4" OD
	NLA	CP wall flange 3-1/2" OD
3	91785015	RB locknut
4	91785003	RB coupling
5	91785034	Index push button
7		Plunger
8		Spring
9		Bushing
10	91785024	Handle seal
11	91785018	Handle gasket

To order items 1-11 (C-9A PB Handle assembly), please specify the "L" dimension (face of finish wall to center of supply) 3-3/4" thru 14-3/4" in one inch intervals.



**PEDAL PUSH BUTTON FOR EXPOSED ROYAL & CROWN**

ITEM	PART #	DESCRIPTION
1-10	91785050	Pedal CP assembly
1	91785052	CP pedal
2	91785002	CP coupling
3	91785054	CP screw
4		CP socket
5		CP push button
6		Plunger
7		Spring
8		Bushing
9	91785024	Handle seal
10	91785018	Handle gasket
4-10	91785030	Repair kit

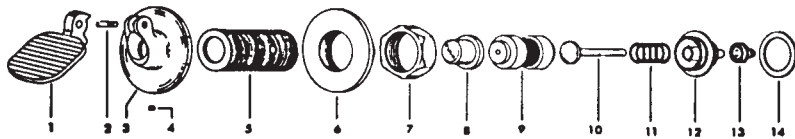


# FLUSH VALVES

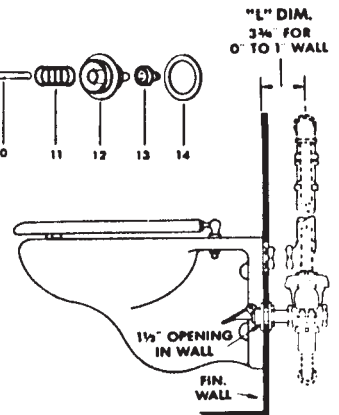
## SLOAN HANDLE REPAIRS

### PEDAL PUSH BUTTON FOR CONCEALED ROYAL & CROWN

ITEM	PART #	DESCRIPTION
1	91785052	CP pedal
2	91785054	CP screw
3-4		CP flange w/set screw
6	91785015	RB locknut
7	91785003	RB coupling
8	91785034	Index push button
10		Plunger
11		Spring
12		Bushing
13	91785024	Handle seal
14	91785018	Handle gasket
	91785045	Handle repair kit (items 10-14)

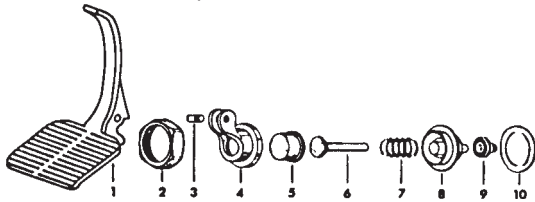


To order items 1-14(C-40A Pedal PB assembly), please specify the "L" dimension (face of finish wall to center of supply) 3-3/4" thru 14-3/4" in one inch intervals.



### PEDAL HANDLE PUSH BUTTON FOR EXPOSED ROYAL & CROWN

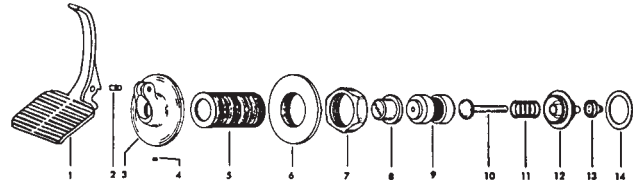
ITEM	PART #	DESCRIPTION
1-10	91785051	Pedal handle assembly
1	91785053	CP pedal handle
2	91785002	CP coupling
3	91785054	CP screw
4		CP socket
5		CP push button
6		Plunger
7		Spring
8		Bushing
9	91785024	Handle seal
10	91785019	Handle gasket
4-10	91785030	Repair kit



### PEDAL HANDLE PUSH BUTTON FOR CONCEALED ROYAL & CROWN

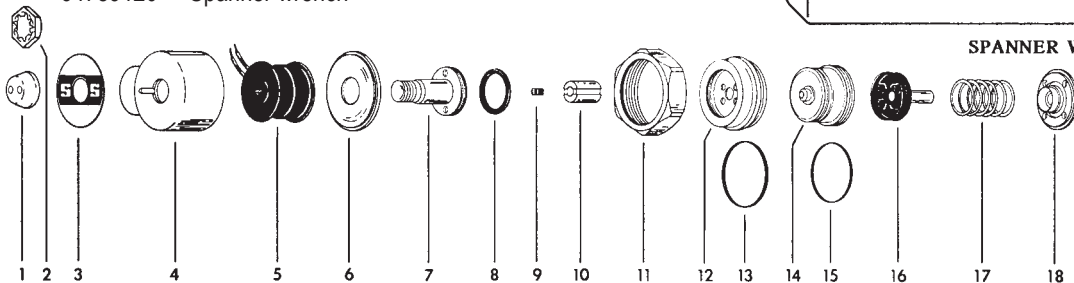
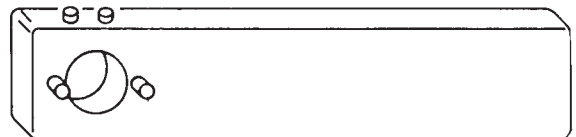
ITEM	PART #	DESCRIPTION
1	91785053	CP pedal handle
2	91785054	CP screw
3-4		CP flange w/set screw
6	91785015	RB locknut
7	91785003	RB coupling
8	91785034	Index push coupling
10		Plunger
11		Spring
12		Bushing
13	91785024	Handle seal
14	91785018	Handle gasket
	91785045	Repair kit (items 10-14)

To order items 1-14(C-40A Pedal PB assembly), please specify the "L" dimension (face of finish wall to center of supply) 3-3/4" thru 14-3/4" in one inch intervals.



### ELECTRIC SOLENOID OPERATOR FOR AUTOMATIC FLUSHING

PART #	DESCRIPTION
91785043	Repair kit. Contains items 8,9,13,15 & 16.
64789120	Spanner wrench



SPANNER WRENCH

**INTERNET INQUIRIES AND ORDERS CALL US TOLL FREE 877-258-2572**  
[www.plumbingspecialties.com](http://www.plumbingspecialties.com)