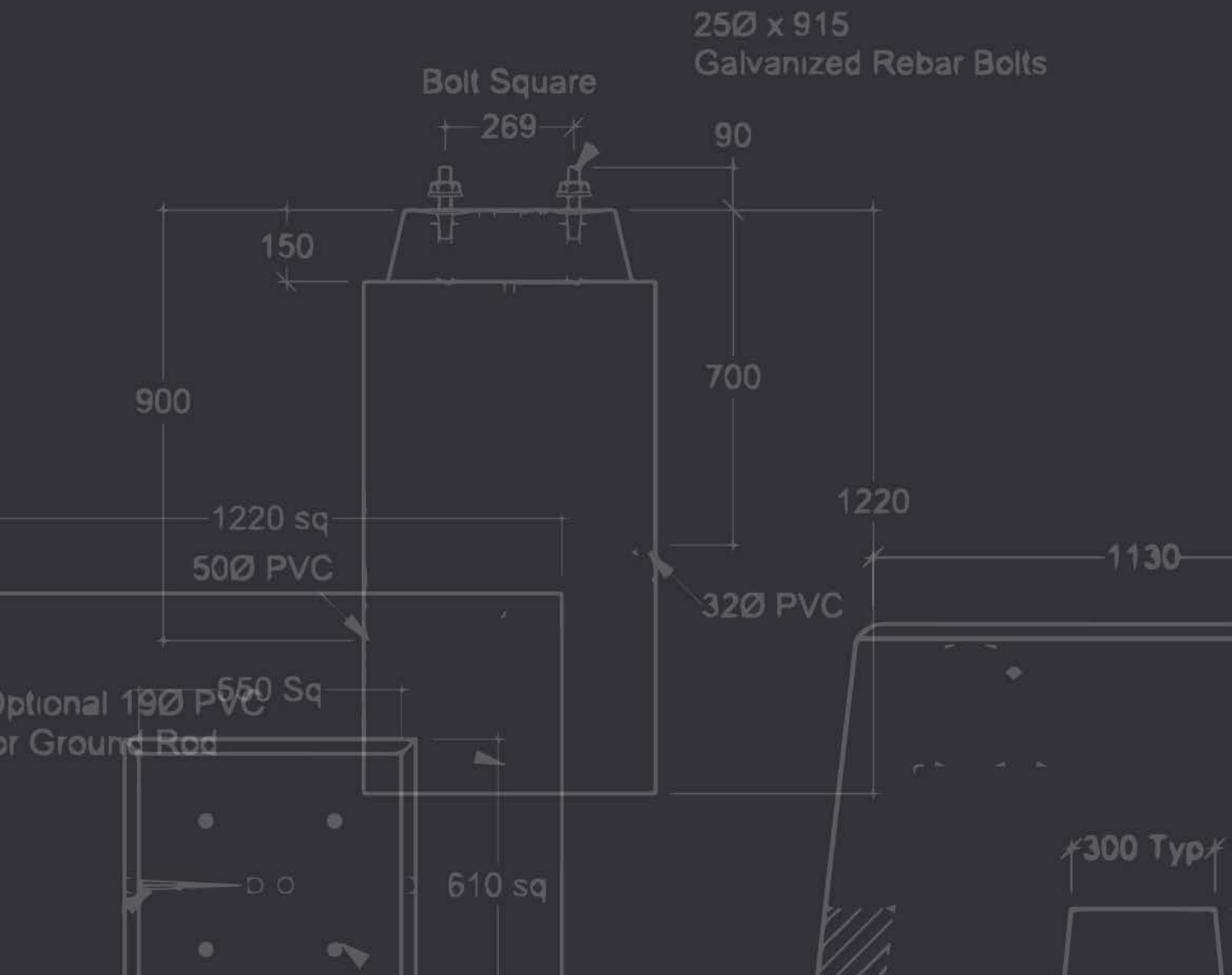


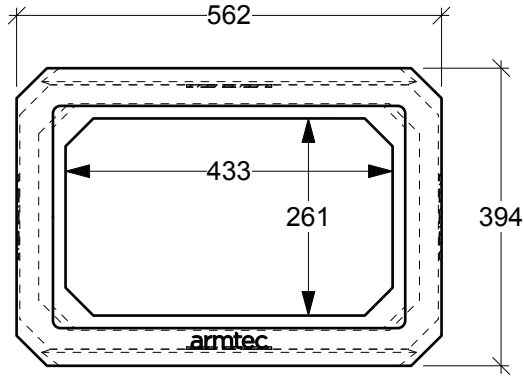
# Service Boxes

## Technical Drawings

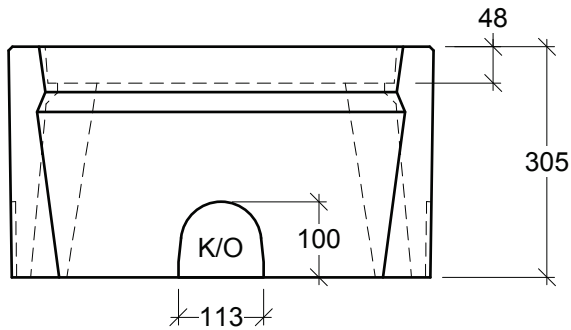


## Service Box Listings

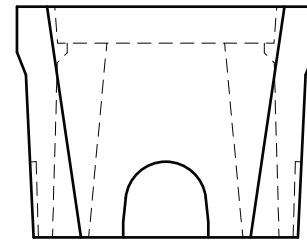
<u>Drawing Number</u>	<u>Item Description</u>	<u>Product Size</u> (Length X Width X Depth in mm)
B937-00-0305-C	<b>B937 Top / Extension 305 High</b>	433 x 261 x 305 i.d.
B937-00-0150-C	<b>B937 Top / Extension 152 High</b>	433 x 261 x 152 i.d.
B937-MR-0305-C	<b>B937 Maple Ridge Watermeter Bottom Section</b>	433 x 261 x 305 i.d.
B937-ZZ-LIDS-C	<b>B937 Cast Iron &amp; Steel Covers</b>	457 x 285 x 44
B937-N3-LREC-C	<b>B937 Box w/ Tamper Proof Lid Options</b>	433 x 261 x 305 i.d.
T266-N3-ZZZZ-C	<b>T266 Service Box - Complete</b> Available as Individual Sections (2 Sections + Base + Lid)	718 x 438 x 750 i.d.
T266-00-0150-C	<b>T266 Top / Extension 150 High</b>	712 x 432 x 200 i.d.
5686-N3-ZZZZ-C	<b>5686 Service Box - Complete</b> Available as Individual Sections (2 Sections + Base + Lid)	860 x 560 x 870 i.d.
5686-25-0375-C	<b>5686 Watermeter Service Box - Complete</b> Available as Individual Sections (2 Sections + Base + Lid)	860 x 560 x 870 i.d.
5686-N3-SUPR-C	<b>5686 Superimposed Service Box - Complete</b> Available as Individual Sections. (2 Sections + Base + Frame + Lid)	860 x 560 x 870 i.d.
5686-00-0150-C	<b>5686 Top / Extension 150 High</b>	860 x 560 x 180 i.d.



**Plan View**



**Side View**



**End View**

**General Notes:**

- Products manufactured in accordance with CSA A23.4
- Designed for Boulevard (Off-Road) Use - H-20 Static Loading
- Site Installation, Backfilling & Suitability for Use is the responsibility of others



19060-54th Avenue  
Surrey, B.C. V3S 8E5

Tel (604) 576-1808  
surrey.precast@armtec.com

**B937 Top / Extension 305 High**

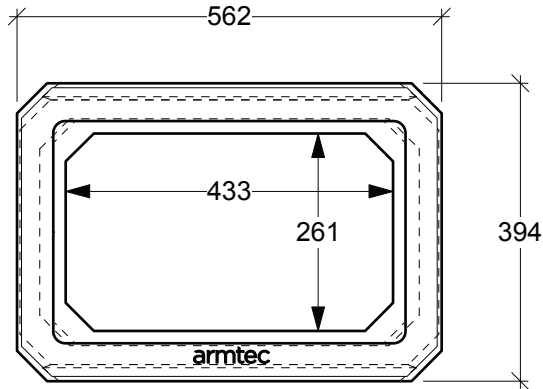
(#37 & B-9 1/2)

Top/Ext: 105 lbs / 50 kgs

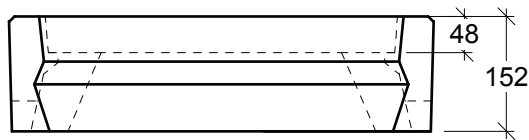
Scale: 1:10 mm

Rev: 28Jun08

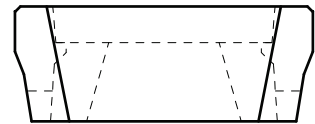
Dwg#: **B937-00-0305-C**



**Plan View**



**Side View**



**End View**

**General Notes:**

- Products manufactured in accordance with CSA A23.4
- Designed for Boulevard (Off-Road) Use - H-20 Static Loading
- Site Installation, Backfilling & Suitability for Use is the responsibility of others



19060-54th Avenue  
Surrey, B.C. V3S 8E5

Tel (604) 576-1808  
surrey.precast@armtec.com

**B937 Top / Extension 152 High**

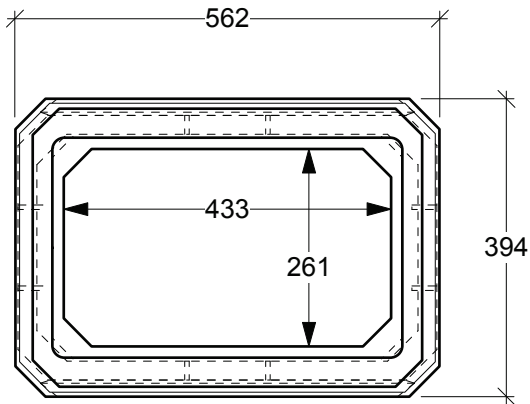
(#37 & B-9 1/2)

Top/Ext: 60 lbs / 27 kgs

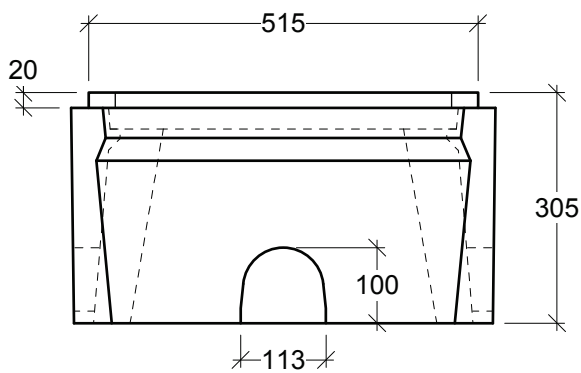
Scale: 1:10 mm

Rev: 28Jun08

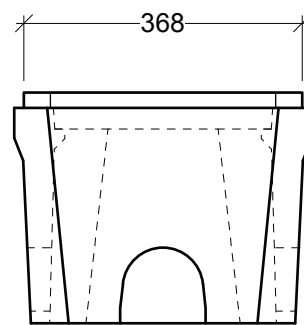
Dwg#: **B937-00-0150-C**



**Plan View**



**Side View**



**End View**

**General Notes:**

- Products manufactured in accordance with CSA A23.4
- Designed for Boulevard (Off-Road) Use - H-20 Static Loading
- Site Installation, Backfilling & Suitability for Use is the responsibility of others



19060-54th Avenue  
Surrey, B.C. V3S 8E5

Tel (604) 576-1808  
surrey.precast@armtec.com

**B937 Maple Ridge Watermeter Bottom Section**

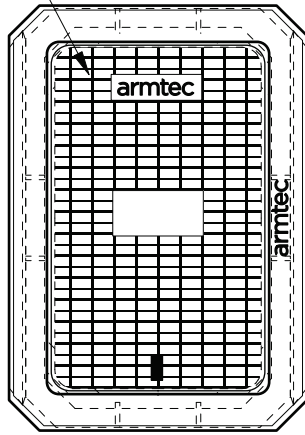
Box: 105 lbs / 50 kgs

Scale: 1:10 mm

Rev: 28Jun08

Dwg#: **B937-MR-0305-C**

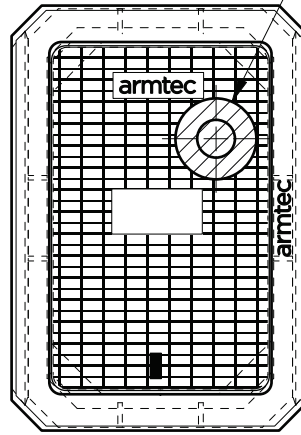
Ground Hole Location on Underside



**Cast Iron Cover**

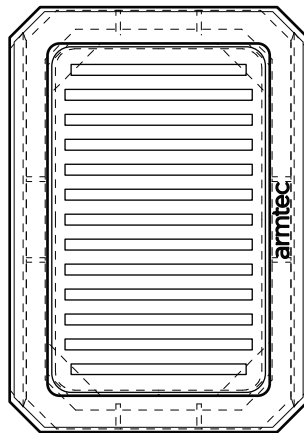
- Available plain or marked. Markings: Sewer, Electric Power or Water Meter.

**Option:**  
Remote Reader Recess or Straight Thru Hole

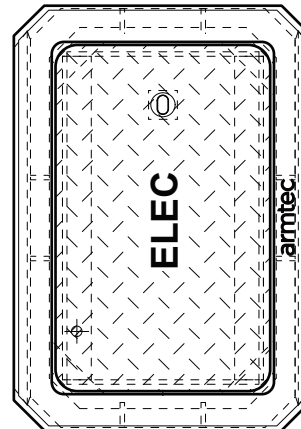


**Cast Iron Cover c/w Hole for Remote Reader**

- Available plain or marked as Water Meter.



**Cast Iron Grate**



**Steel Checker Plate Cover**

Painted Black, Boltdown, Steel Checker Plate Lid  
**Options:** Galvanizing, Padlock Recess  
 Remote Reader Holes  
 Weld Marking e.g. "ELEC"

**General Notes:**

- Products manufactured in accordance with CSA A23.4
- Designed for Boulevard (Off-Road) Use - H-20 Static Loading
- Steel Products manufactured under CSA W47.1 in accordance to CSA W59
- Site Installation, Backfilling & Suitability for Use is the responsibility of others



19060-54th Avenue  
 Surrey, B.C. V3S 8E5

Tel (604) 576-1808  
 surrey.precast@armtec.com

**B937 Cast Iron & Steel Covers**

Cast Iron: 27 lbs / 12 kgs  
 Steel Checker Plate: 30 lbs / 14 kgs

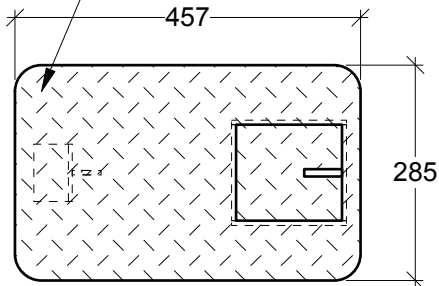
Scale: 1:10 mm

Rev: 28Jun08

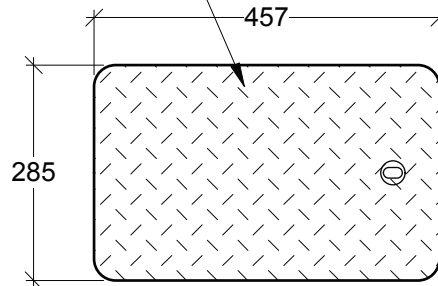
Dwg#: **B937-ZZ-LIDS-C**

Painted Black, Bolt-down, Steel Checker Plate Lids

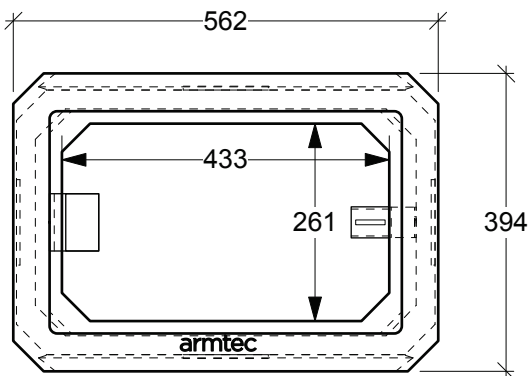
**Options:** Galvanizing, Padlock Recess  
Remote Reader Holes  
Weld Marking e.g. "ELEC"



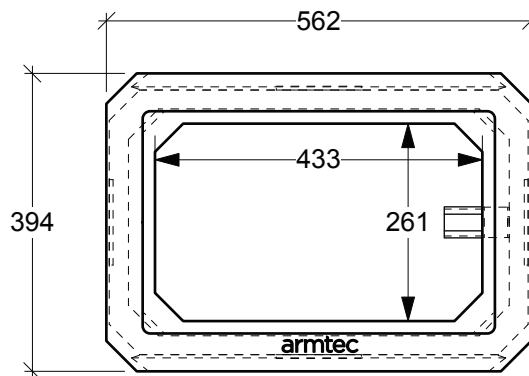
**Plan View**  
**Steel Lid**



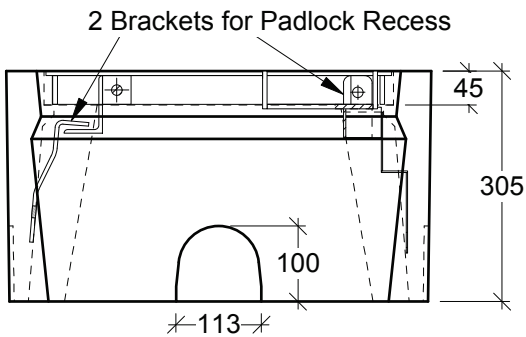
**Plan View**  
**Steel Lid**



**Plan View**

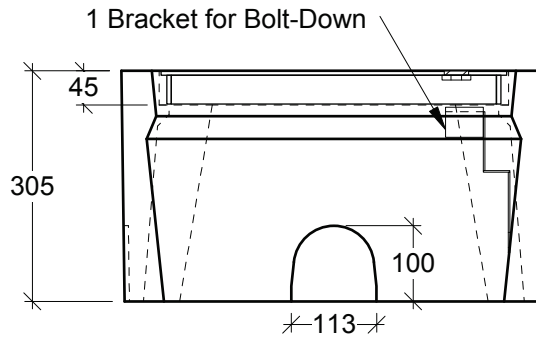


**Plan View**



**Side View**

**Padlock Recess**



**Side View**

**Bolt Down**

**General Notes:**

- Products manufactured in accordance with CSA A23.4
- Designed for Boulevard (Off-Road) Use - H-20 Static Loading
- Steel Products manufactured under CSA W47.1 in accordance to CSA W59
- Site Installation, Backfilling & Suitability for Use is the responsibility of others.



19060-54th Avenue  
Surrey, B.C. V3S 8E5

Tel (604) 576-1808  
surrey.precast@armtec.com

**B937 Box w/ Tamper Proof Lid Options**

Lid: 20 lbs / 10 kgs  
Box: 105 lbs / 50 kgs  
Total: 125 lbs / 60 kgs

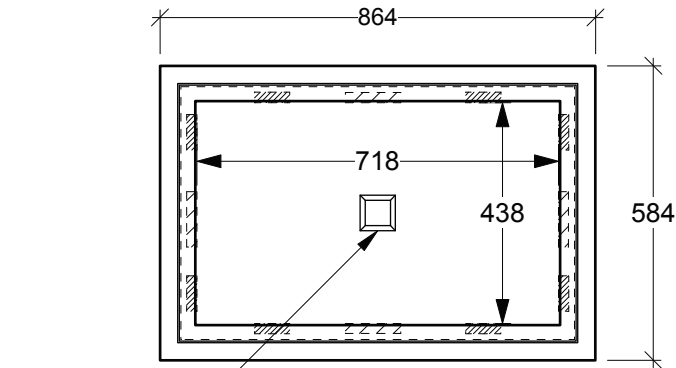
Scale: 1:10 mm

Rev: 28Jun08

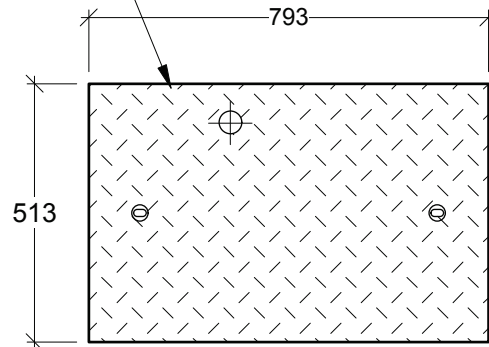
Dwg#: **B937-N3-LREC-C**

Painted Black, Bolt-down, Steel Checker Plate Lids

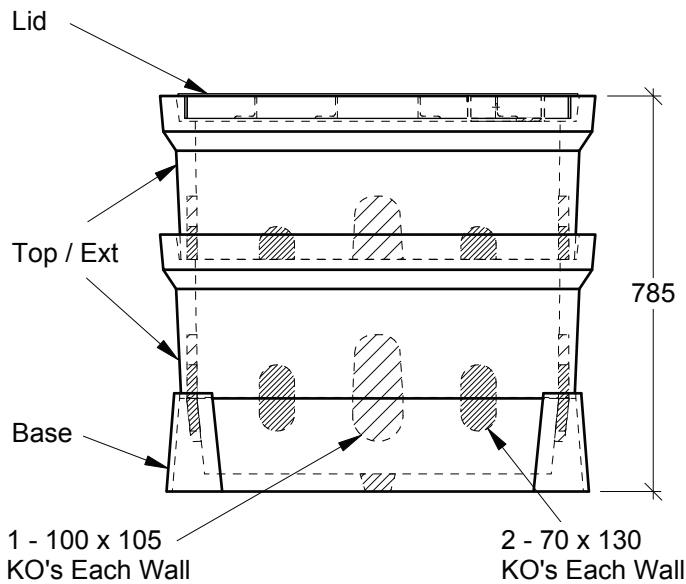
**Options:** Galvanizing, Padlock Recess  
Remote Reader Holes  
Weld Marking e.g. "ELEC"



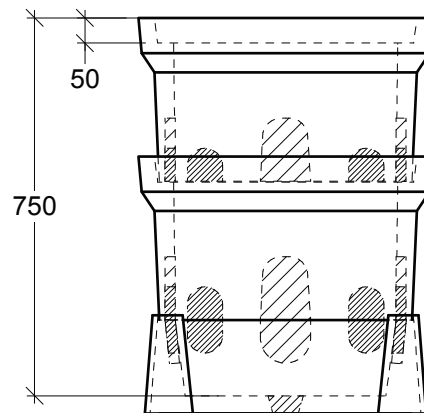
**Plan View**



**Plan View - Lid**



**Side View**



**End View**

**General Notes:**

- Products manufactured in accordance with CSA A23.4
- Designed for Boulevard (Off-Road) Use - H-20 Static Loading
- Steel Products manufactured under CSA W47.1 in accordance to CSA W59
- Site Installation, Backfilling & Suitability for Use is the responsibility of others.



19060-54th Avenue  
Surrey, B.C. V3S 8E5

Tel (604) 576-1808  
surrey.precast@armtec.com

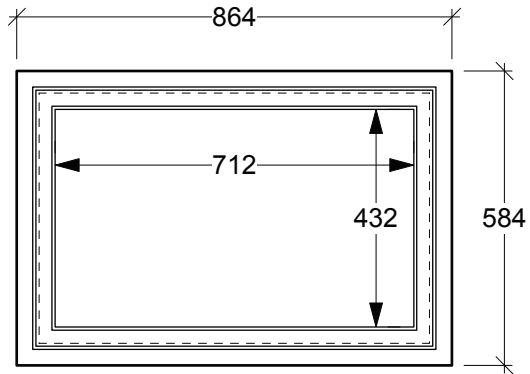
**T266 Service Box - Complete**

Lid: 65 lbs / 30 kgs  
Top/Ext: 140 lbs / 65 kgs  
Base: 170 lbs / 30 kgs Total: 515 lbs / 240 kgs

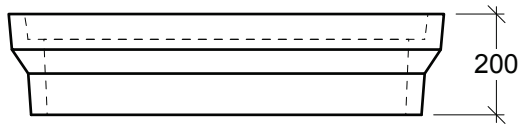
Scale: 1:15 mm

Rev: 28Jun08

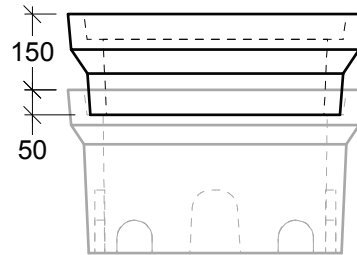
Dwg#: **T266-N3-ZZZZ-C**



**Plan View**



**Side View**



**End View**

**General Notes:**

- Products manufactured in accordance with CSA A23.4
- Designed for Boulevard (Off-Road) Use - H-20 Static Loading
- Site Installation, Backfilling & Suitability for Use is the responsibility of others



19060-54th Avenue  
Surrey, B.C. V3S 8E5

Tel (604) 576-1808  
surrey.precast@armtec.com

**T266 Top / Extension 150 High**

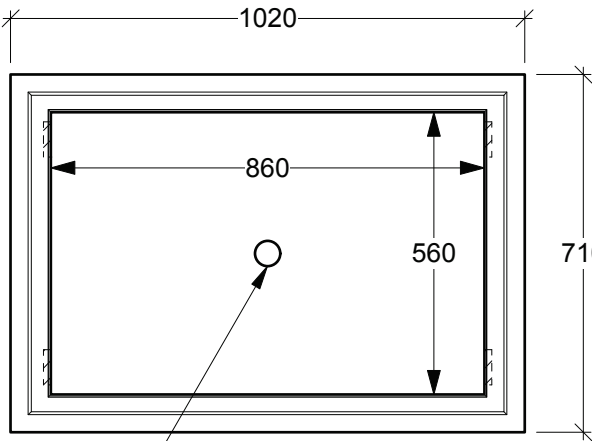
Top/Ext: 70 lbs / 35 kgs

Scale: 1:15 mm

Rev: 28Jun08

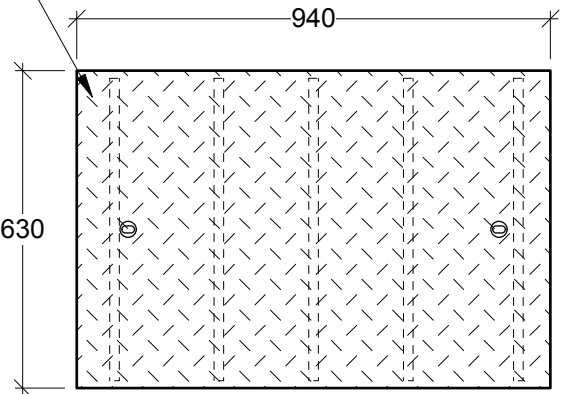
Dwg#: **T266-00-0150-C**

Painted Black, Boltdown, Steel Checker Plate Lids  
**Options:** Galvanizing, Padlock Recess  
 Remote Reader Holes  
 Weld Marking e.g. "ELEC"

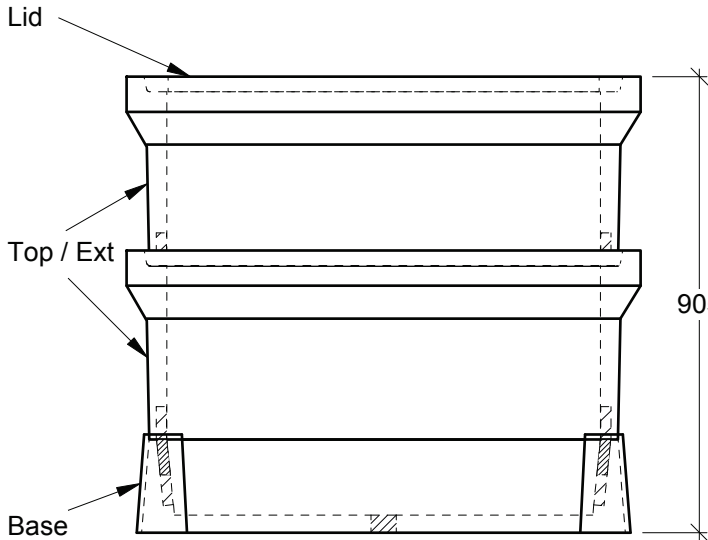


50Ø Drain Hole  
 in Center

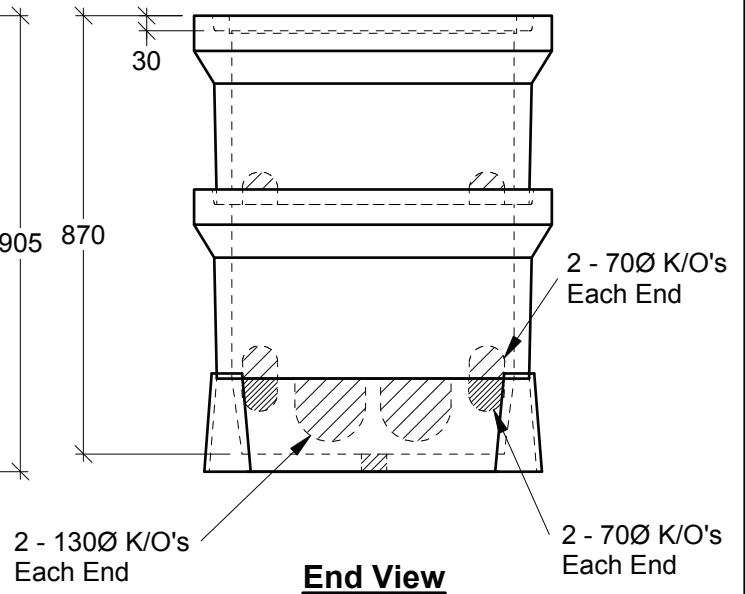
**Plan View**



**Plan View - Lid**



**Side View**



**End View**

**General Notes:**

- Products manufactured in accordance with CSA A23.4
- Designed for Boulevard (Off-Road) Use - H-20 Static Loading
- Steel Products manufactured under CSA W47.1 in accordance to CSA W59
- Site Installation, Backfilling & Suitability for Use is the responsibility of others.



19060-54th Avenue  
 Surrey, B.C. V3S 8E5

Tel (604) 576-1808  
 surrey.precast@armtec.com

**5686 Service Box - Complete**

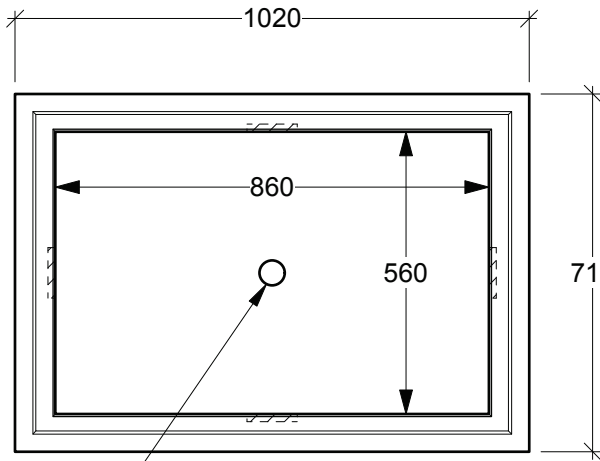
Lid: 100 lbs / 45 kgs  
 Top/Ext: 195 lbs / 90 kgs  
 Base: 175 lbs / 80 kgs Total: 665 lbs / 305 kgs

Scale: 1:15 mm

Rev: 28Jun08

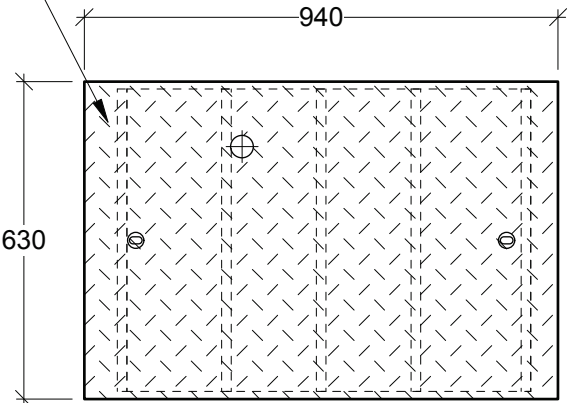
Dwg#: **5686-N3-ZZZZ-C**

Painted Black, Bolt-down, Steel Checker Plate Lids  
**Options:** Galvanizing, Padlock Recess  
 Remote Reader Holes  
 Weld Marking e.g. "ELEC"

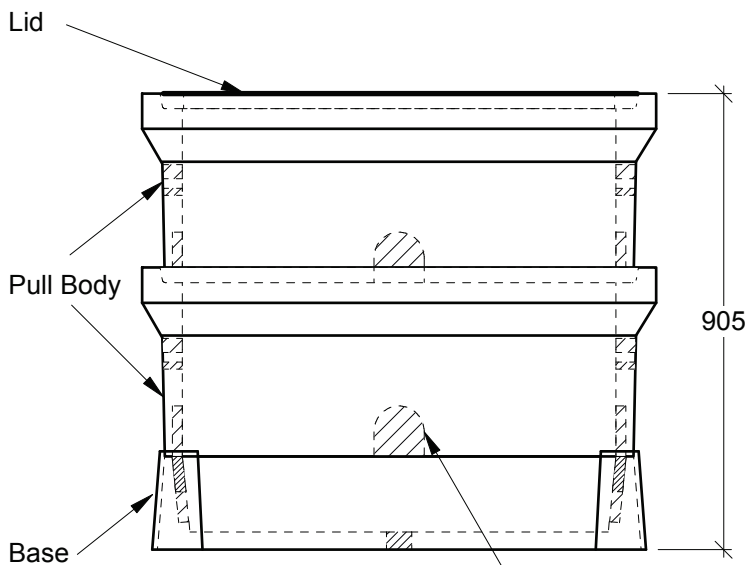


50Ø Drain Hole  
 in Center

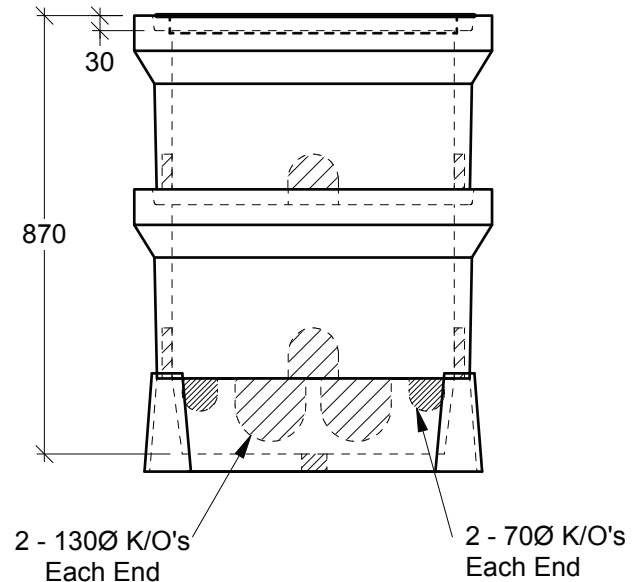
**Plan View**



**Plan View - Lid**



**Side View**



**End View**

**General Notes:**

- Products manufactured in accordance with CSA A23.4
- Designed for Boulevard (Off-Road) Use - H-20 Static Loading
- Steel Products manufactured under CSA W47.1 in accordance to CSA W59
- Site Installation, Backfilling & Suitability for Use is the responsibility of others



19060-54th Avenue  
 Surrey, B.C. V3S 8E5

Tel (604) 576-1808  
 surrey.precast@armtec.com

**5686 Watermeter Service Box - Complete**

Lid: 100 lbs / 45 kgs  
 Pull Body: 195 lbs / 90 kgs  
 Base: 175 lbs / 80 kgs Total: 665 lbs / 305 kgs

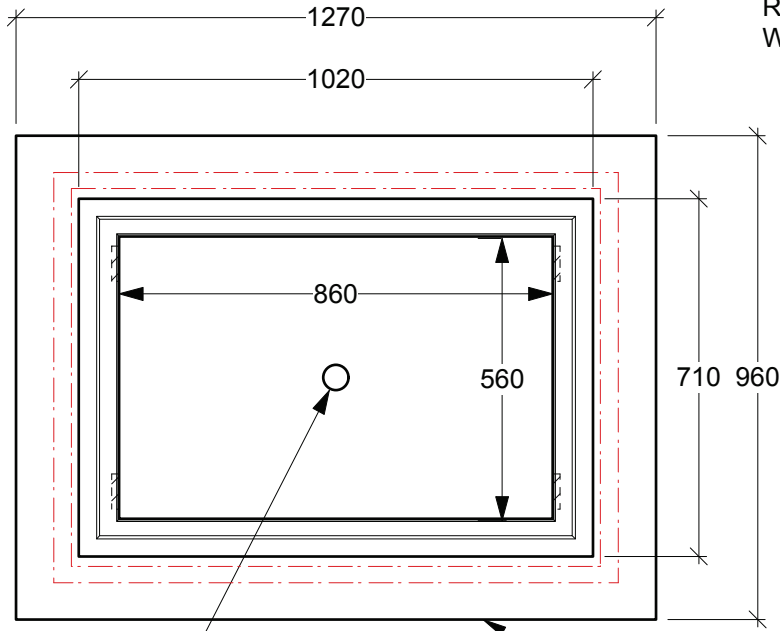
Scale: 1:15 mm

Rev: 28Jun08

Dwg#: **5686-25-0375-C**

Painted Black, Boltdown, Steel Checker Plate Lids

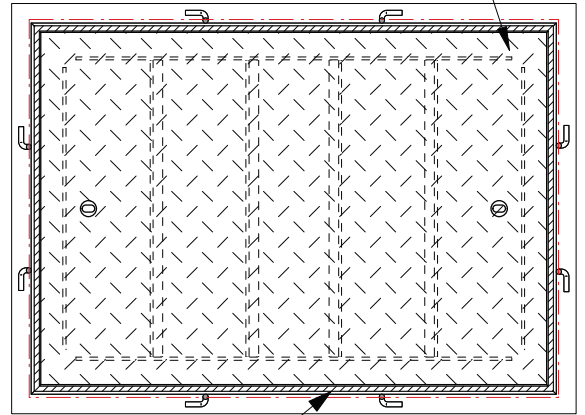
**Options:** Galvanizing, Padlock Recess  
Remote Reader Holes  
Weld Marking e.g. "ELEC"



50Ø Drain Hole  
in Center

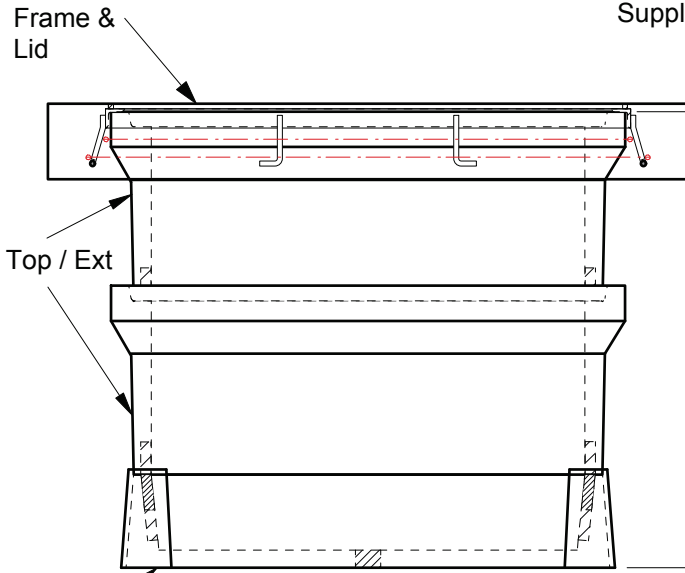
**Plan View**

**Note:**  
Concrete Perimeter  
to be Cast-in Place  
by Others  
2-10M Rebar Bands  
Supplied w/ Frame

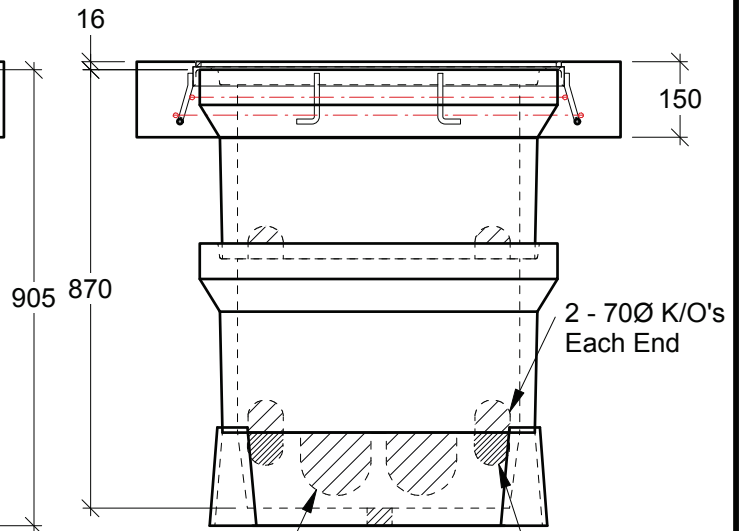


Galvanized  
Frame

**Plan View  
Steel Frame & Lid**



**Side View**



2 - 130Ø K/O's  
Each End

**End View**

2 - 70Ø K/O's  
Each End

2 - 70Ø K/O's  
Each End

**General Notes:**

- Products manufactured in accordance with CSA A23.4
- Designed for Boulevard (Off-Road) Use - Occasional H-20 Loading
- Steel Products manufactured under CSA W47.1 in accordance to CSA W59
- Site Installation, Backfilling & Suitability for Use is the responsibility of others



19060-54th Avenue  
Surrey, B.C. V3S 8E5

Tel (604) 576-1808  
surrey.precast@armtec.com

**5686 Superimposed Service Box - Complete**  
(w/ Frame & Cover)

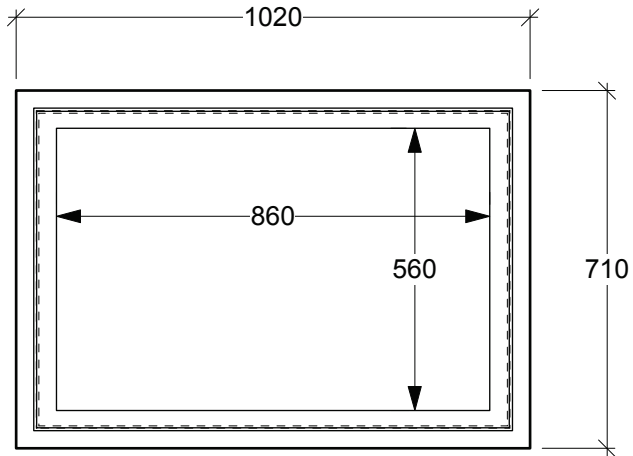
Lid: 110 lbs / 50 kgs  
Frame: 35 lbs / 15 kgs  
Top/Ext: 195 lbs / 90 kgs

Base: 175 lbs / 80 kgs  
Total: 710 lbs / 325 kgs

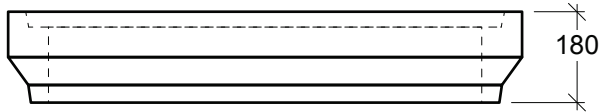
Scale: 1:15 mm

Rev: 27Mar12

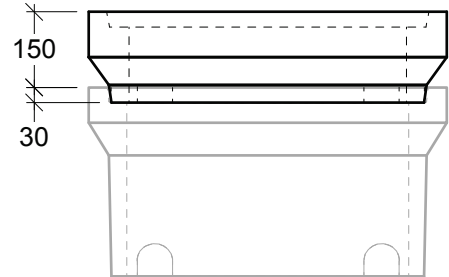
Dwg#: **5686-N3-SUPR-C**



**Plan View**



**Side View**



**End View**

**General Notes:**

- Products manufactured in accordance with CSA A23.4
- Designed for Boulevard (Off-Road) Use - H-20 Static Loading
- Site Installation, Backfilling & Suitability for Use is the responsibility of others



19060-54th Avenue  
Surrey, B.C. V3S 8E5

Tel (604) 576-1808  
surrey.precast@armtec.com

**5686 Top / Extension 150 High**

Top/Ext: 130 lbs / 60 kgs

Scale: 1:15 mm

Rev: 25Jan06

Dwg#: **5686-00-0150-C**

## SOLUTIONS FOR A BETTER WORLD

As a leader in precast concrete, corrugated steel and high density polyethylene pipe, Armtec aspires to be a premier provider of materials and solutions to infrastructure markets in Canada and around the world. We bring over 100 years of success serving the Canadian and global infrastructure markets. Today, our products and solutions build on this legacy of excellence - and we remain focused on leveraging our market-leading positions to bring improved value to our customers, employees and shareholders.



# armtec

VISION | BUILT



19060-54th Avenue,  
Surrey, BC  
V3S 8E5  
Canada

TEL. 1-604-576-1808  
surrey.precast@armtec.com

ARMTEC.COM

