

ITEM NO: _____

MODEL:
Encore® KN84-8105-CE4

PRODUCT NAME:
Widespread Faucet with 5" Cast spout and 4" wrist blade handles



Encore by CHG  SANIGUARD™

OPTIONAL MODEL NUMBERS:

- KN84-8105-CA4 0.5 GPM PCA Spray, vandal proof
- KN84-8105-CB4 1.5 GPM Laminar vandal resistant
- KN84-8105-CC4 0.5 GPM PCA Spray
- KN84-8105-CD4 2.2 GPM Laminar

TECHNICAL/PERFORMANCE

SPECIFICATIONS:

Commercial Specification Grade
Gaskets and Seals Rated Commercial Hot 180°F
1/2" NPS Male Inlets w/1/2" tube compression seals & nuts
1/4" Turn ceramic disc cartridge valves w/inline check valves
Laminar vandal resistant aerator 1.5 GPM @ 60 PSI
Operating Temperature: 40 - 180°F
Operating Pressure: 15 - 125psi

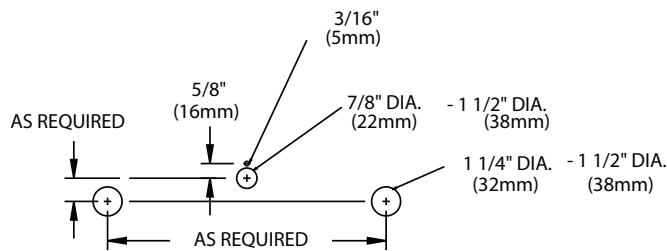
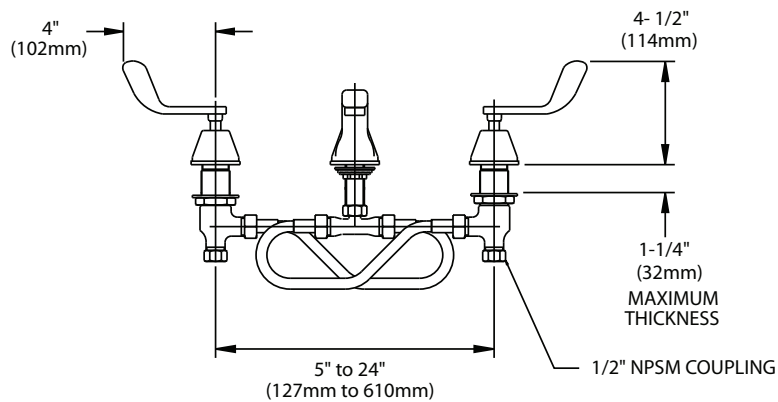
ENGINEERING SPECIFICATION:

Polished chrome-plated cast brass widespread faucet with adjustable inlet centers from 5" [127mm] to 24" [610mm], an 5" [127mm] rigid cast spout and quarter turn ceramic disc cartridges w/inline check valves. Unit is furnished with a 2.2 GPM [8.3 L] laminar flow aerator. Color-coded 4" wrist handles treated with SANIGUARD®, mounting hardware and 1/2" [13mm] NPSM coupling nuts for standard lavatory risers. Widespread accommodates installations up to 1-1/4" [32mm] thick. Base gaskets w/sealant recess & Anti-rotation pin for optional installation included.

COMPLIES WITH:
ASME A112.18.1-2005
CSA B125.1-05
ANSI/NSF STD 61 Section 9



MODEL: Encore® KN84-8105-CE4



OPTIONS:

Handles

K50-0110
K50-0001-6
K50-X011

Lever Handles
6" Wrist Blade Handles
Cross Handle Replacement Kit

Aerators

KN50-X203-A
KN50-X203-F
KN50-X121-A
KN50-X121-F

0.5 GPM PCA Spray, vandal resistant
1.5 GPM Laminar vandal resistant
0.5 GPM PCA Spray
1.5 GPM Laminar