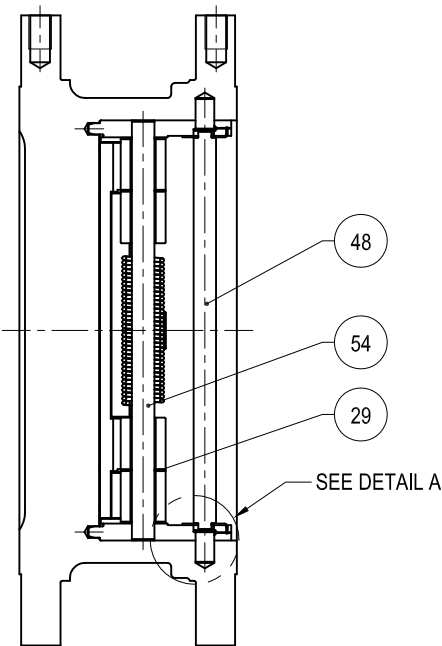


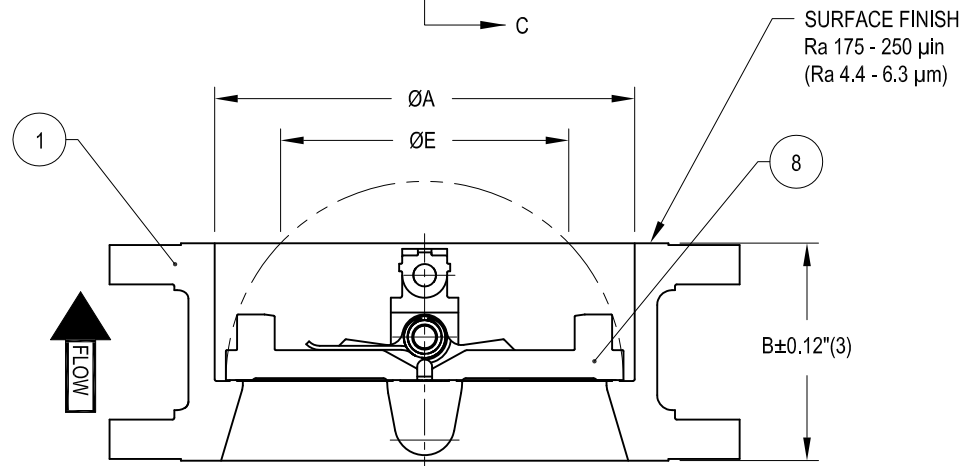
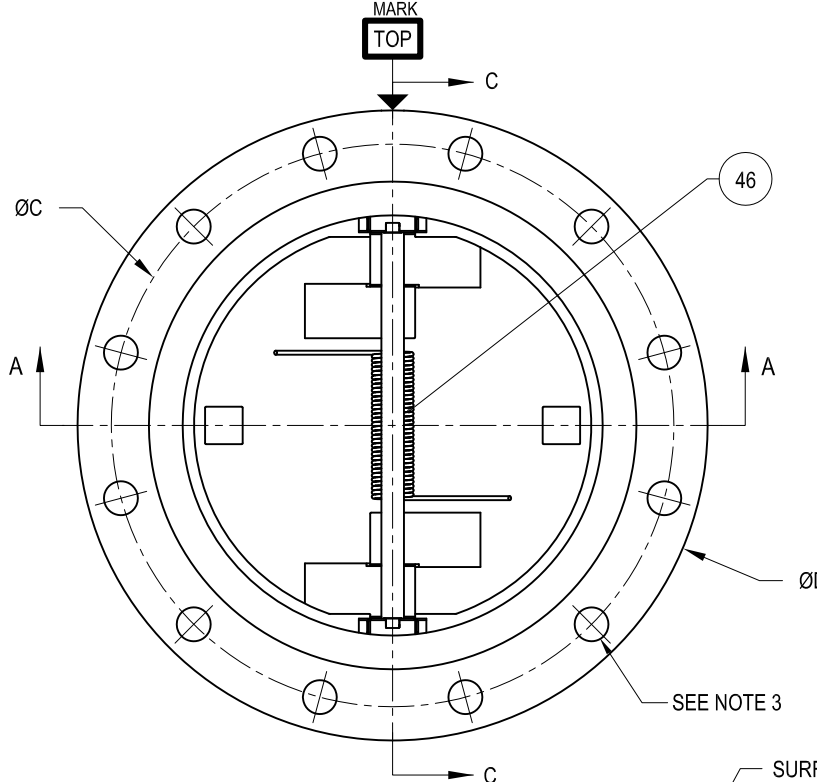
NPS	REF NO	ØA	B	ØC	ØD	ØE	Cv	WT
								(LB)
12	599-12000	12.75	7.13	17.00	19.00	11.15	3850	220
14	599-14000	14.00	7.25	18.75	21.00	12.10	5000	272
16	599-16000	16.00	7.50	21.25	23.50	13.90	7250	340
18	599-18000	18.00	8.00	22.75	25.00	15.95	10000	410
20	599-20000	20.00	8.63	25.00	27.50	17.75	12400	522
24	599-24000	24.00	8.75	29.50	32.00	21.68	23000	760
30	599-30001	30.00	12.00	36.00	38.75	27.81	40000	1750
36	599-36000	36.00	14.50	42.75	46.00	33.47	60000	2541
42	599-42000	42.00	17.00	49.50	53.00	39.20	90000	4220

DN	REF NO	ØA	B	ØC	ØD	ØE	Kv	WT
								(KG)
300	599-12000	324	181	432	483	283	3273	100
350	599-14000	356	184	476	533	307	4250	123
400	599-16000	406	191	540	597	353	6163	154
450	599-18000	457	203	578	635	405	8500	186
500	599-20000	508	219	635	699	451	10540	237
600	599-24000	610	222	749	813	551	19550	345
750	599-30001	762	305	914	984	706	34000	794
900	599-36000	914	368	1086	1168	850	51000	1152
1050	599-42000	1067	432	1257	1346	996	76500	1914

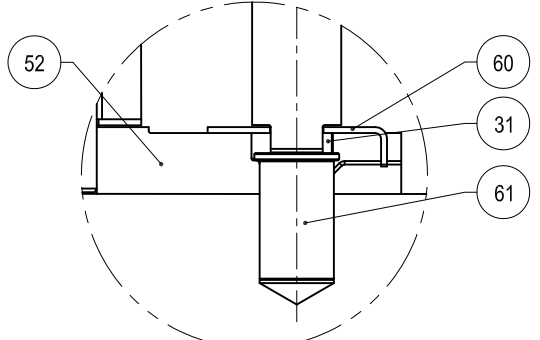
MATERIAL LIST					
PART	DESCRIPTION	QTY	MATERIAL	MATL SPEC	REMARKS
1	BODY	1	WCB	ASTM A216	ALT: CS/A105; VEL-OPI-S2
8	DISC	2	WCB	ASTM A216	ALT: CS/A105; VEL-OPI-S2
29	BEARING	4	316	ASTM A276/A240	NPS 14 & ABOVE ONLY
31	LOCK PIN	2	316	ASTM A240	
46	SPRING	1	INCONEL ® X-750	AMS 5699	
48	STOP PIN	1	S21800	ASTM A479	NITRONIC 60
52	HOLDER	2	STELLITE ® 6	AMS 5387	
54	HINGE PIN	1	S21800	ASTM A479	NITRONIC 60
60	LOCK WASHER	2	316	ASTM A240	
61	RETAINER PIN	2	S21800	ASTM A479	NITRONIC 60
66A	NAMEPLATE	1	SS	COMMERCIAL	
66B	TAG PLATE	1	SS	COMMERCIAL	
66D	CE NAMEPLATE	1	SS	COMMERCIAL	



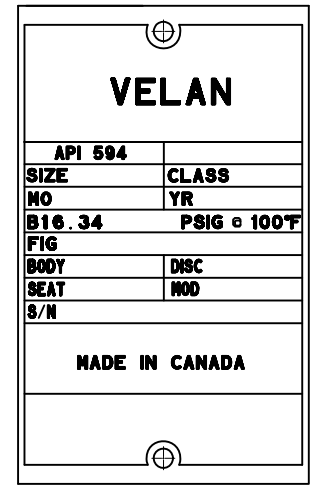
SECTION C-C



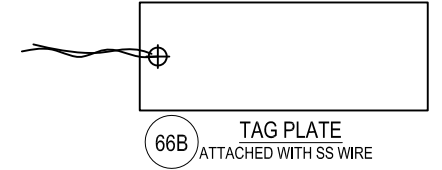
SECTION A-A



DETAIL A



66A NAMEPLATE



66B TAG PLATE ATTACHED WITH SS WIRE

"DISCLAIMER"
DUE TO THE POSSIBILITY OF DESIGN MODIFICATIONS THIS DRAWING IS TO BE USED AS A GUIDELINE ONLY. VELAN WILL NOT ACCEPT ANY LIABILITY FOR MISMATCH BETWEEN THIS DRAWING AND THE PRODUCT SUPPLIED.

NOTES:

1. VALVES DESIGNED IN ACCORDANCE WITH API 594 AND ASME B16.34.
2. VALVE PROFILE MAY VARY.
3. BOLTING PATTERN IS IN ACCORDANCE WITH ASME B16.5 FOR UP TO NPS 24, AND ASME B16.47 SERIES A FOR > NPS 24.
4. THE HINGE PIN (PART 54) MUST BE VERTICAL FOR HORIZONTAL FLOW.
5. DIMENSIONS SHOWN IN PARENTHESES () ARE IN MM.
6. VEL-OPI-S2 : STELLITE® 21
7. THE "CE" MARK SHALL BE AFFIXED TO THE VALVE FOR THE COUNTRY WHERE APPLICABLE.

-	FIRST ISSUE	D. ALCANTARA 2011-09-14	V. IRUNCA 2011-09-14	P. MAJOR 2011-09-14
REV	REVISION DESCRIPTION	DRAWN	APVD	IR CERT
		YYYY-MM-DD		
CUST NAME		CUST ORDER NO		
		<p>DUAL-PLATE CHECK VALVE (FLANGED)</p>		
VELAN REF	SCALE NTS	NPS (DN) 12 - 42 (300 - 1050)	CLASS (PN) 150 (20)	
<small>THIS DOCUMENT AND ALL INFORMATION HEREIN IS THE PROPERTY OF VELAN. IT IS CONFIDENTIAL. SUBJECT TO RETURN UPON REQUEST AND SHALL NOT BE REPRODUCED OR IMPARTED TO A THIRD PARTY. CE DOCUMENT ET TOUS LES RENSEIGNEMENTS QU'IL RENFERME SONT LA PROPRIÉTÉ DE VELAN. IL S'AGIT D'UN DOCUMENT CONFIDENTIEL, À REMETTRE SUR DEMANDE, QUI NE DOIT PAS ÊTRE COPIÉ OU TRANSMIS À UN TIERS.</small>				DWG NUMBER 5PF-002B89-3XB-01
				REV - SHT 1 OF 1