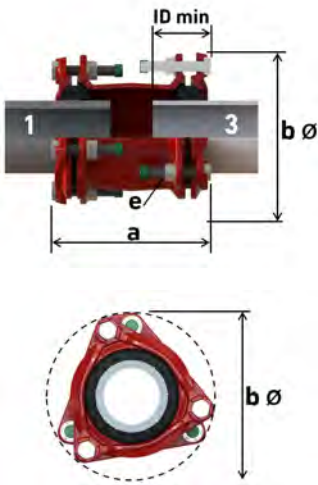


MULTI/JOINT® 3000 Plus (DN50 - DN825) Restraint



MULTI/JOINT® 3007 Plus Wide Range Coupling, restraint, Uni/Fiksers

Model:

- Suitable for all kinds of pipe material
- Suitable for water and gas (EPDM only for potable water)
- Ductile cast iron GGG45 body and clamping ring(s), acc. to EN-GJS-450-10
- RESICOAT® epoxy powder coating, according to GSK standards and EN 14901
- NBR or EPDM gasket, NBR acc. to EN 682 (-5°C up to +50°C), EPDM acc. to EN 681-1 (0°C up to +50°C)
- Angular deflection of max. 8° per socket at installation (based on the middle of the range)
- Stainless steel A4 quality (AISI 316) Uni/Fiksers
- Stainless steel A2 quality (AISI 304) or A4 quality (AISI 316) bolts, nuts and washers
- Hygiene protection included DN50 - DN825

Installation instruction:

- Read the user manual
- For restraint versions, on plastic pipes, the use of an insert stiffener (see accessories) is mandatory, check our technical information
- Please note, when using a MULTI/JOINT® DN625 till DN800 on plastic pipes, the use of the insert stiffener MJ DN625 - DN800 (see accessories) is mandatory
- * DN350 & DN400 for plastic pipe materials = PN 10 bar water / MOP 5 bar gas

Note:

ID min. = minimum insertion depth
DN625 - DN1025 for water applications only

DN (mm)	Range 1 (mm)	Range 3 (mm)	NBR / A2 Code	PF	EPDM / A2 Code	PF	Weight (kg)
50	46 - 71	46 - 71	709 305 210	1 54 323 061	709 305 610	1 54 323 061	5.100
65	63 - 90	63 - 90	709 305 212	1 54 323 061	709 305 612	1 54 323 061	6.100
80	84 - 105	84 - 105	709 305 214	1 54 323 061	709 305 614	1 54 323 061	7.300
100	104 - 132	104 - 132	709 305 216	1 54 323 061	709 305 616	1 54 323 061	9.200
125	132 - 155	132 - 155	709 305 218	1 54 323 061	709 305 618	1 54 323 061	12.300
150	154 - 192	154 - 192	709 305 220	1 54 323 061	709 305 620	1 54 323 061	16.500
200	192 - 232	192 - 232	709 305 224	1 54 323 061	709 305 624	1 54 323 061	26.900
225	230 - 268	230 - 268	709 305 226	1 54 323 061	709 305 626	1 54 323 061	39.500
250	267 - 310	267 - 310	709 305 228	1 54 323 061	709 305 628	1 54 323 061	41.100
300	315 - 356	315 - 356	709 305 232	1 54 323 061	709 305 632	1 54 323 061	53.700
350	352 - 393	352 - 393	709 305 236	1 54 323 061	709 305 636	1 54 323 061	68.100
400	392 - 433	392 - 433	709 305 240	1 54 323 061	709 305 640	1 54 323 061	68.700
425	432 - 464	432 - 464	709 305 242	1 54 323 071	709 305 642	1 54 323 071	92.300
450	450 - 482	450 - 482	709 305 272	1 54 323 071	709 305 672	1 54 323 071	96.800
475	481 - 513	481 - 513	709 305 273	1 54 323 071	709 305 673	1 54 323 071	100.200
500	500 - 532	500 - 532	709 305 274	1 54 323 071	709 305 674	1 54 323 071	105.700
550	548 - 580	548 - 580	709 305 276	1 54 323 071	709 305 676	1 54 323 071	117.300
600	605 - 637	605 - 637	709 305 278	1 54 323 071	709 305 678	1 54 323 071	137.500
625	630 - 662	630 - 662		1 54 323 071			
675	665 - 697	665 - 697		1 54 323 071			
700	709 - 741	709 - 741		1 54 323 071			
750	745 - 777	745 - 777		1 54 323 071			
800	799 - 831	799 - 831		1 54 323 071			
825	837 - 869	837 - 869		1 54 323 071			

DN (mm)	NBR / A4 Code	PF	EPDM / A4 Code	PF	Weight (kg)
50	709 305 010	1 54 323 061	709 305 310	1 54 323 061	5.100
65	709 305 012	1 54 323 061	709 305 312	1 54 323 061	6.100
80	709 305 014	1 54 323 061	709 305 314	1 54 323 061	7.300
100	709 305 016	1 54 323 061	709 305 316	1 54 323 061	9.200
125	709 305 018	1 54 323 061	709 305 318	1 54 323 061	12.300
150	709 305 020	1 54 323 061	709 305 320	1 54 323 061	16.500

table continued on the next page