

AVPTC Communicating Air Handler

AVPTC25B14BA
AVPTC25B14BB
AVPTC29B14BA
AVPTC29B14BB
AVPTC31C14BA
AVPTC31C14BB
AVPTC33C14BA
AVPTC33C14BB
AVPTC35B14BA
AVPTC35B14BB
AVPTC37B14BA
AVPTC37B14BB
AVPTC37C14BA
AVPTC37C14BB
AVPTC37D14BA
AVPTC37D14BB
AVPTC39C14BA
AVPTC39C14BB
AVPTC49C14BA
AVPTC49C14BB
AVPTC49D14BA
AVPTC49D14BB
AVPTC59C14BA
AVPTC59C14BB
AVPTC59D14BA
AVPTC59D14BB
AVPTC61D14BA
AVPTC61D14BB



Amana® is a registered trademark of Maytag Corporation or its related companies and is used under license. All rights reserved.

This manual is to be used by qualified technicians only.

This manual replaces RP-A4315.

© 2019 , 2021 Goodman Company, L.P. ♦ 5151 San Felipe St, Suite 500 ♦ Houston, TX 77056

Important Information

Index

Functional Parts List	3
Illustration and Parts	4 - 9

Views shown are for parts illustrations only, not servicing procedures

Text Codes:

AR - As Required

NA - Not Available

NS - Not Shown

00000000 - See Note

QTY - Quantity Example (QTY 3) (If Quantity not shown, Quantity = 1)

M - Model Example (M1) (If M Code not shown, then part is used on all Models)

Expanded Model Nomenclature:

Example M1 - Model#1 M2 - Model#2 M3 - Model#3

Goodman Company, L.P. is not responsible for personal injury or property damage resulting from improper service. Review all service information before beginning repairs.

Warranty service must be performed by an authorized technician, using authorized factory parts. If service is required after the warranty expires, Goodman Company, L.P. also recommends contacting an authorized technician and using authorized factory parts.

Goodman Company, L.P. reserves the right to discontinue, or change at any time, specifications or designs without notice or without incurring obligations.

For assistance within the U.S.A. contact:

Homeowner Support
Goodman Company, L.P.
19001 Kermier Road
Waller, Texas 77484
877-254-4729-Telephone
713-863-2382-Facsimile

For assistance outside the U.S.A. contact:

International Division
Goodman Company, L.P.
19001 Kermier Road
Waller, Texas 77484
713-861-2500-Telephone
713-863-2382-Facsimile

Functional Parts

Part

No: Description:

0131M00272	MOTOR, 1 HP, SERIAL ECM (M23, M24, M25, M26, M27, M28)
0131M00270	MOTOR, 1/2 HP, SERIAL ECM (M1, M2, M7, M8, M9, M10)
0131M00271	MOTOR, 3/4 HP, SERIAL ECM (M3, M4, M5, M6, M11, M12, M13, M14, M15, M16, M17, M18, M19, M20, M21, M22)
SHARED DATA	Available thru CoolCloud HVAC app
PCBJA106	PCB, CONTROL, AIR HANDLER (M2, M4, M6, M8, M10, M12, M14, M16, M18, M20, M22, M24, M26, M28)
PCBJA105	PCB, CONTROL, AIR HANDLER (M1, M3, M5, M7, M9, M11, M13, M15, M17, M19, M21, M23, M25, M27)
0130M00330	TRANSFORMER, 208/230, 24V (QTY 2)
0151R00199	VALVE, TXV R-410/A (M23, M24, M25, M26, M27, M28)
0151R00198	VALVE, TXV R-410/A (M11, M12, M13, M14, M15, M16, M21, M22)
0151R00197	VALVE, TXV R-410/A (M1, M2, M3, M4, M5, M6)
0151M00067	VALVE, TXV R-410A BOOSTER CHG (M19, M20)
0151M00066	VALVE, TXV R-410A BOOSTER CHG (M9, M10, M17, M18)
0151M00065	VALVE, TXV R-410A BOOSTER CHG (M7, M8)

SPECIAL PARTS

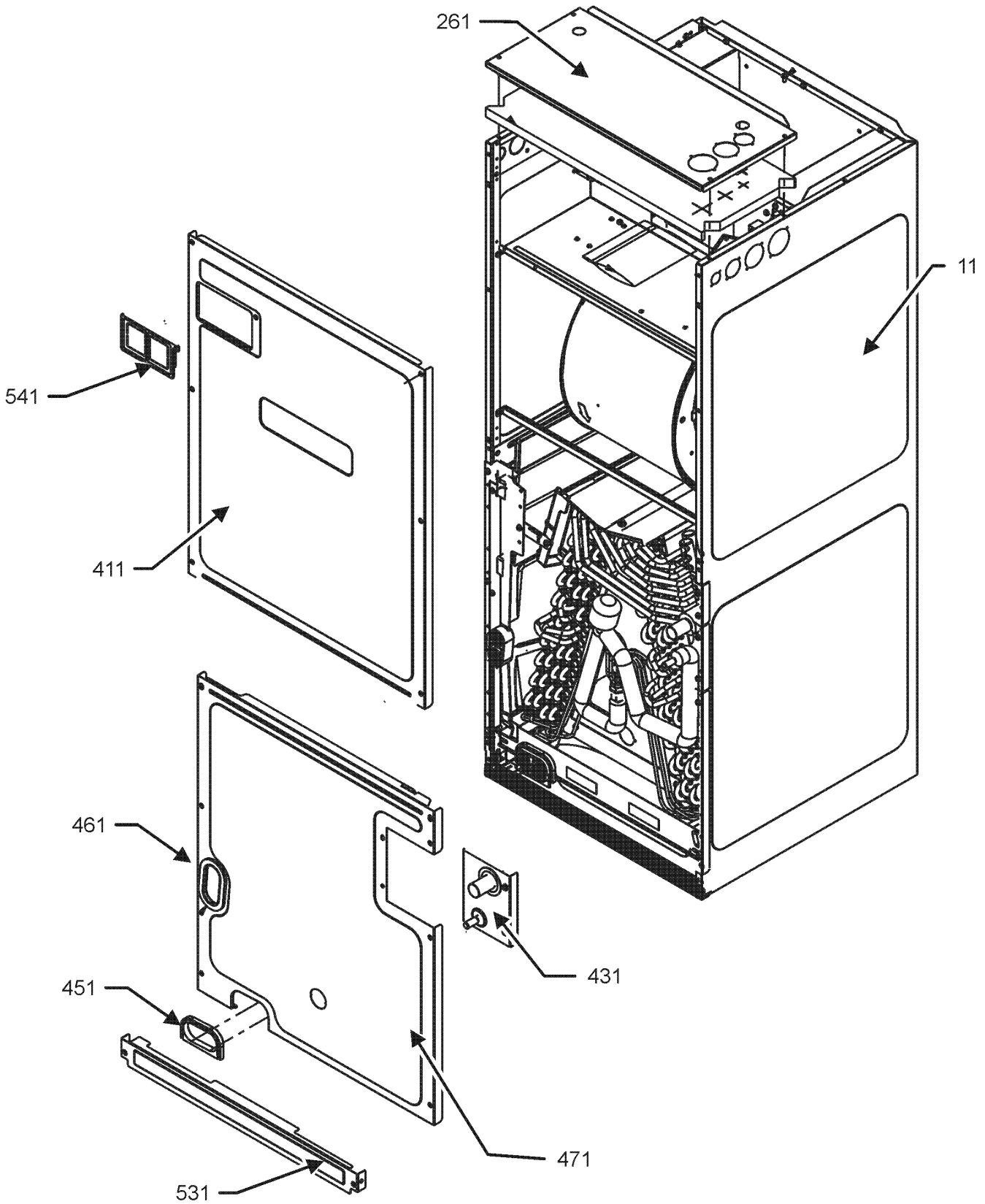
PKCG-4001ZB	PISTON KIT CHART
-------------	------------------

Expanded Model Nomenclature

M1 - AVPTC25B14BA
M2 - AVPTC25B14BB
M3 - AVPTC29B14BA
M4 - AVPTC29B14BB
M5 - AVPTC31C14BA
M6 - AVPTC31C14BB
M7 - AVPTC33C14BA
M8 - AVPTC33C14BB
M9 - AVPTC35B14BA
M10 - AVPTC35B14BB
M11 - AVPTC37B14BA
M12 - AVPTC37B14BB
M13 - AVPTC37C14BA
M14 - AVPTC37C14BB
M15 - AVPTC37D14BA
M16 - AVPTC37D14BB
M17 - AVPTC39C14BA
M18 - AVPTC39C14BB
M19 - AVPTC49C14BA
M20 - AVPTC49C14BB
M21 - AVPTC49D14BA
M22 - AVPTC49D14BB
M23 - AVPTC59C14BA
M24 - AVPTC59C14BB
M25 - AVPTC59D14BA
M26 - AVPTC59D14BB
M27 - AVPTC61D14BA
M28 - AVPTC61D14BB

WRAPPER ASSEMBLY

WRAPPER ASSEMBLY



WRAPPER ASSEMBLY

Ref. Part

No: No: Description:

Ref. Part

No: No: Description:

Image 1:

11	0121A00455PDG	WRAPPER (M15, M16, M25, M26)
11	0121A00456PDG	WRAPPER (M5, M6, M13, M14, M23, M24)
11	0121A00458PDG	WRAPPER (M3, M4, M11, M12)
11	0121A00276PDG	WRAPPER, LARGE, PAINTED (M21, M22, M27, M28)
11	0121A00280PDG	WRAPPER, MED, PAINTED (M7, M8, M17, M18, M19, M20)
11	0121A00281PDG	WRAPPER, SM, PAINTED (M1, M2, M9, M10)
261	0121A00252PDG	Plate, Upper Tie, Ptd (M1, M2, M3, M4, M9, M10, M11, M12)
261	0121A00253PDG	Plate, Upper Tie, Ptd (M5, M6, M7, M8, M13, M14, M17, M18, M19, M20, M23, M24)
261	0121A00254PDG	Plate, Upper Tie, Ptd (M15, M16, M21, M22, M25, M26, M27, M28)
411	0121A00838PDG	PANEL, UPPER ACCESS (M1, M3, M9, M11)
411	0121A00836PDG	PANEL, UPPER ACCESS (M15, M21, M25, M27)
411	0121A00837PDG	PANEL, UPPER ACCESS (M5, M7, M13, M17, M19, M23)
411	0121A01440PDG	PANEL, UPPER ACCESS (M16, M22, M26, M28)
411	0121A01441PDG	PANEL, UPPER ACCESS (M6, M8, M14, M18, M20, M24)
411	0121A01442PDG	PANEL, UPPER ACCESS (M2, M4, M10, M12)
431	0121A00658PDG	Panel, Refrigerant Tubing
451	0154A00006BL	GASKET, DRAIN PAN
461	0154A00007BL	GASKET, DRAIN PAN
471	0121A00460PDG	LOWER ACCESS PANEL (M15, M16, M25, M26)
471	0121A00461PDG	LOWER ACCESS PANEL (M5, M6, M13, M14, M23, M24)
471	0121A00463PDG	LOWER ACCESS PANEL (M3, M4, M11, M12)
471	0121A00618PDG	LOWER ACCESS PANEL (M21, M22, M27, M28)
471	0121A00620PDG	LOWER ACCESS PANEL (M1, M2, M9, M10)
471	0121A00619PDG	LOWER ACCESS PANEL, PAINTED (M7, M8, M17, M18, M19, M20)
531	0121A00242PDG	Panel, Filter Access (M1, M2, M3, M4, M9, M10, M11, M12)
531	0121A00243PDG	Panel, Filter Access (M5, M6, M7, M8, M13, M14, M17, M18, M19, M20, M23, M24)
531	0121A00244PDG	Panel, Filter Access (M15, M16, M21, M22, M25, M26, M27, M28)
541	0161A00073	CIRCUIT BREAKER COVER
NS	0164A00002	GROMMET
NS	PKCG-4001ZB	PISTON KIT CHART
NS	0163M00036	SCREW,#10X1/2,B,BZ,SLOT,SR,BLK (QTY 4)
NS	0163A00026	THUMB SCREW (QTY 2)
NS	BT1392909	WASHER; SS RETAINING (QTY 2)

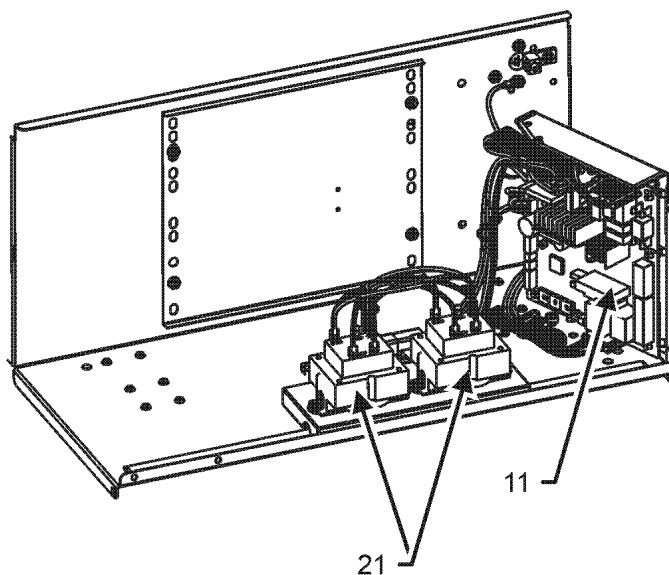
Expanded Model Nomenclature

M1 - AVPTC25B14BA
M2 - AVPTC25B14BB
M3 - AVPTC29B14BA
M4 - AVPTC29B14BB
M5 - AVPTC31C14BA
M6 - AVPTC31C14BB
M7 - AVPTC33C14BA
M8 - AVPTC33C14BB
M9 - AVPTC35B14BA
M10 - AVPTC35B14BB
M11 - AVPTC37B14BA
M12 - AVPTC37B14BB
M13 - AVPTC37C14BA
M14 - AVPTC37C14BB
M15 - AVPTC37D14BA
M16 - AVPTC37D14BB
M17 - AVPTC39C14BA
M18 - AVPTC39C14BB
M19 - AVPTC49C14BA
M20 - AVPTC49C14BB
M21 - AVPTC49D14BA
M22 - AVPTC49D14BB
M23 - AVPTC59C14BA
M24 - AVPTC59C14BB
M25 - AVPTC59D14BA
M26 - AVPTC59D14BB
M27 - AVPTC61D14BA
M28 - AVPTC61D14BB

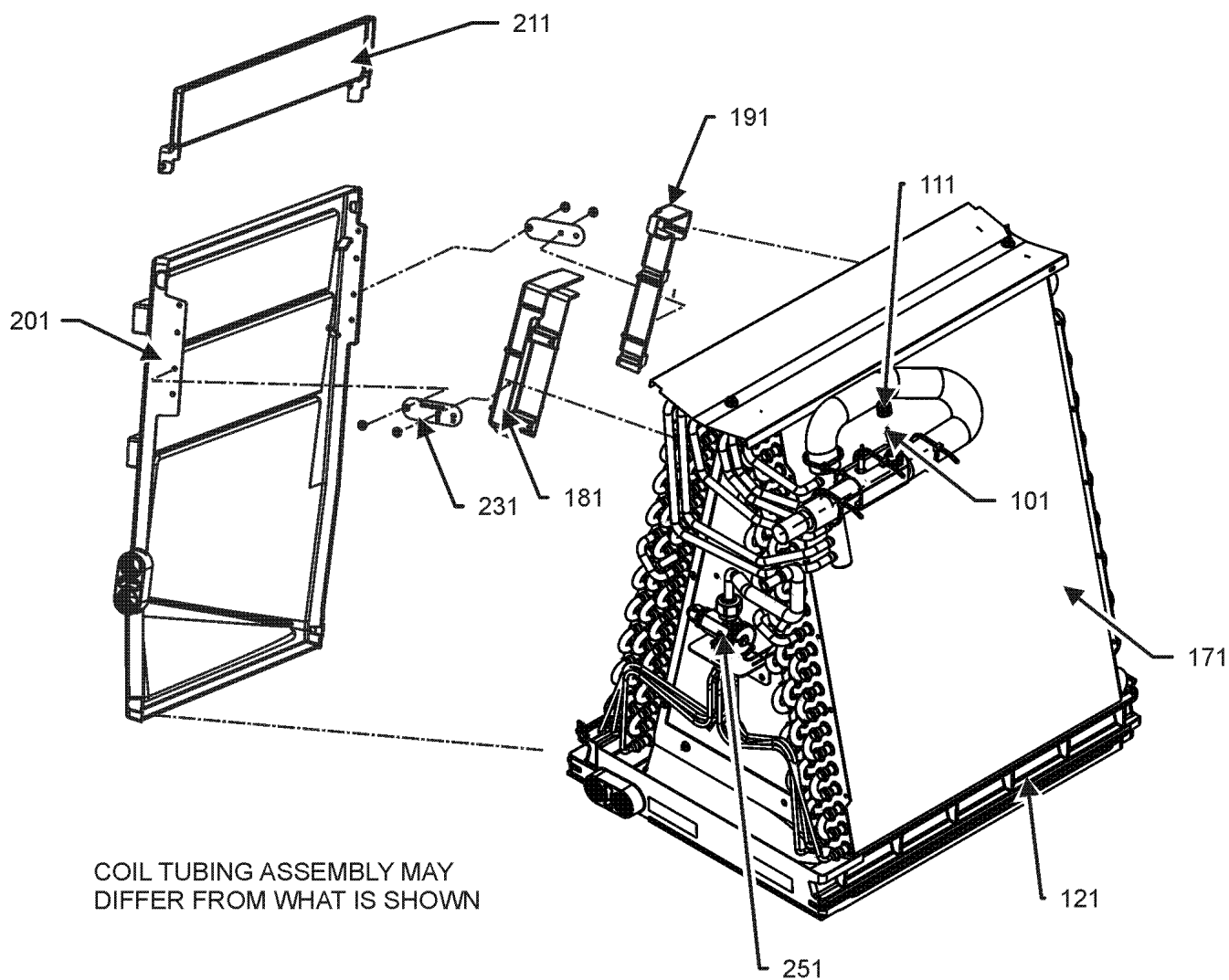
CONTROL BOX & COIL ASSEMBLY

CONTROL PANEL ASSEMBLY

NOTE: CONTROL PANEL ASSEMBLY MAY DIFFER FROM WHAT IS SHOWN



COIL TUBING ASSEMBLY



COIL TUBING ASSEMBLY MAY DIFFER FROM WHAT IS SHOWN

CONTROL BOX & COIL ASSEMBLY

Ref. Part No:	Ref. Part No:	Description:	Description:
Image 1:		Image 1:	
11	PCBJA105	PCB, CONTROL, AIR HANDLER (M1, M3, M5, M7, M9, M11, M13, M15, M17, M19, M21, M23, M25,	NS BT1369063 90 DEGREE STUB
11	PCBJA106	PCB, CONTROL, AIR HANDLER (M2, M4, M6, M8, M10, M12, M14, M16, M18, M20, M22, M24, M26, M28)	NS 0259A00021 WIRE ASSY, 9 PIN FEMALE CONN
21	0130M00330	TRANSFORMER, 208/230, 24V (QTY 2)	NS 0259A00033P WIRE ASSY, 9 PIN FEMALE CONN (M1, M3, M5, M7, M9, M11, M13, M15, M17, M19, M21, M23, M25, M27)
101	0163M00175	CAP WITH O-RING	NS 0259A00016 WIRE HARNESS (M2, M4, M6, M8, M10, M12, M14, M16, M18, M20, M22, M24, M26, M28)
111	B1787000	VALVE CORE	NS 0259A00031P WIRE HARNESS, CONNECTOR (M1, M3, M5, M7, M9, M11, M13, M15, M17, M19, M21, M23, M25,
121	0161A00049	DRAINPAN, VERTICAL (M1, M2, M3, M4, M9, M10, M11, M12)	
121	0161A00051	DRAINPAN, VERTICAL (M15, M16, M21, M22, M25, M26, M27, M28)	
121	0161A00052	DRAINPAN, VERTICAL (M5, M6, M7, M8, M13, M14, M17, M18, M19, M20, M23, M24)	
171	0270A00854	COIL TUBING ASSEMBLY (M3, M4)	
171	0270A00855	COIL TUBING ASSEMBLY (M13, M14)	
171	0270A00857	COIL TUBING ASSEMBLY (M15, M16)	
171	0270A00903	COIL TUBING ASSEMBLY (M1, M2)	
171	0270A00906	COIL TUBING ASSEMBLY (M17, M18)	
171	0270A01030	COIL TUBING ASSEMBLY (M11, M12)	
171	0270A01032	COIL TUBING ASSEMBLY (M23, M24)	
171	0270A01034	COIL TUBING ASSEMBLY (M27, M28)	
171	0270A01081	COIL TUBING ASSEMBLY (M5, M6)	
171	0270A01085	COIL TUBING ASSEMBLY (M25, M26)	
171	0270A01086	COIL TUBING ASSEMBLY (M21, M22)	
171	0270A01097	COIL TUBING ASSEMBLY (M19, M20)	
171	0270A01194	COIL TUBING ASSEMBLY (M7, M8)	
171	0270A01331	COIL TUBING ASSEMBLY (M9, M10)	
181	0161A00060	CONDENSATE, COLLECT, FRONT	
191	0161A00061	CONDENSATE, COLLECT, BACK	
201	0161A00055	DRAIN PAN HORIZONTAL, SMALL (M1, M2, M7, M8, M9, M10, M17, M18, M19, M20)	
201	0161A00053	DRAIN PAN HORIZONTAL, TALL (M3, M4, M5, M6, M11, M12, M13, M14, M15, M16, M21, M22, M23, M24, M25, M26, M27, M28)	
211	0161A00054	DRAIN PAN, EXTENSION, SMALL (M1, M2, M3, M4, M5, M6, M9, M10, M11, M12, M13, M14, M15, M16, M23, M24, M25, M26)	
211	0161A00056	DRAIN PAN, EXTENSION, TALL (M7, M8, M17, M18, M19, M20, M21, M22, M27, M28)	
231	0121A00633	BRACKET, DRIP SHIELD (M1, M2, M3, M4, M5, M6, M9, M10, M11, M12, M13, M14, M19, M20, M23, M24)	
231	0121A00634	BRACKET, DRIP SHIELD (M7, M8, M15, M16, M17, M18, M21, M22, M25, M26, M27, M28)	
251	0151R00197	VALVE, TXV R-410/A (M1, M2, M3, M4, M5, M6)	
251	0151R00198	VALVE, TXV R-410/A (M11, M12, M13, M14, M15, M16, M21, M22)	
251	0151R00199	VALVE, TXV R-410/A (M23, M24, M25, M26, M27, M28)	
251	0151M00065	VALVE, TXV R-410A BOOSTER CHG (M7, M8)	
251	0151M00066	VALVE, TXV R-410A BOOSTER CHG (M9, M10, M17, M18)	
251	0151M00067	VALVE, TXV R-410A BOOSTER CHG (M19, M20)	

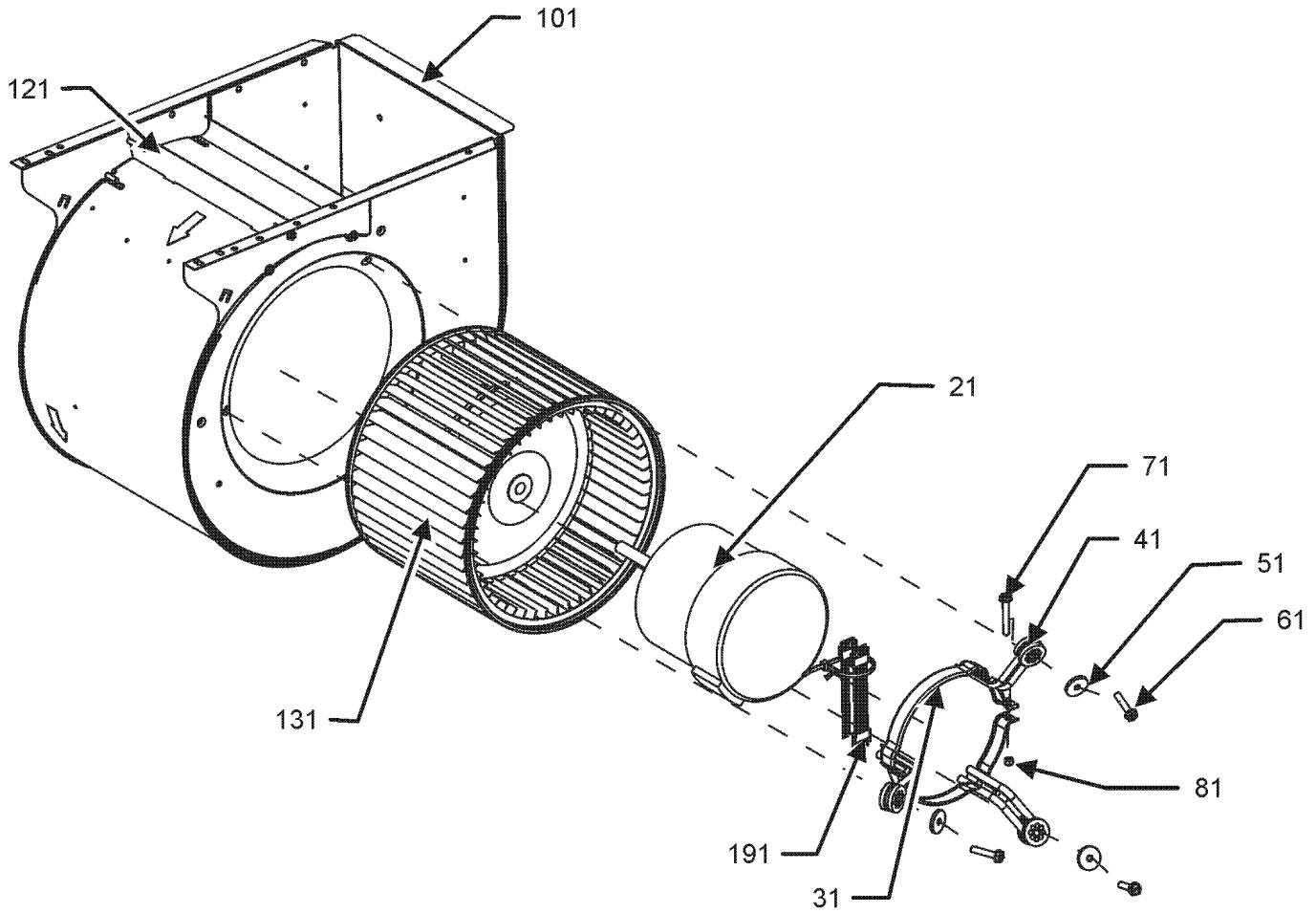
Expanded Model Nomenclature

M1 - AVPTC25B14BA
 M2 - AVPTC25B14BB
 M3 - AVPTC29B14BA
 M4 - AVPTC29B14BB
 M5 - AVPTC31C14BA
 M6 - AVPTC31C14BB
 M7 - AVPTC33C14BA
 M8 - AVPTC33C14BB
 M9 - AVPTC35B14BA
 M10 - AVPTC35B14BB
 M11 - AVPTC37B14BA
 M12 - AVPTC37B14BB
 M13 - AVPTC37C14BA
 M14 - AVPTC37C14BB
 M15 - AVPTC37D14BA
 M16 - AVPTC37D14BB
 M17 - AVPTC39C14BA
 M18 - AVPTC39C14BB
 M19 - AVPTC49C14BA
 M20 - AVPTC49C14BB
 M21 - AVPTC49D14BA
 M22 - AVPTC49D14BB
 M23 - AVPTC59C14BA
 M24 - AVPTC59C14BB
 M25 - AVPTC59D14BA
 M26 - AVPTC59D14BB
 M27 - AVPTC61D14BA
 M28 - AVPTC61D14BB

BLOWER ASSEMBLY

BLOWER ASSEMBLY

*If end bells are needed please order the following:
0131M00182 - 1/2 HP
0131M00183 - 3/4 HP
0131M00184 - 1 HP



BLOWER ASSEMBLY

Ref. Part No:	Description:	Ref. Part No:	Description:
Image 1:		Expanded Model Nomenclature	
21	0131M00272 MOTOR, 1 HP, SERIAL ECM (M23, M24, M25, M26, M27, M28)	M1	- AVPTC25B14BA
21	0131M00270 MOTOR, 1/2 HP, SERIAL ECM (M1, M2, M7, M8, M9, M10)	M2	- AVPTC25B14BB
21	0131M00271 MOTOR, 3/4 HP, SERIAL ECM (M3, M4, M5, M6, M11, M12, M13, M14, M15, M16, M17, M18, M19, M20, M21, M22)	M3	- AVPTC29B14BA
31	0121M00038 MOTOR MOUNT BAND (M1, M2, M3, M4, M5, M6, M7, M8, M9, M10, M11, M12, M13, M14, M17, M18, M19, M20)	M4	- AVPTC29B14BB
31	0121M00039 MOTOR MOUNT BAND (HEAVY DUTY) (M15, M16, M21, M22, M23, M24, M25, M26, M27, M28)	M5	- AVPTC31C14BA
41	B1376861 MOTOR MOUNT ARM (AVL.SPD. 1/2H (M1, M2, M3, M4, M9, M10, M11, M12)	M6	- AVPTC31C14BB
41	0163M00538 MOUNT ARM, MOTOR (M15, M16, M21, M22, M23, M24, M25, M26, M27, M28)	M7	- AVPTC33C14BA
41	B1376853 MOUNT ARM, MOTOR, A36-42 (M5, M6, M7, M8, M13, M14, M17, M18, M19, M20)	M8	- AVPTC33C14BB
51	B1392918 WASHER, FLAT 1/4 ID X 1 OD (QTY 3)	M9	- AVPTC35B14BA
61	M0250565 TC SCREW 1.25" (QTY 3)	M10	- AVPTC35B14BB
71	0163M00320 HEX HED ALL THREAD TAP BOLT	M11	- AVPTC37B14BA
81	B1393800 LOCKNUT, NYLON, INSERT 1/4,20	M12	- AVPTC37B14BB
101	0271A00016 BLOWER HOUSING ASSY 10 X 10 (M15, M16, M21, M22)	M13	- AVPTC37C14BA
101	0271A00029 BLOWER HOUSING ASSY 10 X 8 (M5, M6, M7, M8, M13, M14, M17, M18, M19, M20, M23, M24)	M14	- AVPTC37C14BB
101	0271A00206 BLOWER SHELL ASSY (M25, M26, M27, M28)	M15	- AVPTC37D14BA
101	0271A00299 BLOWER SHELL ASSY 9X6,MORRISON (M1, M2, M3, M4, M9, M10, M11, M12)	M16	- AVPTC37D14BB
121	764741 BLOWER BLOCK-OFF 10 X 10 (M15, M16, M21, M22)	M17	- AVPTC39C14BA
121	764740 BLOWER BLOCK-OFF 10 X 8 (M5, M6, M7, M8, M13, M14, M17, M18, M19, M20, M23, M24)	M18	- AVPTC39C14BB
131	B1368058 Blower Wheel (10 X 8) (M5, M6, M7, M8, M13, M14, M17, M18, M19, M20)	M19	- AVPTC49C14BA
131	0150M00058 WHEEL, BLOWER (M23, M24)	M20	- AVPTC49C14BB
131	0150M00059 WHEEL, BLOWER (M15, M16, M21, M22)	M21	- AVPTC49D14BA
191	0259M00008 WIRE HARNESS	M22	- AVPTC49D14BB
NS	SHARED DATA Available thru CoolCloud HVAC app	M23	- AVPTC59C14BA
NS	0163M00003P SCREW,#10 X 1/2,A,SLOT,SR,BLK	M24	- AVPTC59C14BB
		M25	- AVPTC59D14BA
		M26	- AVPTC59D14BB
		M27	- AVPTC61D14BA
		M28	- AVPTC61D14BB