

A QUICK REFERENCE OF MOST COMMONLY REPLACED PARTS



	MARK V MILLIVOLT DM, DR ITEM NO. (MFG NO.)	XE MILLIVOLT EG ITEM NO. (MFG NO.)	XE ELECTRONIC ES, EC ITEM NO. (MFG NO.)	SERIES I MILLIVOLT EPG ITEM NO. (MFG NO.)	SERIES I ELECTRONIC EPS, EPC, EPGII ITEM NO. (MFG NO.)
PILOT GEN. CARTRIDGE	6200-108 (W0012500)	6200-108 (W0012500)		6200-109B (W0036901)	
PILOT ASSY. NAT	6200-109 (R0027500)	6200-109 (R0027500)		6200-109 (R0027500)	
PILOT ASSY. LP	6200-109A (R0027600)	6200-109A (R0027600)		6200-109A (R0027600)	
GAS VALVE, NAT.	6200-132J (R0027700)	6200-132J (R0027700)		6200-132J (R0027700)	
GAS VALVE, NAT. 125 & 175			6200-132D (R0039200)		6200-132D (R0039200)
GAS VALVE, NAT. 250, 325, 400			6200-132E (R0038400)		6200-132E (R0038400)
GAS VALVE, LP	6200-132K (R0027800)	6200-132K (R0027800)		6200-132K (R0027800)	6200-132I (EPC) (R0029200)
HI-LIMIT SWITCH 135	6203-064A (E0072200)	6203-064A (E0072200)	6203-064A (E0072200)	6203-064A (E0072200)	6203-064A (E0072200)
HI-LIMIT SWITCH 150	6203-064 (E0063900)	6203-064 (E0063900)	6203-064 (E0063900)	6203-064 (E0063900)	6203-064 (E0063900)
PRESS. SWITCH 1-10 PSI	6203-022C (R0015500)	6203-022C (R0015500)	6203-022C (R0015500)	6203-022C (R0015500)	
PRESS SWITCH 2 PSI	6203-022A (R0013200)	6203-022A (R0013200)	6200-13 (10515322)	6203-022A (R0013200)	6200-13 (10515322)
ON/OFF SWITCH ASSY.	6203-082* (R0094100)	6203-082 (R0094100)	6203-082(EC) (R0094100)	6203-082 (R0094100)	6203-082(EPC) (R0094100)
FUSIBLE LINK		6200-173 (R0012200)	6200-173 (R0012200)	6200-173 (R0012200)	6200-173 (R0012200)
FRONT HEADER	OBSOLETE(DM) (R0056100) OBSOLETE(DR) (R0057200)	6200-211 (R0058400)	6200-211 (R0058400)	6200-211 (R0058400)	6200-211 (R0058400)
REAR HEADER	6200-212 (R0056700)	6200-213 (R0058300)	6200-213 (R0058300)	6200-213 (R0058300)	6200-213 (R0058300)
HEADER GASKET SET	6200-2161 (R0050800)	6200-2161 (R0050800)	6200-2161 (R0050800)	6200-2161 (R0050800)	6200-2161 (R0050800)
FLANGE & GASKET KIT 1½"	6200-222 (R0031900)	6200-222 (R0031900)	6200-222 (R0031900)	6200-222 (R0031900)	6200-222 (R0031900)
FLANGE & GASKET KIT 2"				6200-223A (R0055000)	6200-223A (R0055000)
GASKET 1½"	6201-18 (S0053100)	6201-18 (S0053100)	6201-18 (S0053100)	6201-18 (S0053100)	6201-18 (S0053100)
SLEEVE 1½"	OBSOLETE (S0028000)	OBSOLETE (S0028000)	OBSOLETE (S0028000)	OBSOLETE (S0028000)	OBSOLETE (S0028000)
GASKET 2"				6201-18B (S0078000)	6201-18B (S0078000)
SLEEVE 2"				6200-220A (S0078200)	6200-220A (S0078200)
THERMOSTAT* (ELECTRONIC)		6200-166 (R0058200)	6203-071B(ES) (R0011700) 6200-163(EC) (R0318800)	6200-166 (R0058200)	6203-071B(EPS) (R0011700) 6203-071B(EPC) (R0011700)
THERMOSTAT* (MECHANICAL)	6200-163 (R0318800)	6200-163 (R0318800)	ELECTRONIC ONLY (ES) 6200-163(EC) (R0318800)	6200-163 (R0318800)	ELECTRONIC ONLY (EPS) 6200-163(EPC) (R0318800)

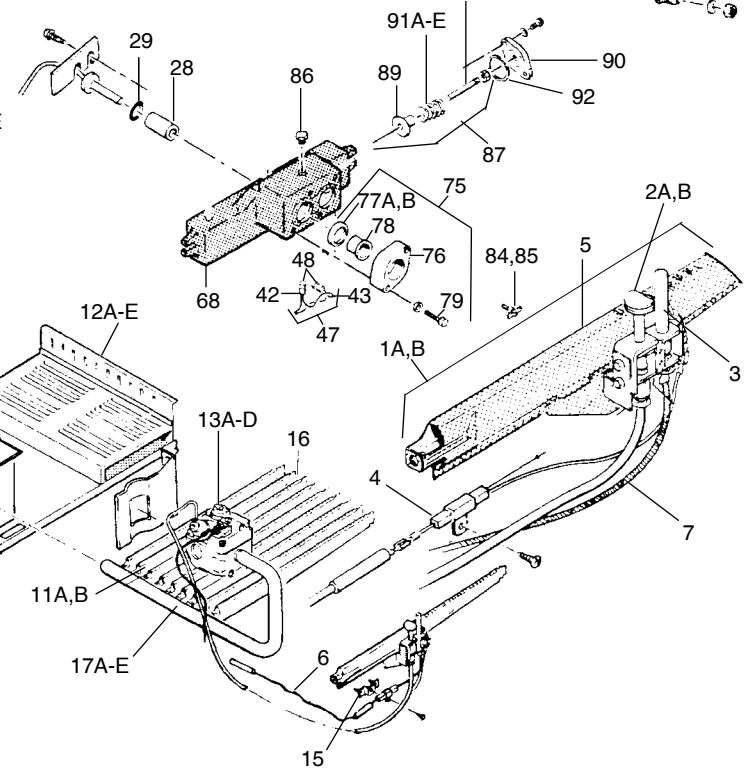
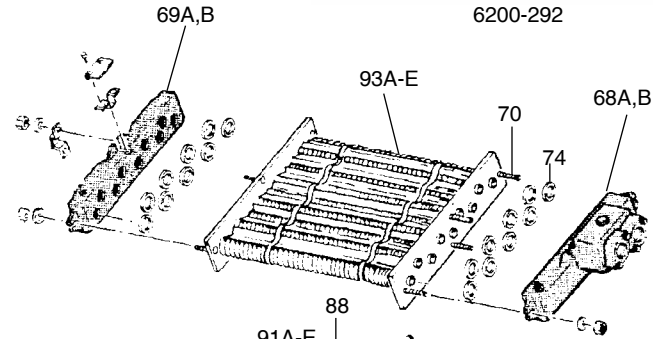
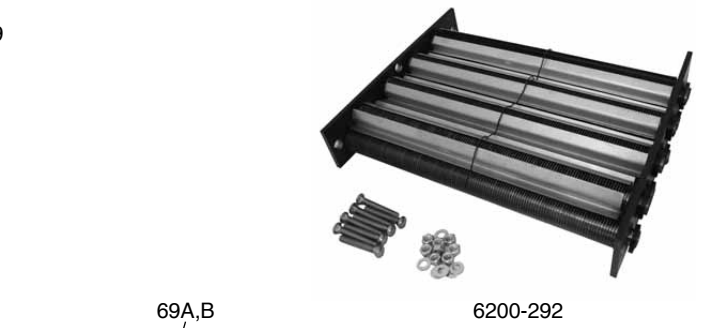
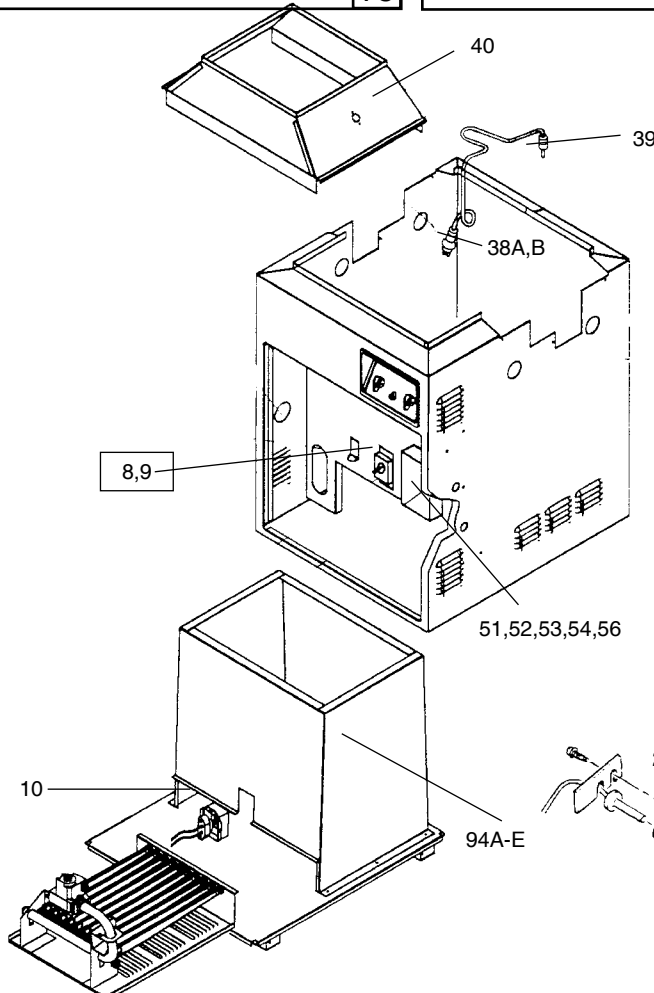
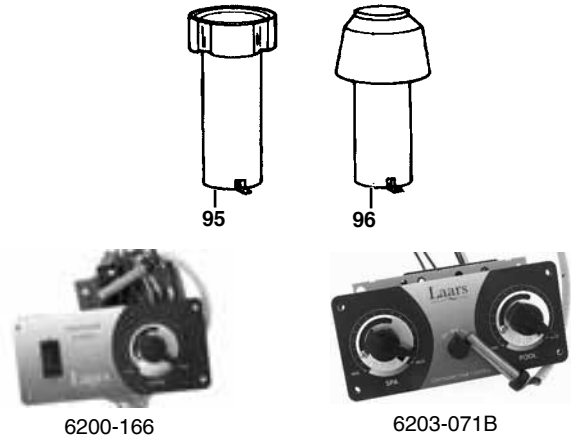
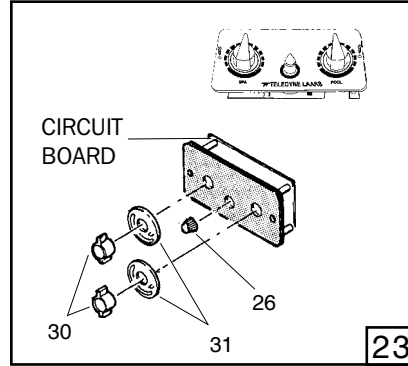
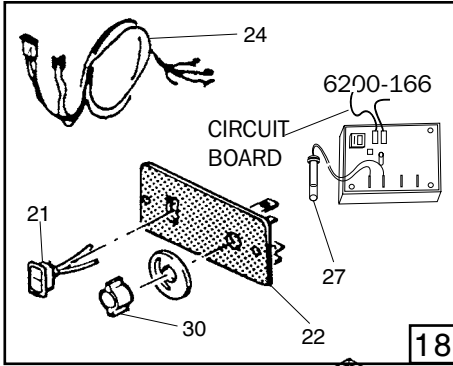
* LAARS R0058200 IS NOW AN ELECTRONIC THERMOSTAT. R0318800 IS THE STANDARD MECHANICAL THERMOSTAT.

A QUICK REFERENCE OF MOST COMMONLY REPLACED PARTS



	SERIES II MILLIVOLT ESG ITEM NO. (MFG NO.)	SERIES II ELECTRONIC ESC ITEM NO. (MFG NO.)	LITE LLG MILLIVOLT ITEM NO. (MFG NO.)	LITE LLD ELECTRONIC ITEM NO. (MFG NO.)
PILOT GEN. CARTRIDGE	6200-109B (W0036901)		6200-109B (W0036901)	
PILOT ASSY. NAT	6203-009 (R0099100)	6203-009B (R009600)	6203-009 (R0099100)	
PILOT ASSY. LP	6203-009A (R0099200)	6203-009C (R0096500)	6203-009A (R0099200)	
GAS VALVE, NAT.	6200-132B (R0096400)		6200-132B (R0096400)	6200-133A (V0076100)
GAS VALVE, NAT. 125 & 175		6200-132D (R0039200)		
GAS VALVE, NAT. 250, 325, 400		6200-132G (R0099400)		
GAS VALVE, LP	6200-132C (R0096900)	6200-132H (R0095900)	6200-132C (R0096900)	6200-133B (V0076700)
HI-LIMIT SWITCH 135	6203-064A (R0022700)	6203-064A (R0022700)	6203-064A (R0022700)	6203-064A (R0022700)
HI-LIMIT SWITCH 150	6203-064 (R0023000)	6203-064 (R0023000)	6203-064 (R0023000)	6203-064 (R0023000)
PRESS. SWITCH 1-10 PSI			6203-022C (R0015500)	6203-022C (R0015500)
PRESS SWITCH 2 PSI	6203-022A (R0097700)	6203-022A (R0013200)	6203-022A (R0013200)	6203-022A (R0013200)
ON/OFF SWITCH ASSY.	6203-078 (R0099800)	6203-078 (R0099800)	6203-078 (R0099800)	
FUSIBLE LINK	6200-173 (R0012200)	6200-173 (R0012200)	6200-173 (R0012200)	6200-173 (R0012200)
FRONT HEADER	6200-211C (R0056400)	6200-211C (R0056400)		
FRONT HEADER 2"	6200-211C (R0056400)	6200-211C (R0056400)	6200-211C (R0056400)	6200-211C (R0056400)
REAR HEADER	6200-213 (R0058300)	6200-213 (R0058300)	6200-213 (R0058300)	6200-213 (R0058300)
HEADER GASKET SET	6200-2161 (R0050800)	6200-2161 (R0050800)	6200-2161 (R0050800)	6200-2161 (R0050800)
FLANGE & GASKET KIT 1½"				
FLANGE & GASKET KIT 2"	6200-223A (R0055000)	6200-223A (R0055000)	6200-223A (R0055000)	6200-223A (R0055000)
GASKET 1½"				
SLEEVE 1½"				
GASKET 2"	6201-18B (S0078000)	6201-18B (S0078000)	6201-18B (S0078000)	6201-18B (S0078000)
SLEEVE 2"	6200-220A (S0078200)	6200-220A (S0078200)	6200-220A (S0078200)	6200-220A (S0078200)
THERMOSTAT* (ELECTRONIC)	6200-166* (R0058200)	6203-071B (R0011700)	6200-166* (R0058200)	6203-071B (R0011700)
THERMOSTAT* (MECHANICAL)	6200-163* (R0318800)	6200-163* (R0318800)	6200-163* (R0318800)	

* LAARS R0058200 IS NOW AN ELECTRONIC THERMOSTAT. R0318800 IS THE STANDARD MECHANICAL THERMOSTAT.



KEY	ITEM #	DESCRIPTION	MFG. #
-----	--------	-------------	--------

KEY	ITEM #	DESCRIPTION	MFG. #
-----	--------	-------------	--------

PILOT GAS SYSTEM

1A	6203-009A	PILOT, MAIN BURNER ASSY., LP	R0099200
1B	6203-009	PILOT, MAIN BURNER ASSY., NG	R0099100
2A	6203-010	PILOT BURNER, NG	R0096700
2B	6203-010D	PILOT BURNER, LP	R0096600
3	6200-109B	PILOT GENERATOR	W0036901
4	6203-014A	CERAMIC INSULATOR ASSY	R0011600
5	6203-006	MAIN BURNER W/PILOT BRACKET	10457500
6	6203-007	HIGH VOLTAGE LEAD ASSY	R0099000
7	6200-114A	PILOT TUBING	R0037000
8	OBSOLETE	OBSOLETE PIEZO LIGHTER ASSY	R0096800
9	OBSOLETE	OBSOLETE PIEZO LIGHTER KNOB	R0097000
10	6200-241	IGNITOR, LLD	R0317200

MAIN GAS SYSTEM

11A	6200-134	GAS ORIFICE, NG (0-2000 FT)	L0032200
11B	6200-136	GAS ORIFICE, LP (0-2000 FT)	L0032900
12A	6200-21E	BURNER SHELF ONLY, 125	R0317001
12B	6200-21A	BURNER SHELF ONLY, 175	R0317002
12C	6200-21B	BURNER SHELF ONLY, 250	R0317003
12D	6200-21C	BURNER SHELF ONLY, 325	R0317004
12E	6200-21D	BURNER SHELF ONLY, 400	R0317005
13A	6200-132B	GAS VALVE, NG, LLG (MV)	R0096400
13B	6200-132C	GAS VALVE, LP, LLG (MV)	R0096900
13C	6200-133A	GAS VALVE, NG, LLD (ELECT)	R0317100
13D	6200-133B	GAS VALVE, LP, LLD (ELECT)	R0319600
15	6203-004	MOUNTING BRACKET ASSY.	10419200
16	6200-141	MAIN BURNER	L0052300
17A	6203-005	BURNER MANIFOLD, 125	L0052200
17B	6203-005A	BURNER MANIFOLD, 175	L0006300
17C	6203-005B	BURNER MANIFOLD, 250	L0006400
17D	6203-005C	BURNER MANIFOLD, 325	L0006500
17E	6203-005D	BURNER MANIFOLD, 400	L0006600

ELECTRICAL SYSTEM

18	6200-166	TEMP CONTROL ASSY., LLG (MV) (INCLUDES WIRE HARNESS)	R0058200
21	6203-078	ON/OFF SWITCH	R0099800
22	OBSOLETE	OBSOLETE PLATE ASSY	10456300
23	6203-071B	TEMP CONTROL ASSY, LLD (ELECT)	R0011700
24	REPLACE	NLA WIRE HARNESS REP W/6200-450	10457800
24	6200-450	WIRE HARNESS	R0058100
26	6203-074	KNOB	R0099900
27	6203-061	TEMPERATURE SENSOR (LLD,LLG)	R0011800
28	6200-162	BULB PROTECTOR SLEEVE	10444900
29	6203-060	TEMP CONTROL O-RING	E0116400
30	6203-072	THERMOSTAT KNOB	R0010700
31	OBSOLETE	OBSOLETE TEMP-LOK STOP PLATE	10583100
32	6200-173	FUSIBLE LINK	R0012200
*	6203-120	FLAME SENSOR (LITE 2 ONLY)	R0334300

WATER SYSTEM

38A	6203-022A	PRESSURE SWITCH, 2 P.S.I.	R0013200
38B	6203-022C	PRESSURE SWITCH, 1-10 P.S.I.	R0015500
39	6200-171	SYPHON LOOP ASSY.	R0057800
40	6203-10	REDUDANT HI-LIMIT ASSY	R0313900
42	6203-064A	HI-LIMIT, 135 DEG	R0022700
43	6203-064	HI-LIMIT, 150 DEG (RED-DOT ON THIS SWITCH)	R0023000
47	6203-063	COMPLETE HI-LIMIT ASSY (BOTH HI-LIMITS, RUBBER BOOTS, WIRE HARNESS)	10419300

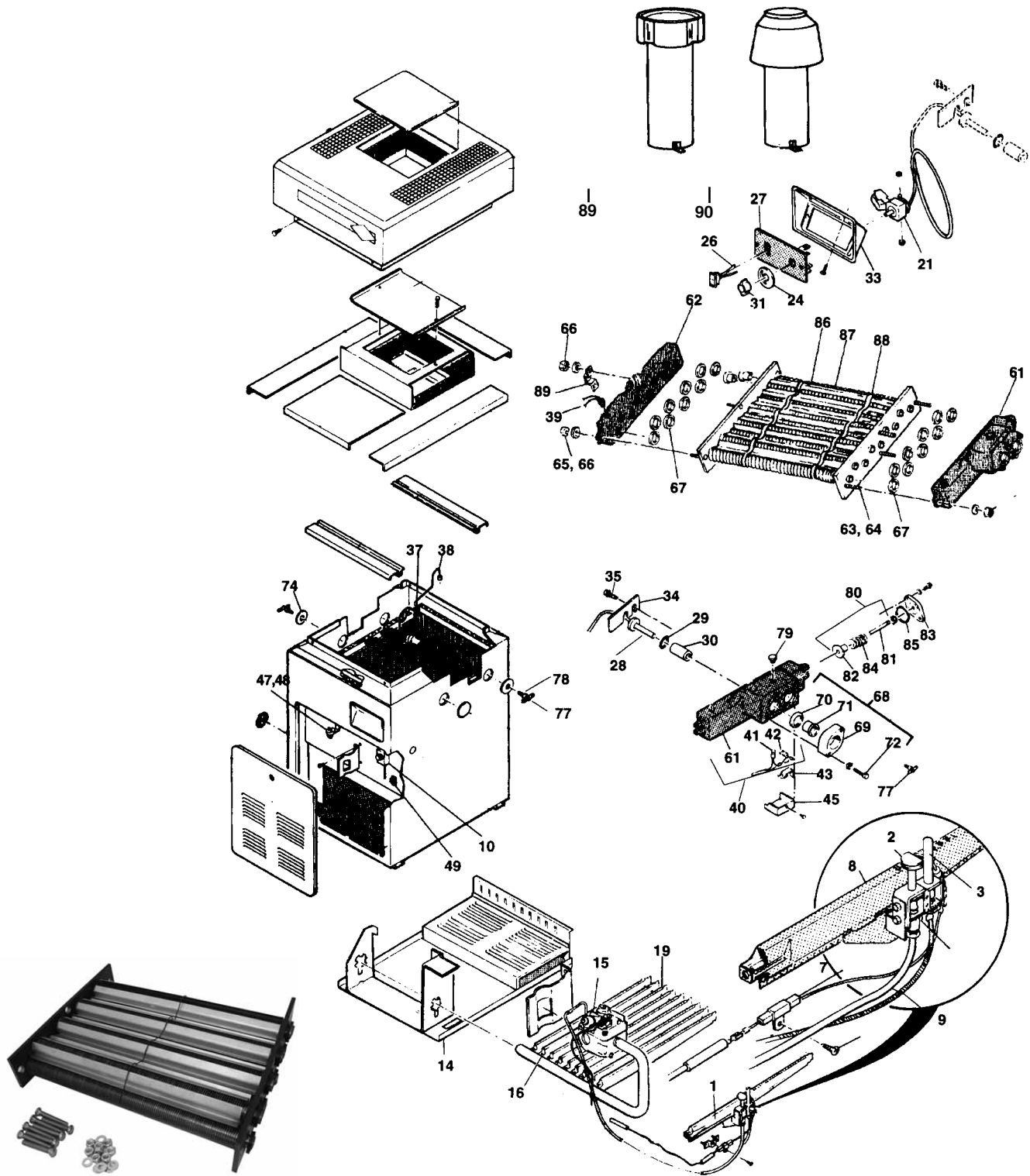
48	6203-150	HI-LIMIT SET (1 135 DEG & 1 150 DEG)	R0023200
51	6202-10	IGNITION CONTROL ASSY. INCLUDES IGNITION CONTROL, WIRE HARNESS, TRANSFORMER, CONTROL PANEL, IN-LINE FUSE	R0317500
52	REPLACE	NLA IGNITION CONTROL REP W/6200-03	R0325200
52	6200-03	IGNITION CONTROL REPLACEMENT	R0408100
53	6203-026	WIRE HARNESS	R0059800
54	6203-027	TRANSFORMER	R0061100
56	6203-031	IN-LINE FUSE ASSY	10480000
68A	6200-211C	INLET/OUTLET HEADER, CAST IRON	R0056400
68B	6203-043A	INLET/OUTLET HEADER, BRONZE	R0016800
69A*	6200-213	RETURN HEADER, CAST IRON	R0058300
69B*	6203-044	RETURN HEADER, BRONZE	R0054600
70	OBSOLETE	OBSOLETE HEADER BOLT ASSY	R0057000
74	6200-2161	HEADER GASKET (SET OF 18)	R0050800
75	6200-223A	FLANGE ASSY (SET OF 2)	R0055000
76	6200-223	FLANGE ONLY, 2"	10573500
77A	6201-18B	FLANGE GASKET ONLY, 2"	S0078000
77B	6201-18A	FLANGE GASKET ONLY, 2 TO 1-1/2"	S0078100
78	6200-220A	FLANGE SLEEVE, 2"	S0078200
79	5110-15	FLANGE BOLT ONLY	F0031700
84	6203-066	DRAIN PLUG, 1/4" NPT	P0026800
85	6200-211A	BUSHING, 1/2" NPT X 1/4" NPT	P0018500
86	6203-069	BRASS PLUG, 3/4" NPT	P0027000
87	6200-101	BY-PASS ASSY	R0054900
88	6200-228	BY-PASS VALVE ROD	S0073400
89	6200-259	BY-PASS VALVE DISC	R0011500
90	REPLACE	NLA CAP REP W/6200-101	10452200
91A	6203-053	VALVE SPRING, PURPLE, 125	S0079900
91B	6200-234	VALVE SPRING, WHITE, 175	S0061400
91C	6200-242	VALVE SPRING, RED, 250	S0061300
91D	6200-246	VALVE SPRING, BLUE, 325	S0061200
91E	6200-257	VALVE SPRING, BLACK, 400	S0070100
92	6200-326	BY-PASS VALVE GASKET	R0011400
93A	6200-291	TUBE BUNDLE, 125, 10" LONG	R0018101
93B	6200-292	TUBE BUNDLE, 175, 12 7/8" LONG	R0018102
93C	6200-293	TUBE BUNDLE, 250, 17 5/8" LONG	R0018103
93D	6200-294	TUBE BUNDLE, 325, 22" LONG	R0018104
93E	6200-295	TUBE BUNDLE, 400, 26 3/4" LONG	R0018105

COMBUSTION CHAMBER

94A	6200-600	CHAMBER, 125	R0316701
94B	6200-601	CHAMBER, 175	R0316702
94C	6200-602	CHAMBER, 250	R0316703
94D	6200-603	CHAMBER, 325	R0316704
94E	6200-604	CHAMBER, 400	R0316705

VENT SYSTEM

95	6200-387	VENT CAP, 125	10561501
95	6200-388	VENT CAP, 175	10561502
95	6200-389	VENT CAP, 250	10561503
95	6200-390	VENT CAP, 325	10561504
95	6200-391	VENT CAP, 400	10561505
96	6200-368	DRAFT HOOD, 125	10561401
96	6200-370	DRAFT HOOD, 175	10561402
96	6200-372	DRAFT HOOD, 250	10561403
96	6200-374	DRAFT HOOD, 325	10561404
96	6200-376	DRAFT HOOD, 400	10561405



6290-292 SHOWN
KEY 86

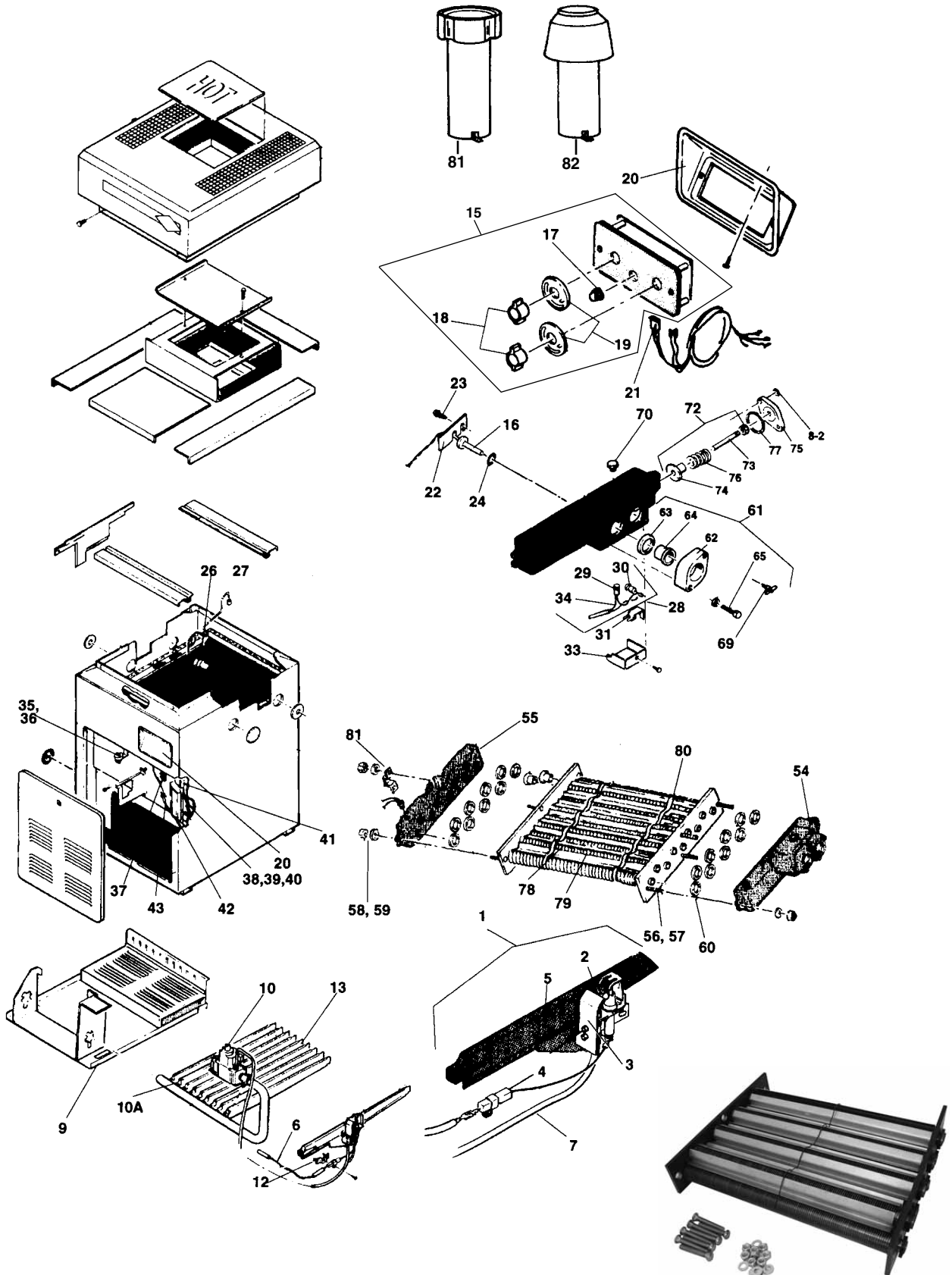
KEY	ITEM #	DESCRIPTION	MFG. #
GAS SYSTEM			
1	6203-009	PILOT, MAIN BURNER NG	R0099100
1	6203-009A	PILOT, MAIN BURNER LP	R0099200
2	6203-010	PILOT BURNER, NG	R0096700
2	6203-010D	PILOT BURNER, LP	R0096600
3	6200-109B	PILOT GENERATOR	W0036901
7	6203-014	CERAMIC INSULATOR	R0099300
8	6203-006	MAIN BURNER W/PILOT BRACKET	10457500
9	6200-114A	PILOT TUBING	R0037000
10	OBSOLETE	OBSOLETE PIEZO LIGHTER	R0096800
14	6200-21E	BURNER TRAY SHELF ONLY, 125	R0317001
14	6200-21A	BURNER TRAY SHELF ONLY, 175	R0317002
14	6200-21B	BURNER TRAY SHELF ONLY, 250	R0317003
14	6200-21C	BURNER TRAY SHELF ONLY, 325	R0317004
14	6200-21D	BURNER TRAY SHELF ONLY, 400	R0317005
15	6200-132B	GAS VALVE, NG	R0096400
15	6200-132C	GAS VALVE, LP	R0096900
16	6200-134	GAS ORIFICE, NG	L0032200
16	6200-136	GAS ORIFICE, LP	L0032900
19	6200-141	MAIN BURNER	L0052300
ELECTRICAL SYSTEM			
21	6200-166	TEMPERATURE CONTROL	R0058200
22	6203-033A	WIRE HARNESS	R0058000
24	6200-12	TEMP LOCK PLATE	10456700
26	6203-082	ON OFF SWITCH	R0094100
27	6200-165	TEMP CONTROL LABEL	H0105300
28	6203-061	TEMP SENSOR	R0011800
29	6203-060	TEMP CONTROL BULB O-RING	E0116400
30	6200-162	BULB SLEEVE	10444900
31	6203-072	THERMOSTAT KNOB	R0010700
33	6203-076	BEZEL	S0069800
34	6200-34	BRACKET	10447300
35	6203-062	BRACKET SCREW	F0091000
37	6203-022A	PRESSURE SWITCH, 2 PSI	R0013200
37	6203-022C	PRESSURE SWITCH, 1-10 PSI	R0015500
38	6200-171	SYPHON LOOP	R0057800
39	OBSOLETE	OBSOLETE REDUNDANT HI LIMIT	R0012800
40	6203-063	COMPLETE HI LIMIT ASSY (BOTH HI-LIMITS, RUBBER BOOTS, WIRE HARNESS)	R0023600
41	6203-064A	HIGH LIMIT, 135 DEGREE	R0022700
42	6203-064	HIGH LIMIT, 150 DEGREE	R0023000
43	6200-155	RETAINER CLIP	10728500
44	OBSOLETE	OBSOLETE RETAINER BOOT	S0098900
45	OBSOLETE	OBSOLETE SWITCH COVER	10418300
47	6200-173	FUSIBLE LINK	R0012200
48	6203-021	FUSIBLE LINK BRACKET	10479900
49	6203-023	TERMINAL BLOCK	R0097800
WATER SYSTEM			
61	6200-211C	INLET/OUTLET, 2", CAST IRON	R0056400
61	6203-043A	INLET/OUTLET, 2", BRONZE	R0016800
62	6200-213	RETURN HEADER	R0058300
62	6203-044	RETURN HEADER, BRONZE	R0054600

KEY	ITEM #	DESCRIPTION	MFG. #
63	OBSOLETE	OBSOLETE HEADER BOLT SET	R0057000
64	6200-213B	HEADER BOLT, 2-1/2"	F0046100
65	6200-260	WASHER	F0011100
66	6200-262	NUT	F0003100
67	6200-2161	HEADER GASKET (SET OF 18)	R0050800
68	6200-223A	FLANGE & GASKET ASSY	R0055000
69	6200-223	FLANGE, 2"	10573500
70	6201-18B	FLANGE GASKET, 2"	S0078000
71	6200-220A	FLANGE SLEEVE, 2"	S0078200
72	5110-15	FLANGE BOLT	F0031700
73	6201-18A	FLANGE GASKET 2 X 1-1/2"	S0078100
77	6203-066	DRAIN PLUG	P0026800
79	6203-069	BRASS PLUG, 3/4"	P0027000
80	6200-101	BY PASS ASSY	R0054900
81	6200-228	BY PASS ROD	S0074300
82	6200-259	BY PASS DISC	R0011500
83	REPLACE	NLA BY PASS CAP REP W/6200-101	S0069100
84	6203-053	SPRING PURPLE, 125	S0079900
84	6200-234	SPRING WHITE, 175	S0061400
84	6200-242	SPRING RED, 250	S0061300
84	6200-246	SPRING BLUE, 325	S0061200
84	6200-257	SPRING BLACK, 400	S0070100
85	6203-326	BY PASS GASKET	R0011400
86	6200-291	TUBE BUNDLE, 125, 10" LONG	R0018101
86	6200-292	TUBE BUNDLE, 175, 12 7/8" LONG	R0018102
86	6200-293	TUBE BUNDLE, 250, 17 5/8" LONG	R0018103
86	6200-294	TUBE BUNDLE, 325, 22" LONG	R0018104
86	6200-295	TUBE BUNDLE, 400, 26 3/4" LONG	R0018105
87	OBSOLETE	OBSOLETE EXCHANGER BAFFLE	10697401
87	6203-056A	EXCHANGER BAFFLE, SINGLE, 175	10697402
87	6203-056B	EXCHANGER BAFFLE, SINGLE, 250	10697403
87	6203-056C	EXCHANGER BAFFLE, SINGLE, 325	10697404
87	6203-056D	EXCHANGER BAFFLE, SINGLE, 400	10697405
88	6203-057	BAFFLE RETAINER	S0083900
89	6200-387	VENT CAP, 125	10561501
89	6200-388	VENT CAP, 175	10561502
89	6200-389	VENT CAP, 250	10561503
89	6200-390	VENT CAP, 325	10561504
89	6200-391	VENT CAP, 400	10561505
90	6200-368	DRAFT HOOD, 125	10561401
90	6200-370	DRAFT HOOD, 175	10561402
90	6200-372	DRAFT HOOD, 250	10561403
90	6200-374	DRAFT HOOD, 325	10561404
90	6200-376	DRAFT HOOD, 400	10561405
*	6203-150	HI-LIMIT SET (INCLUDES KEYS 41 & 42 1 135 DEG & 1 150 DEG)	R0023200

* NOT SHOWN



6200-166
KEY 21



KEY	ITEM #	DESCRIPTION	MFG. #
GAS SYSTEM			
1	6203-009B	PILOT, MAIN BURNER NG	R0096000
1	6203-009C	PILOT, MAIN BURNER LP	R0096500
2	6203-010B	PILOT BURNER, NG	R0061600
2	6203-010E	PILOT BURNER, LP	R0095800
3	6203-0111	PILOT BRACKET SHIELD	W0041100
4	6203-014A	CERAMIC INSULATOR	R0011600
5	6203-006	BURNER W/PILOT BRACKET	10457500
6	6203-007	HIGH VOLTAGE LEAD	R0099000
7	6200-114A	PILOT TUBING	R0037000
9	6200-21E	BURNER TRAY SHELF ONLY, 125	R0317001
9	6200-21A	BURNER TRAY SHELF ONLY, 175	R0317002
9	6200-21B	BURNER TRAY SHELF ONLY, 250	R0317003
9	6200-21C	BURNER TRAY SHELF ONLY, 325	R0317004
9	6200-21D	BURNER TRAY SHELF ONLY, 400	R0317005
10	6200-132D	GAS VALVE, NG, 125-175	R0039200
10	6200-132G	GAS VALVE, NG, 250-400	R0099400
10	6200-132H	GAS VALVE, LP	R0095900
10A	6200-134	GAS ORIFICE, NG	L0032200
10A	6200-136	GAS ORIFICE, LP	L0032900
13	6200-141	MAIN BURNER	L0052300
ELECTRICAL SYSTEM			
15	6203-071B	TEMPERATURE CONTROL	R0011700
16	6203-061	TEMP SENSOR	R0011800
17	6203-074	SINGLE BAR KNOB	R0099900
18	6203-072	THERMOSTAT KNOB	R0010700
19	OBSOLETE	OBSOLETE TEMP LOCK STOP PLATE	10583100
20	6203-076	BEZEL	S0069800
21	REPLACE	NLA WIRE HARNESS REP W/6200-450	10457800
21	6200-450	WIRE HARNESS (EPC)	R0058100
22	6200-34	RETAINER BRACKET	10447300
23	6203-062	BRACKET SCREW	F0009100
24	6203-060	TEMP CONTROL BULB O-RING	E0116400
26	6203-022A	PRESSURE SWITCH, 2 PSI	R0013200
26	6203-022C	PRESSURE SWITCH, 1-10 PSI	R0015500
27	6200-171	SYPHON LOOP	R0057800
28	6203-150	COMPLETE HI LIMIT ASSY (BOTH HI-LIMITS, RUBBER BOOTS, WIRE HARNESS)	R0023200
29	6203-064A	HIGH LIMIT, 135 DEGREE	R0022700
30	6203-064	HIGH LIMIT, 150 DEGREE	R0023000
31	6200-155	RETAINER CLIP	10728500
32	OBSOLETE	OBSOLETE RETAINER BOOT	S0098900
33	OBSOLETE	OBSOLETE SWITCH COVER	10418300
34	6203-063	COMPLETE HI LIMIT ASSY	10419300
35	6200-173	FUSIBLE LINK	R0012200
36	6203-021	FUSIBLE LINK BRACKET	10479900
37	6203-023	TERMINAL BLOCK	R0097800
38	6203-025	IGNITION CONTROL ASSY, NG	10457900
38	6203-025A	IGNITION CONTROL ASSY, LP	R0097900

KEY	ITEM #	DESCRIPTION	MFG. #
39	6200-37A	IGNITION CONTROL, NG	R0011900
39	6203-034	IGNITION CONTROL, LP	R0097100
40	6203-026	HARNESS	R0059800
41	6203-027	TRANSFORMER	R0061100
42	6203-028	IGNITION CONTROL PANEL	10451200
43	6203-031	IN LINE FUSE	10480000
WATER SYSTEM			
54	6200-211C	INLET/OUTLET, 2", CAST IRON	R0056400
54	6203-043A	INLET/OUTLET, 2", BRONZE	R0016800
55	6200-213	RETURN HEADER	R0058300
55	6203-044	RETURN HEADER, BRONZE	R0054600
56	OBSOLETE	OBSOLETE HEADER BOLT SET	R0057000
57	6200-213B	HEADER BOLT, 2-1/2"	F0046100
58	6200-260	WASHER	F0011100
59	6200-262	NUT	F0003100
60	6200-2161	HEADER GASKET (SET OF 18)	R0050800
61	6200-223A	FLANGE & GASKET ASSY	R0055000
62	6200-223	FLANGE, 2"	10573500
63	6201-18B	FLANGE GASKET, 2"	S0078000
64	6200-220A	FLANGE SLEEVE, 2"	S0078200
65	5110-15	FLANGE BOLT	F0031700
66	6201-18A	FLANGE GASKET 2 X 1-1/2"	S0078100
69	6203-066	DRAIN PLUG	P0026800
70	6203-069	BRASS PLUG, 3/4"	P0027000
72	6200-101	BY PASS ASSY	R0054900
73	6200-228	BY PASS ROD	S0074300
74	6200-259	BY PASS DISC	R0011500
75	REPLACE	NLA BY PASS CAP REP W/6200-101	S0069100
76	6203-053	SPRING PURPLE, 125	S0079900
76	6200-234	SPRING WHITE, 175	S0061400
76	6200-242	SPRING RED, 250	S0061300
76	6200-246	SPRING BLUE, 325	S0061200
76	6200-257	SPRING BLACK, 400	S0070100
77	6200-326	BY PASS GASKET	R0011400
78	6200-291	TUBE BUNDLE, 125, 10" LONG	R0018101
78	6200-292	TUBE BUNDLE, 175, 12 7/8" LONG	R0018102
78	6200-293	TUBE BUNDLE, 250, 17 5/8" LONG	R0018103
78	6200-294	TUBE BUNDLE, 325, 22" LONG	R0018104
78	6200-295	TUBE BUNDLE, 400, 26 3/4" LONG	R0018105
79	OBSOLETE	OBSOLETE EXCHANGER BAFFLE	10697401
79	6203-056A	EXCHANGER BAFFLE, SINGLE, 175	10697402
79	6203-056B	EXCHANGER BAFFLE, SINGLE, 250	10697403
79	6203-056C	EXCHANGER BAFFLE, SINGLE, 325	10697404
79	6203-056D	EXCHANGER BAFFLE, SINGLE, 400	10697405
80	6203-057	BAFFLE RETAINER	S0083900
81	6200-387	VENT CAP, 125	10561501
81	6200-388	VENT CAP, 175	10561502
81	6200-389	VENT CAP, 250	10561503
81	6200-390	VENT CAP, 325	10561504
81	6200-391	VENT CAP, 400	10561505
82	6200-368	DRAFT HOOD, 125	10561401
82	6200-370	DRAFT HOOD, 175	10561402
82	6200-372	DRAFT HOOD, 250	10561403
82	6200-374	DRAFT HOOD, 325	10561404
82	6200-376	DRAFT HOOD, 400	10561405
*	6203-150	HI-LIMIT SET (INCLUDES KEYS 29 & 30 1 135 DEG & 1 150 DEG)	R0023200

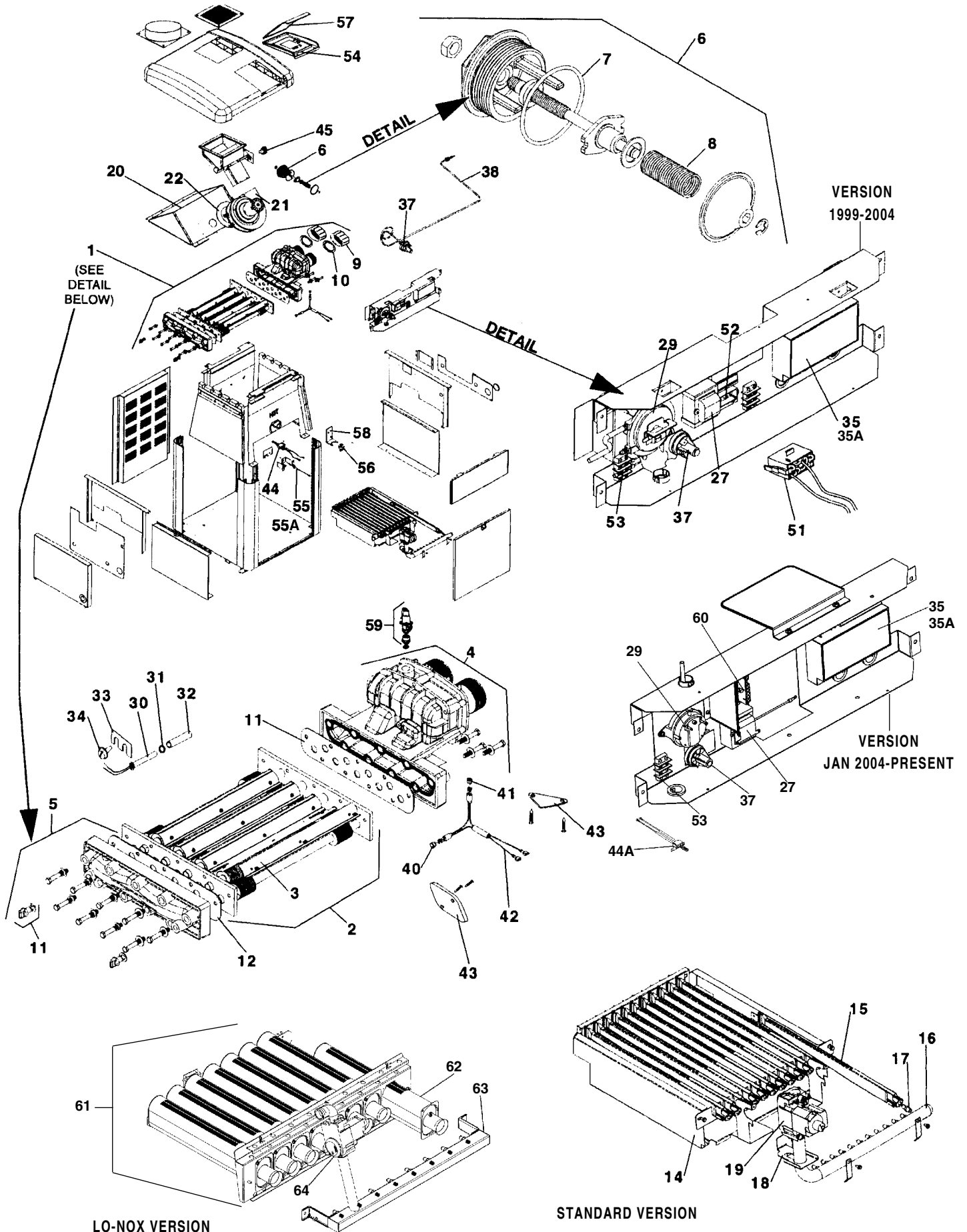


6203-071B
KEY 15



6203-022A
KEY 26

* NOT SHOWN



KEY	ITEM #	DESCRIPTION	MFG. #	KEY	ITEM #	DESCRIPTION	MFG. #
1	6205-001	COMPLETE HEAT EXCHANGER (COPPER) 250	R0326303	55A	6205-063	FLAME SENSE ROD, LO NOX	R0387000
1	6205-002	COMPLETE HEAT EXCHANGER (COPPER) 400	R0326305	56	6200-173	FUSIBLE LINK	R0012200
2	6205-003	TUBE ASSY, (CU) W/HARDWARE & GASKETS 250	R0326603	57	6205-064	TEMPERATURE CONTROL COVER	R0330600
2	6205-004	TUBE ASSY, (CU) W/HARDWARE & GASKETS 400	R0326605	58	OBSOLETE	OBSOLETE FUSIBLE LINK BRACKET	R0337200
3	6205-005	BAFFLES, HEAT EXCHANGER (SET OF 10) 250	R0334403	59	6205-077	PRESSURE RELIEF VALVE	R0336100
3	6205-006	BAFFLES, HEAT EXCHANGER (SET OF 10) 400	R0334405	60	6205-066	POWER DISTRIBUTION CIRCUIT BOARD	R0397500
4	6205-007	FRONT HEADER, W/HARDWARE & GASKETS	R0326900	61	6205-080	BURNER TRAY, LO NOX, LOW ALT, 250, NG	R0386203
5	6205-008	REAR HEADER, W/HARDWARE & GASKETS	R0327000	61	6205-081	BURNER TRAY, LO NOX, LOW ALT, 400, NG	R0386205
6	6205-009	BY-PASS ASSY, W/HARDWARE & GASKETS	R0327100	61	6205-082	BURNER TRAY, LO NOX, MID ALT, 250, NG	R0394703
7	6205-010	GASKET, BYPASS ASSEMBLY	R0336700	61	6205-083	BURNER TRAY, LO NOX, MID ALT, 400, NG	R0394705
8	6205-011	SPRING, BYPASS	R0327200	61	6205-084	BURNER TRAY, LO NOX, HIGH ALT, 250, NG	R0394803
9	6205-012	COMPLETE COUPLING KIT, SET OF 2	R0327300	61	6205-085	BURNER TRAY, LO NOX, HIGH ALT, 400, NG	R0394805
10	6205-056	COUPLING O-RING SET	R0337600	61	6205-086	BURNER TRAY, LO NOX, LOW ALT, 250, LP	R0394503
11	6205-015	HEADER DRAIN PLUG W/GASKET (SET OF 3)	R0335900	61	6205-087	BURNER TRAY, LO NOX, LOW ALT, 400, LP	R0394505
12	6205-014	HEADER GASKET, SINGLE	R0327500	61	6205-088	BURNER TRAY, LO NOX, HIGH ALT, 250, LP	R0394603
*	6205-016	HARDWARE KIT & GASKETS, HEAT EXCHANGER	R0327600	61	6205-089	BURNER TRAY, LO NOX, HIGH ALT, 400, LP	R0394605
14	6205-017	BURNER, TRAY WELDMENT 250, STANDARD	R0327703	62	6205-090	BURNER WITHOUT ORIFICE	R0386400
14	6205-018	BURNER, TRAY WELDMENT 400, STANDARD	R0327705	63	6205-091	MANIFOLD, LO NOX, LOW ALT, 250, NG	R0395003
15	6200-141	BURNER, MAIN, STANDARD	L0052300	63	6205-092	MANIFOLD, LO NOX, LOW ALT, 400, NG	R0395005
16	6205-019	MANIFOLD, GAS (250)	R0327803	63	6205-093	MANIFOLD, LO NOX, MID ALT, 250, NG	R0394303
16	6205-020	MANIFOLD, GAS (400)	R0327805	63	6205-094	MANIFOLD, LO NOX, MID ALT, 400, NG	R0394305
17	6205-021	NAT. ORIFICE (0-3K FT) (SET OF 20)	R0327900	63	6205-095	MANIFOLD, LO NOX, HIGH ALT, 250, NG	R0394403
17	OBSOLETE	OBSOLETE NAT. ORIFICE (3K-6K FT) (SET OF 20)	R0328000	63	6205-096	MANIFOLD, LO NOX, HIGH ALT, 400, NG	R0394405
17	6205-023	NAT. ORIFICE (6K-9K FT) (SET OF 20)	R0328100	63	6205-097	MANIFOLD, LO NOX, LOW ALT, 250, LP	R0394103
17	6205-024	LP ORIFICE (0-5K FT) (SET OF 20)	R0328200	63	6205-098	MANIFOLD, LO NOX, LOW ALT, 400, LP	R0394105
17	6205-025	LP ORIFICE (5K-10K FT) (SET OF 20)	R0328300	63	6205-099	MANIFOLD, LO NOX, HIGH ALT, 250, LP	R0394203
18	6205-026	ANTI-ROTATION BRACKET	R0331800	63	6205-100	MANIFOLD, LO NOX, HIGH ALT, 400, LP	R0394205
19	6205-027	GAS VALVE, NATURAL W/STREET ELL	R0336800	64	6205-068	GAS VALVE, NG W/STREET ELL, LO NOX	R0386600
19	6205-028	GAS VALVE, LP W/STREET ELL	R0336900	64	6205-028	GAS VALVE, LP W/STREET ELL, LO NOX	R0336900
20	6205-029	FLUE COLLECTOR (250), STANDARD	R0331703	*	6205-045	WIRE HARNESS COMPLETE	R0329500
20	6205-030	FLUE COLLECTOR (400), STANDARD	R0331705			PRIOR TO JAN, 2004	.
20	OBSOLETE	OBSOLETE FLUE COLLECTOR (250), LO NOX	R0386703	*	6205-067	WIRE HARNESS COMPLETE	R0397600
20	OBSOLETE	OBSOLETE FLUE COLLECTOR (400), LO NOX	R0386705			JAN 2004 TO CURRENT	
21	6205-031	BLOWER ASSEMBLY	R0329800	*	6205-046	WIRE HARNESS POWER TRANSFORMER	R0330900
22	6205-032	GASKET W/BLOWER MOUNTING HARDWARE	R0329900	*	6205-047	WIRE HARNESS, IGNITION CONTROL	R0331000
27	6203-027	TRANSFORMER, 115-220V/24V-ALL ELECTRIC	R0061100	*	6205-048	WIRE HARNESS, GAS VALVE	R0331100
28	6205-046	WIRE HARNESS, POWER TRANSFORMER	R0330900	*	6205-049	WIRE HARNESS, SAFETY LOOP	R0331200
29	6205-059	BLOWER PRESSURE SWITCH	R0302000				
30	6203-061	THERMISTER, TEMPERATURE SENSOR	R0011800				
31	6203-060	TEMP SENSOR GASKET	E0116400				
32	6200-162	SLEEVE, PROTECTOR FOR BULB	10444900				
33	6200-34	RETAINER, TEMPERATURE SENSOR	10447300				
34	6203-062	SCREW, RETAINER BRACKET	F0009100				
35	REPLACE	NLA IGNITION CONTROL REP W/ 6200-03	R0328800				
35	6200-03	IGNITION CONTROL REPLACEMENT - STANDARD	R0408100				
35A	6205-060	IGNITION CONTROL - LO NOX	R0386800				
37	6203-022A	PRESSURE SWITCH, ESG (2 PSI) (OEM)	R0013200				
38	6205-041	SIPHON LOOP	R0334600				
40	6203-064A	HI-LIMIT SWITCH 135 F	R0022700				
41	6203-064	HI-LIMIT SWITCH 150 F	R0023000				
42	6205-061	HI LIMIT WIRE HARNESS	R0334700				
43	6205-042	RETAINER PLATES, HIGH LIMIT (SET OF 2)	R0336500				
44	6205-043	HOT SURFACE IGNITOR - STANDARD	R0337000				
44A	6205-062	HOT SURFACE IGNITOR - LO NOX	R0386900				
45	6205-044	EXHAUST TEMP. LIMIT SWITCH	R0329400				
51	6205-050	WIRE HARNESS, 120V POWER PLUG	R0336200				
51	6205-051	WIRE HARNESS, 240V POWER PLUG	R0336300				
52	6205-052	WIRE HARNESS, 15 PIN CONNECTOR	R0336400				
53	6203-023	TERMINAL BLOCK	R0097800				
54	6205-053	TEMPERATURE CONTROL W/BEZEL	R0329600				
		DIGITAL TYPE CONTROL					
54	6205-054	TEMPERATURE CONTROL W/BEZEL, DUAL	R0350500				
		THERMOSTAT KNOBS ON CONTROL					
55	6205-055	FLAME SENSE ROD, STANDARD	R0334800				

* NOT SHOWN



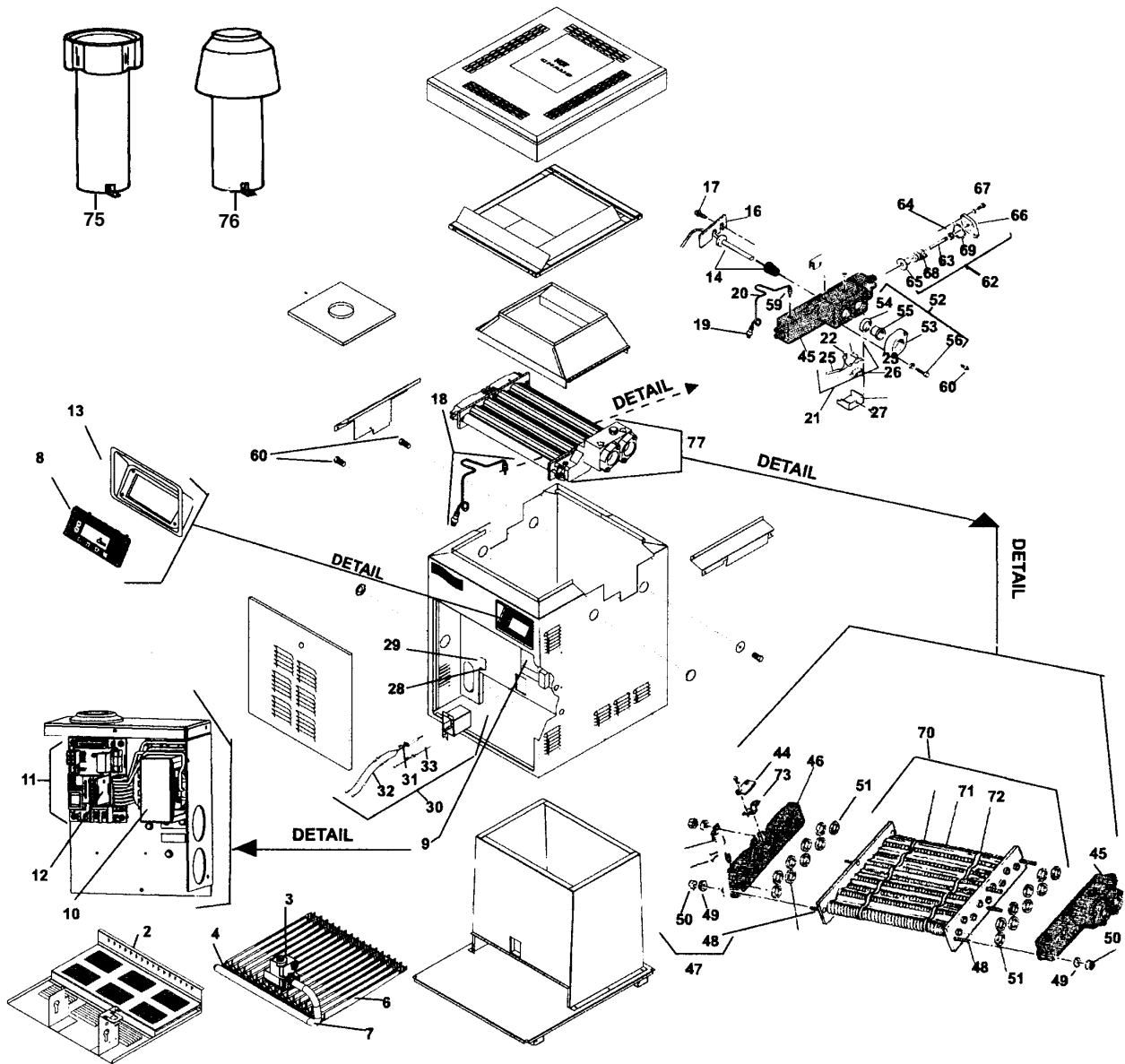
6205-053 KEY54



6205-054 KEY 54



6205-003 SHOWN
KEY 2



6203-041
KEY 77
125 SHOWN

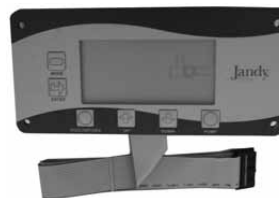


6200-293
KEY 70
250 SHOWN

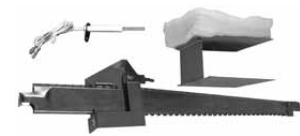
KEY	ITEM #	DESCRIPTION	MFG. #
2	6200-21E	BURNER TRAY WELDMENT, 125	R0317001
2	6200-21A	BURNER TRAY WELDMENT, 175	R0317002
2	6200-21B	BURNER TRAY WELDMENT, 250	R0317003
2	6200-21C	BURNER TRAY WELDMONT, 325	R0317004
2	6200-21D	BURNER TRAY WELDMENT, 400	R0317005
3	6200-133A	GAS VALVE LLJ, NG ELECTRONIC	R0317100
3	6200-133B	GAS VALVE LLJ, LP ELECTRONIC	R0319600
4	6200-134	GAS ORIFICE, NATURAL GAS	L0032200
4	6200-136	GAS ORIFICE, PROPANE	L0032900
6	6200-141	BURNER, MAIN	L0052300
7	6203-005	MANIFOLD, GAS (125)	L0052200
7	6203-005A	MANIFOLD, GAS (175)	L0006300
7	6203-005B	MANIFOLD, GAS (250)	L0006400
7	6203-005C	MANIFOLD, GAS (325)	L0006500
7	6203-005D	MANIFOLD, GAS (400)	L0006600
8	6203-079	HEATER CONTROL ASSEMBLY	R0366200
9	6203-401	HIGH VOLTAGE ASSEMBLY	R0366500
10	6203-101	TRANSFORMER W/ WIRING HARNESS	R0366700
11	6203-400	POWER CENTER BOARD	R0366800
12	6203-102	CONVERSION PLUG 115/230 VAC	R0366900
13	6203-076	CASTING, TEMP. CONTROL BEZEL	S0069800
14	6203-103	TEMPERATURE SENSOR WITH GASKET & SCREW	R0367000
16	6200-34	TEMP SENSOR RETAINER BRACKET	10447300
17	6203-062	SCREW, RETAINER BRACKET	F0009100
19	6203-022A	PRESSURE SWITCH, ESG (2 PSI) (OEM)	R0013200
19	6203-022C	PRESSURE SWITCH, SPECIAL(1-10 PSI)	R0015500
20	6200-171	TUBE, SYPHON LOOP ASSY	R0057800
21	6203-063	COMPLETE HI-LIMIT ASSY (BOTH HI-LIMITS, RUBBER BOOTS, WIRE HARNESS)	R0023600
22	6203-064A	DISC, HI-LIMIT SWITCH 135 F	R0022700
23	6203-064	DISC, HI-LIMIT 150 F	R0023000
24	OBSOLETE	OBSOLETE S-989 RUBBER RETAINER	S0098900
25	OBSOLETE	OBSOLETE WIRE HARNESS	10419301
26	6200-155	HI LIMIT RETAINER CLIP	10418400
27	OBSOLETE	OBSOLETE HI LIMIT SWITCH COVER	10418300
28	6200-173	FUSIBLE LINK	R0012200
30	REPLACE	NLA IGNITOR BOX ASSY REP W/6203-122	R0383900
31	REPLACE	NLA IGNITER REP W/6203-122	R0367100
31	6203-122	IGNITION RETROFIT KIT	R0449800
32	OBSOLETE	OBSOLETE IGNITOR FUSE, SET OF 2	R0383300
33	REPLACE	NLA FLAME SENSE ROD REP W/6203-120	R0367200
33	6203-120	FLAME SENSE ROD	R0334300
34	6203-111	WIRE HARNESS, TEMP IGNITION CONTROL	R0366600
45	6200-211C	HEADER, FRONT 2 IN	R0056400
45	6203-043A	HEADER, INLET/OUTLET 2" BRONZE	R0016800
46	6200-213	HEADER, REAR	R0058300
46	6203-044	HEADER, RETURN - ALL (BRONZE)	R0054600
47	OBSOLETE	OBSOLETE BOLT KIT	R0057000
48	6200-213B	HEADER BOLT 2.5 INCH	F0046100
49	6200-260	WASHER, HEADER	F0011100
50	6200-262	NUT, HEADER	F0003100
51	6200-2161	GASKET, HEADER - SET OF 18	R0050800
52	6200-223A	FLANGE KIT 2" & 1 1/2" (2 PER KIT)	R0055000
53	6200-223	FLANGE, SINGLE	10573500
54	6201-18B	GASKET, FLANGE 2" (SINGLE)	S0078000
54	6201-18A	GASKET, FLANGE 2 X 1 1/2IN	S0078100
55	6200-220A	SLEEVE FOR 2" FLANGE	S0078200
56	5110-15	BOLT, FLANGE (3/8-16 X 2)	F0031700
60	6203-066	PLUG, FOR REDUNDANT HI-LIMIT	P0026800
61	6203-069	PLUG, 3/4IN	P0027000

KEY	ITEM #	DESCRIPTION	MFG. #
62	6203-054	ROD ASSY. W/DISK (NO SPRING)	R0013100
62	6203-048E	BY PASS ASSY WITH SPRING 125	10701401
62	6203-048F	BY PASS ASSY WITH SPRING 175	10701402
62	6203-048G	BY PASS ASSY WITH SPRING 250	10701403
62	6203-048H	BY PASS ASSY WITH SPRING 325	10701404
62	6203-048I	BY PASS ASSY WITH SPRING 400	10701405
63	6203-052	ROD, FLOW CONTROL	S0079800
64	6203-051	NUT, FOR FLOW CONTROL ASSY.	F0048400
65	6200-259	DISC, BY-PASS	R0011500
66	REPLACE	NLA CAP, CAST IRON REP W/6200-101	10452200
66	6200-101	BYPASS ASSY	R054900
66	REPLACE	NLA CAP, BRONZE REP W/6203-128	10557400
66	6203-128	BYPASS CAP, BRONZE	S0076700
67	6200-261	CAPSCREW	F0041600
68	6203-053	SPRING, BY-PASS (PURPLE)	S0079900
68	6200-234	SPRING, BY-PASS (WHITE)	S0061400
68	6200-242	SPRING, BY-PASS (RED)	S0061300
68	6200-246	SPRING, BY-PASS (BLUE)	S0061200
68	6200-257	SPRING, BY-PASS (BLACK)	S0070100
69	6203-326	GASKET, FLOW CONTROL	R0011400
86	6200-291	TUBE BUNDLE, 125, 10" LONG	R0018101
86	6200-292	TUBE BUNDLE, 175, 12 7/8" LONG	R0018102
86	6200-293	TUBE BUNDLE, 250, 17 5/8" LONG	R0018103
86	6200-294	TUBE BUNDLE, 325, 22" LONG	R0018104
86	6200-295	TUBE BUNDLE, 400, 26 3/4" LONG	R0018105
71	OBSOLETE	OBSOLETE BAFFLE, SINGLE, 125	10697401
71	6203-056A	BAFFLE, SINGLE, 175	10697402
71	6203-056B	BAFFLE, SINGLE, 250	10697403
71	6203-056C	BAFFLE, SINGLE, 325	10697404
71	6203-056D	BAFFLE, SINGLE, 400	10697405
72	6203-057	CLIP, BAFFLE RETAINER	S0083900
74	6203-070	RESTRICTORS, (125 ONLY)	S0000300
75	6200-387	VENT CAP, 125	10561501
75	6200-388	VENT CAP, 175	10561502
75	6200-389	VENT CAP, 250	10561503
75	6200-390	VENT CAP, 325	10561504
75	6200-391	VENT CAP, 400	10561505
76	6200-368	DRAFT HOOD, 125	10561401
76	6200-370	DRAFT HOOD, 175	10561402
76	6200-372	DRAFT HOOD, 250	10561403
76	6200-374	DRAFT HOOD, 325	10561404
76	6200-376	DRAFT HOOD, 400	10561405
77	6203-041	HEAT EXCHANGER COMPLETE, 125	10606401
77	6203-041A	HEAT EXCHANGER COMPLETE, 175	10606402
77	6203-041B	HEAT EXCHANGER COMPLETE, 250	10606403
77	6203-041C	HEAT EXCHANGER COMPLETE, 325	10606404
77	6203-041D	HEAT EXCHANGER COMPLETE, 400	10606405
*	6200-101	BY PASS ASSY LITE	R0054900
*	6203-150	HI-LIMIT SET (1 135 DEG & 1 150 DEG) (INCLUDES BOTH KEYS 22 & 23)	R0023200

* NOT SHOWN



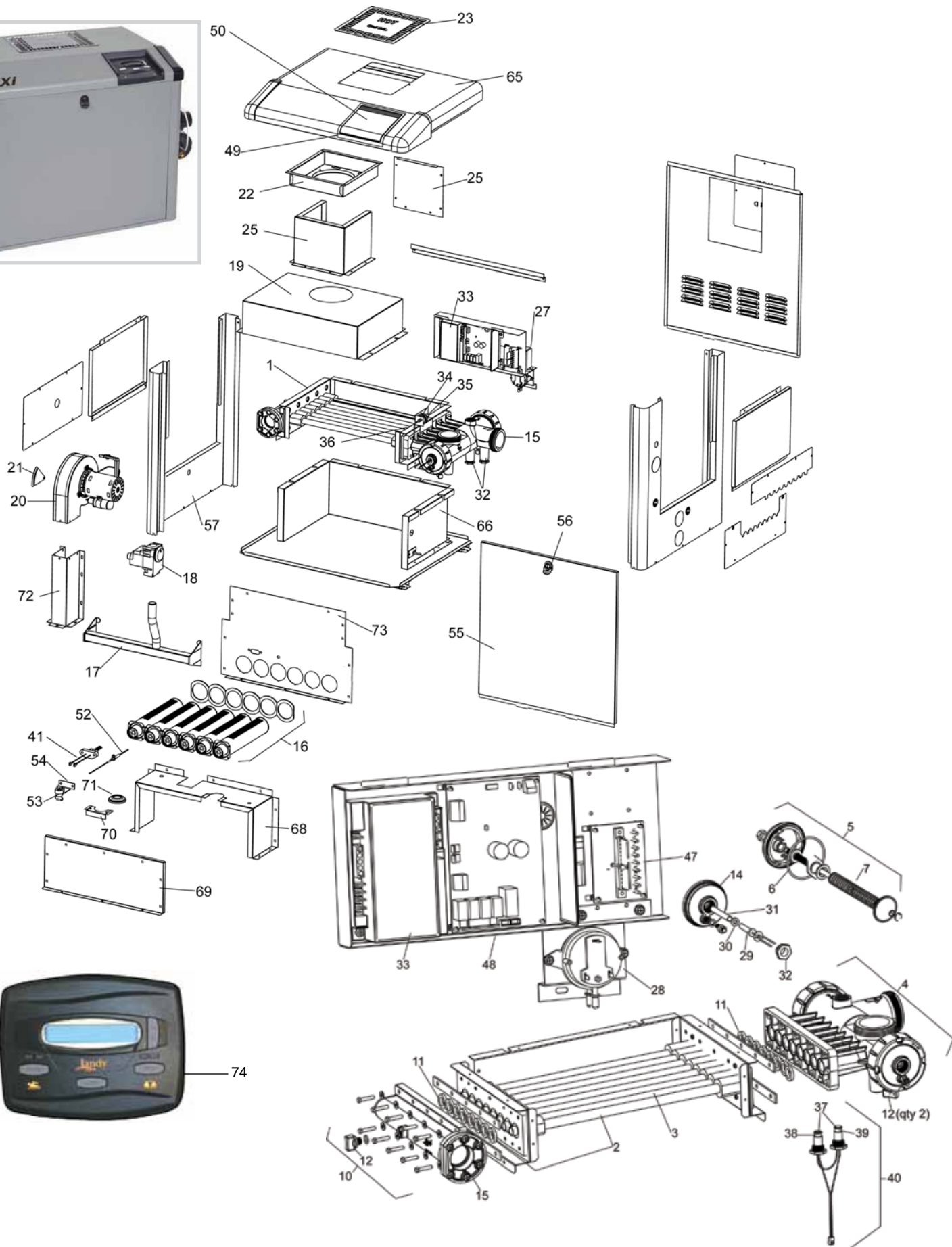
6203-079
KEY 8



6203-122
KEY 31



NLA REP W/6203-122
KEY 31



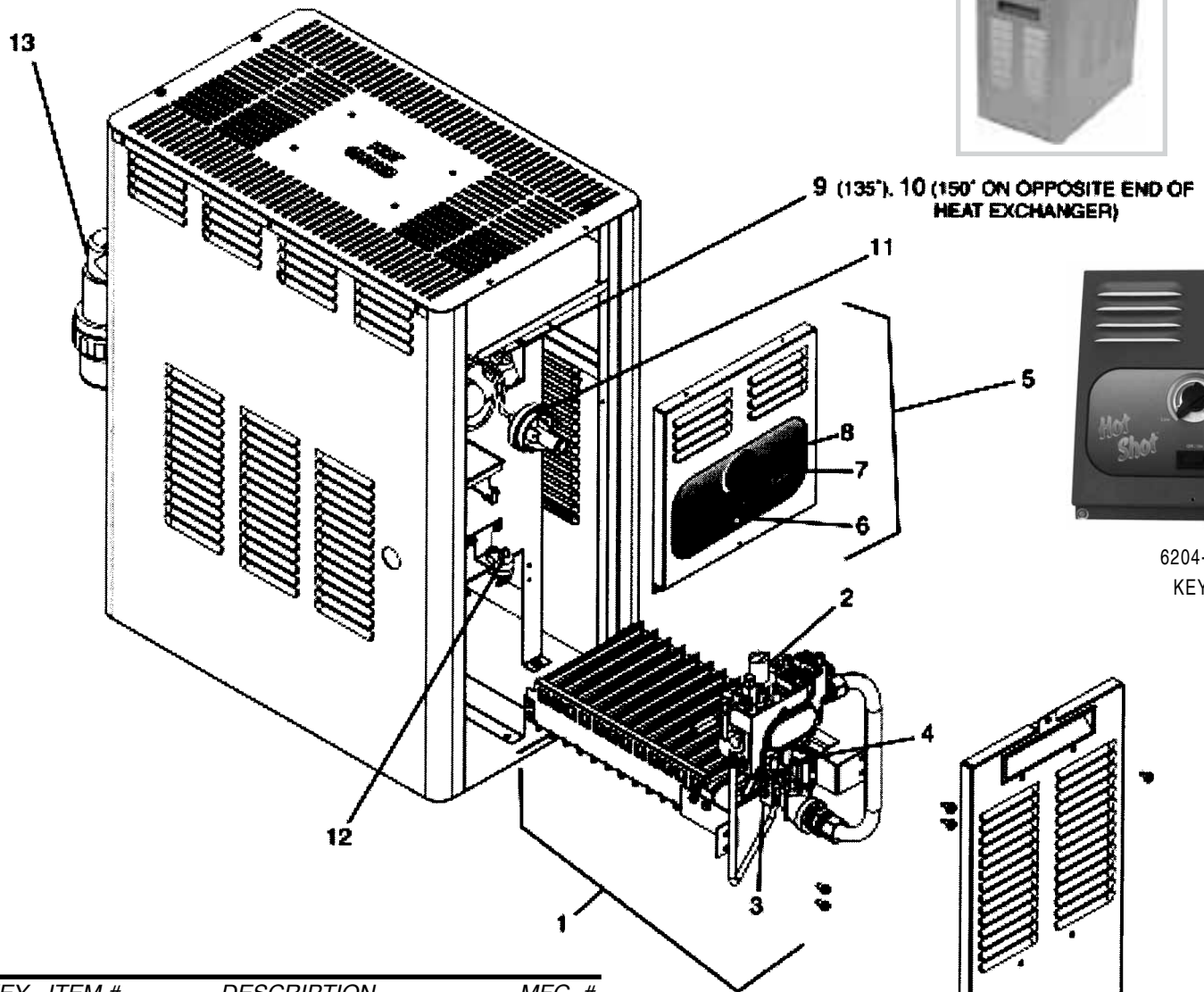
KEY	ITEM #	DESCRIPTION	MFG. #
HEAT EXCHANGER COMPONENTS			
1	6204-160	LXI 250, COMPLETE HEAT EXCHANGER	R0453303
1	6204-161	LXI 300, COMPLETE HEAT EXCHANGER	R0453304
1	6204-162	LXI 400, COMPLETE HEAT EXCHANGER	R0453305
2	6204-163	LXI 250, TUBE BUNDLE W/HDWR, GASKETS	R0453403
2	6204-164	LXI 300, TUBE BUNDLE W/HDWR, GASKETS	R0453404
2	6204-165	LXI 400, TUBE BUNDLE W/HDWR, GASKETS	R0453405
	6204-166	CONTROL, USER INTERFACE AND GASKET	R0458300
3	6204-167	LXI 250, HEAT EXCHANGER END BAFFLES	R0453503
3	6204-168	LXI 300, HEAT EXCHANGER END BAFFLES	R0453504
3	6204-169	LXI 400, HEAT EXCHANGER END BAFFLES	R0453505
4	6204-170	FRONT HEADER W/HDWR & GASKETS	R0453600
5	6204-171	BY PASS WITH HDWR & GASKETS	R0453700
6	6204-172	BY PASS WITH O-RING	R0453800
7	6204-173	BY PASS SPRING	R0453900
8	6204-174	COUPLING NUT KIT W/O-RING (SET OF 2)	R0454000
9	6204-175	COUPLING O-RING (SET OF 2)	R0454100
10	6204-200	REAR HEADER W/HDWR & GASKETS	R0454200
11	6204-176	HEADER GASKET, (SET OF 16)	R0454300
12	6204-177	DRAIN PLUG W/O-RING (SET OF 3)	R0454400
13	6204-178	HEAT EXCHANGER HDWR W/GASKETS	R0454500
14	6204-179	SENSOR CAP WITH O-RING	R0455400
15	6204-180	RETURN HEADER CAP WITH O-RING	R0454600
GAS COMPONENTS			
16	6204-181	BURNER WITH GASKET	R0454700
16	6204-182	BURNER WITH TAP & GASKET	R0454701
17	6204-183	LXI 250 GAS MANIFOLD W/ORIFICES, NG	R0454803
17	6204-184	LXI 300 GAS MANIFOLD W/ORIFICES, NG	R0454804
17	6204-185	LXI 400 GAS MANIFOLD W/ORIFICES, NG	R0454805
17	6204-186	LXI 250 GAS MANIFOLD W/ORIFICES, LP	R0455003
17	6204-187	LXI 300 GAS MANIFOLD W/ORIFICES, LP	R0455004
17	6204-188	LXI 400 GAS MANIFOLD W/ORIFICES, LP	R0455005
18	6204-189	GAS VALVE WITH STREET ELBOW, NG	R0455200
18	6204-190	GAS VALVE WITH STREET ELBOW, LP	R0455300
EXHAUST SYSTEM			
19	6204-192	LXI 250 FLUE COLLECTOR WITH GASKETS	R0455503
19	6204-193	LXI 300 FLUE COLLECTOR WITH GASKETS	R0455504
19	6204-194	LXI 400 FLUE COLLECTOR WITH GASKETS	R0455505
20	6204-195	BLOWER ASSY WITH GASKETS	R0455600
21	6204-196	AIR ORIFICE ADJUSTMENT BRACKET	R0455700
22	6204-197	LXI 250 FLUE VENT ASSY W/GASKETS	R0455801
22	6204-198	LXI 300 & 400 FLUE VENT W/GASKETS	R0455802
23	6204-261	LXI 250 OUTDOOR GRILL	R0456001
23	OBSOLETE	OBSOLETE LXI 300, LXI400 OUTDOOR GRILL	R0456002
24	6204-199	VENT HARDWARE KIT	R0456100
25	6204-203	FLUE BOX ASSY WITH GASKET	R0456200
26	6204-204	LXI 250 & 300, SIDE WALL VENT KIT	R0467301
26	6204-205	LXI 400, SIDE WALL VENT KIT	R0467302

KEY	ITEM #	DESCRIPTION	MFG. #
ELECTRICAL			
27	6204-206	TRANSFORMER	R0456300
28	6204-207	AIR PRESSURE SWITCH	R0456400
29	6204-208	TEMP SENSOR W/SLEEVE & GASKET	R0456500
30	6204-209	TEMP SENSOR GASKET	R0456600
31	6204-210	TEMP SENSOR PLASTIC SLEEVE	R0456700
32	6204-211	TEMP SENSOR RETAINING NUT	R0456800
33	6204-212	IGNITION CONTROL	R0456900
34	6204-213	WATER PRESSURE SWITCH ASSY	R0457000
35	6203-022A	WATER PRESSURE SWITCH, 2 PSI	R0013200
36	6204-214	WATER PRESSURE SWITCH TUBING	R0457100
37	6204-215	HIGH LIMIT SET	R0457200
38	6204-216	HIGH LIMIT 130 DEGREE	R0457300
39	6203-064	HIGH LIMIT 150 DEGREE	R0023000
40	6204-217	HI LIMITS WITH WIRING HARNESS	R0457400
41	6204-218	HOT SURFACE IGNITOR	R0457500
42	6204-219	WIRE HARNESS SET COMPLETE	R0457600
43	6204-220	CONTROLLER WIRE HARNESS	R0457700
44	6204-221	WATER PRESSURE SWITCH HARNESS	R0457800
45	6204-222	SAFETY CIRCUIT WIRE HARNESS	R0457900
46	6204-223	AIR FLOW SWITCH WIRE HARNESS	R0460400
47	6204-224	POWER DISTRIBUTION PC BOARD	R0458100
48	6204-225	CONTROLLER PWER INTERFACE PCB	R0458200
49	6204-166	UNIVERSAL CONTROL INTERFACE	R0458300
50	6204-226	SMOKED DISPLAY COVER	R0458400
51	6204-227	CONTROL GASKET	R0458500
52	6204-228	FLAME SENSOR	R0458600
53	6200-173	FUSIBLE LINK	R0012200
54	6204-229	FUSIBLE LINK BRACKET	R0337200
JACKET ASSEMBLY			
55	6204-230	LXI 250 DOOR WITH LATCH	R0458703
55	6204-231	LXI 300 DOOR WITH LATCH	R0458704
55	6204-232	LXI 400 DOOR WITH LATCH	R0458705
56	6204-250	DOOR LATCH & HANDLE ASSEMBLY	R0334900
65	6204-244	LXI 250 TOP ASSEMBLY	R0459503
65	6204-245	LXI 300 TOP ASSEMBLY	R0459504
65	6204-246	LXI 400 TOP ASSEMBLY	R0459505
66	OBSOLETE	OBSOLETE COMBUSTION CHAMBER PANELS	R0459603
66	OBSOLETE	OBSOLETE COMBUSTION CHAMBER PANELS	R0459604
66	OBSOLETE	OBSOLETE COMBUSTION CHAMBER PANELS	R0459605
68	6204-237	LXI 250 AIR CHAMBER HOUSING	R0460003
68	6204-238	LXI 300 AIR CHAMBER HOUSING	R0460004
68	6204-239	LXI 400 AIR CHAMBER HOUSING	R0460005
69	6204-247	LXI 250 AIR CHAMBER COVER	R0460103
69	6204-248	LXI 300 AIR CHAMBER COVER	R0460104
69	6204-249	LXI 400 AIR CHAMBER COVER	R0460105
72	6204-191	AIR DUCT	R0460500
73	OBSOLETE	OBSOLETE BURNER PANEL	R0467900
OPTIONAL			
74	6204-260	OPTIONAL UNIVERSAL REMOTE	R3008800
*	6205-077	PRESSURE RELIEF VALVE	R0336100

* NOT SHOWN

KEY	ITEM #	DESCRIPTION	MFG. #
MAINTENANCE AND SERVICE			
6203-200	LIMESTONE GRAVEL (CONDENSATE NEUTRALIZER)	R0306200	
6203-201	COMBUSTION AIR FILTER	R0308000	
WATER SYSTEM			
13	6207-551	HEAT EXCHANGER ASSY, COMPLETE, 220	R0303802
13	6207-550	HEAT EXCHANGER ASSY, COMPLETE, 350	R0303805
14	6207-552	TUBE BUNDLE, 220	R0304103
14	6207-553	TUBE BUNDLE, 350	R0304105
15	6207-157	INLET/OUTLET HEADER	R0303900
16	6207-101	RETURN HEADER	R0304000
17	6207-017	GASKET, HEADER	R0304300
18	6207-102	BY-PASS VALVE ASSEMBLY	R0304400
19	6203-128	BYPASS VALVE CAP, BRONZE	10557400
20	6200-326	BY-PASS VALVE GASKET	S0074100
21	6207-103	BY-PASS VALVE SPRING	R0304500
22	6207-104	BY-PASS VALVE ROD	R0304900
23	6200-259	BY-PASS VALVE DISK	R0011500
24	6200-223A	FLANGE & GASKET ASSY,(SET OF 2)	R0055000
25	6200-223	FLANGE, 2"	10573500
26	6201-18B	FLANGE GASKET, 2"	S0078000
27	6200-220A	FLANGE SLEEVE, 2"	S0078200
28	5110-15	FLANGE BOLT	F0031700
29	6201-18A	FLANGE GASKET 1 1/2 - 2"	S0078100
*	6200-400	PRESSURE RELIEF VALVE	R0040400
*	6207-160	HEAT EXCHANGER HARDWARE KIT	R0319105
*	6207-161	INLET/OUTLET HEADER HARDWARE KIT	R0319300
*	6207-162	RETURN HEADER HARDWARE KIT	R0319200
COMBUSTION SYSTEM			
31	6203-207	GAS VALVE	R0200100
*	6207-105	ANTI-ROTATION BRACKET	R0309900
33	6207-106	ORIFICE HOLDER	R0320000
34	OBSOLETE	OBSOLETE GAS ORIFICE, NG, 220	R0309303
34	6207-109	GAS ORIFICE, NG, 350	R0309305
34	OBSOLETE	OBSOLETE GAS ORIFICE, LP, 220	R0309403
34	6207-111	GAS ORIFICE, LP, 350	R0309405
35	OBSOLETE	OBSOLETE COMBUSTION AIR FILTER ASSY	R0306400
36	6203-201	COMBUSTION AIR FILTER	R0308000
37	OBSOLETE	OBSOLETE VENTURI INLET, 220	R0320303
37	6207-115	VENTURI INLET, 350	R0320305
38	6207-116	VENTURI O-RING	R0320400
39	6207-117	VENTURI PLENUM	R0320500
40	OBSOLETE	OBSOLETE VENTURI/TAIPIPE GASKET	R0320600
41	6207-119	MIXING CHAMBER/TAIPIPE ASSEMBLY	R0307300
42	6207-120	MIXING CHAMBER/BURNER GASKET	R0320800
43	6207-121	BURNER ASSEMBLY, 220	R0305903
43	6207-122	BURNER ASSEMBLY, 350	R0305905
44	6207-123	BURNER GASKET, 220	R0305803
44	6207-124	BURNER GASKET, 350	R0305805
45	OBSOLETE	OBSOLETE COMBUSTION CHAMBER ASSY	R0305103
45	6207-126	COMBUSTION CHAMBER ASSY, 350	R0305105
46	6207-127	REFRACTORY TILE SET, 220	R0305303
46	OBSOLETE	OBSOLETE REFRACTORY TILE SET, 350	R0305305
47	6207-129	SIGHT GLASS ASSY	R0305400
48	6207-164	COMBUSTION CHAMBER STRIP SET, 220	R0213103
48	6207-165	COMBUSTION CHAMBER STRIP SET, 350	R0213105
49	6207-130	COMBUSTION CHAMBER GASKET, 220	R0305703

KEY	ITEM #	DESCRIPTION	MFG. #
49	6207-131	COMBUSTION CHAMBER GASKET, 350	R0305705
*	6207-621	VENTURI HARDWARE KIT	R0322200
*	6207-132	MIXING CHAMBER HARDWARE KIT	R0322100
*	6207-133	BURNER HARDWARE KIT, 220	R0319403
*	6207-134	BURNER HARDWARE KIT, 350	R0319405
EXHAUST ASSEMBLY			
50	OBSOLETE	OBSOLETE COLLECTOR, 220	R0303203
50	OBSOLETE	OBSOLETE COLLECTOR, 350	R0303205
51	6207-137	BLOWER/COLLECTOR GASKET	R0308700
52	6203-203	COMBUSTION BLOWER	R0308200
53	6207-138	BLOWER/VENT DUCT SLEEVE	R0308600
54	6207-139	BLOWER/ VENT DUCT CLAMP	R0308800
55	6207-140	VENT DUCT ASSEMBLY	R0303100
56	6207-141	VENT DUCT/HEATER TOP GASKET	R0309100
57	6207-142	HEATER TOP/OUTDOOR EXHAUST GRILL GASKET	R0309500
58	6207-156	OUTDOOR EXHAUST GRILLE	R0308400
59	6207-157	INDOOR VENT COLLAR	R0307900
60	6207-600	CONDENSATE TRAP ASSEMBLY	R0303300
61	6203-200	LIMESTONE GRAVEL	R0306200
62	OBSOLETE	OBSOLETE CONDENSATE TRAP COVER	R0213300
*	6207-163	VENTURI HARDWARE KIT	R0322200
*	6207-132	MIXING CHAMBER HARDWARE KIT	R0322100
ELECTRICAL			
63	6203-027	TRANSFORMER	R0061100
64	6207-144	IN-LINE FUSE HOLDER ASSEMBLY	R0325600
65	6200-03	IGNITION CONTROL	R0202900
66	6207-145	WIRE HARNESS, IGNITION CONTROL	R0302700
67	6207-670	IGNITER ASSEMBLY	R0016400
68	6207-146	IGNITER GASKET	R0205300
69	OBSOLETE	OBSOLETE TERMINAL BLOCK	R0301900
70	6203-0631	HIGH-LIMIT SWITCH SET	R0322700
71	6207-148	HIGH-LIMIT SWITCH, 135°F	R0302400
72	6207-149	HIGH-LIMIT SWITCH, 150°F	R0302300
73	OBSOLETE	OBSOLETE HIGH-LIMIT WIRE HARNESS	R0322600
74	6207-150	PRESSURE SWITCH & SYPHON LOOP ASSY	R0322900
75	6203-022A	PRESSURE SWITCH, 2 PSI	R0013200
76	OBSOLETE	OBSOLETE PRESSURE SWITCH	R0307800
77	6203-071B	TEMPERATURE CONTROL ASSY, ELECTRONIC	R0011700
*	6203-061	TEMPERATURE SENSOR	R0011800
79	6203-060	TEMPERATURE SENSOR GASKET	E0116400
80	6200-162	TEMPERATURE SENSOR PLASTIC SLEEVE	10444900
81	6203-072	TEMPERATURE CONTROL KNOB	R0010700
82	6203-074	POOL/SPA SELECTOR KNOB	R0099900
83	OBSOLETE	OBSOLETE TEMP-LOK" DISC "	10583100
84	6207-152	TEMPERATURE SENSOR RETAINER CLIP	10716701
85	6205-059	DIFFERENTIAL PRESSURE SWITCH	R0302000
86	6207-153	DIFFERENTIAL PRESSURE SWITCH BRACKET	R0302200
87	6207-870	EXHAUST VENT LIMIT SWITCH	R0309000
88	6207-100	BURNER HIGH LIMIT SWITCH	R0319700
89	6207-154	COMBUSTION BLOWER WIRE HARNESS	R0308100



6204-007
KEY 5

KEY	ITEM #	DESCRIPTION	MFG. #
	1	6204-001 BURNER TRAY, NG	R0367800
	1	6204-002 BURNER TRAY, LP	R0367900
	2	6204-003 GAS VALVE, NG	R0368000
	2	6204-004 GAS VALVE, LP	R0368100
	3	6204-005 PILOT ASSY, NG	R0368200
	3	6204-006 PILOT ASSY, LP	R0368300
	4	6200-109 PILOT GENERATOR	W0036901
	5	6204-007 THERMOSTAT ASSY	R0367700
	6	6203-078 ON/OFF SWITCH	R0099800
	7	6203-072 THERMOSTAT KNOB	R0010700
	8	OBSOLETE OBSOLETE KNOB STOP PLATE	10583100
	9	6204-090 HI LIMIT, 135 DEGREE	R0368400
	10	6204-100 HI LIMIT, 150 DEGREE	R0368500
	11	6203-022A PRESSURE SWITCH, 2PSI	R0013200
	12	6200-173 FUSIBLE LINK	R0012200
	13	6204-008 INLET/OUTLET HEADER ASSY	R0368600
	14	6204-140 UNION KIT 1 1/2" SET OF 2	R0385900
*	OBSOLETE	OBSOLETE TEMP SENSOR	E0216200
*	6204-150	UNION O-RING KIT	R0386100



6204-008

6204-140

* NOT SHOWN

COMPLETE HEAT EXCHANGERS - 2" HEADERS

ITEM #	HEATER SIZE	MFG. NO.
6203-041	125	10606401
6203-041A	175	10606402
6203-041B	250	10606403
6203-041C	325	10606404
6203-041D	400	



6203-041



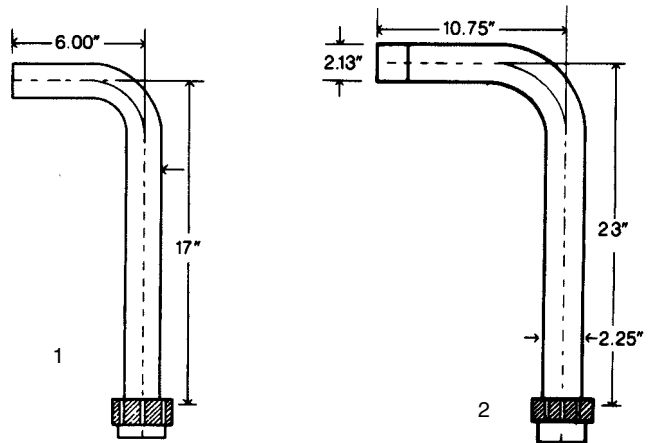
6203-041D

Includes - Tube Bundle with baffles and gaskets.
Front Header with bypass, plug, & pressure switch fitting
Rear Header with plugs

HEAT SINKS

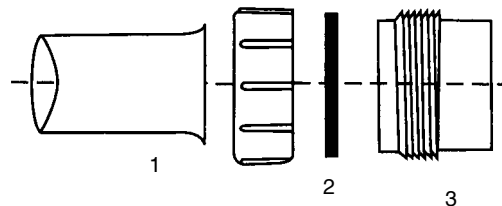
SR SMITH - STAINLESS STEEL

KEY ITEM #	DESCRIPTION	MFG. #
1	OBSOLETE SET OF 2 1 1/2" X 17" WITH 1 1/2" SLIP UNION (TUBING OUTSIDE DIAMETER IS 1 5/8")	H515-17
2	6227-0 SET OF 2 2" X 23" WITH 2" SLIP UNION (TUBING OUTSIDE DIAMETER IS 2 1/4")	H520-23



UNION PARTS

KEY ITEM #	DESCRIPTION	MFG. #
1 1/2" HEAT SINKS		
1	6226A UNION NUT	HS100
2	4656-09 UNION O-RING	HS001
3	6226B TAILPIECE WITH O-RING	HS200
2" HEAT SINKS		
1	6227C UNION NUT	HS102
2	5002-21 UNION O-RING	HS002
3	6227B TAILPIECE ONLY	HS202



ATTENTION

THIS PAGE IS ONLY AVAILABLE IN THE INTERNET VERSION OF THE POOL & SPA CATALOG.

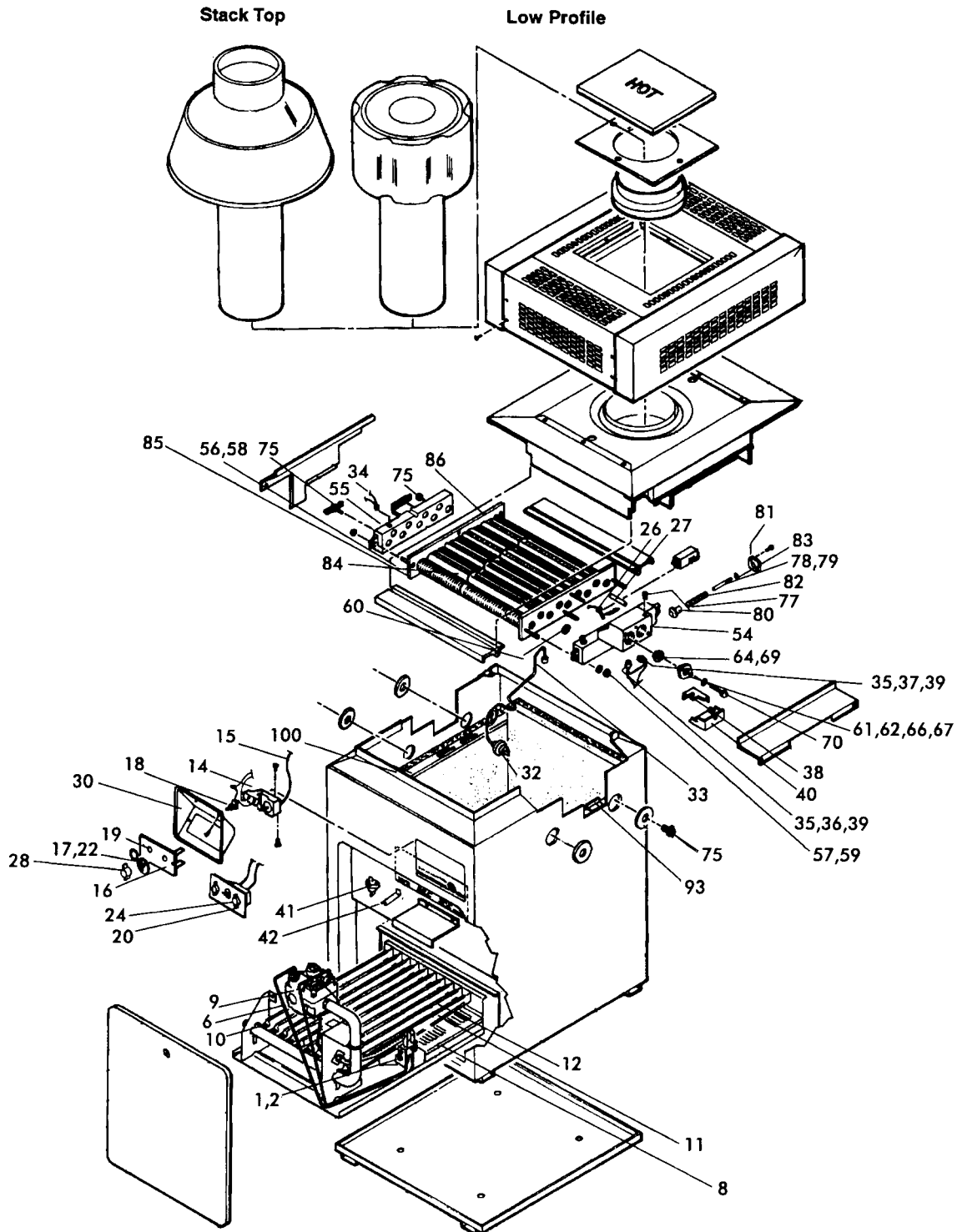
KEY	ITEM #	DESCRIPTION	MFG. #	KEY	ITEM #	DESCRIPTION	MFG. #
GAS SYSTEM							
1	6203-010B	PILOT BURNER, NG	R0061600	60	6203-012A	HEADER BOLT SET	R0057000
1	6203-010C	PILOT BURNER, LP	W0038300	61	6200-213B	HEADER BOLT, 2-1/2"	F0046100
2	6200-114A	PILOT TUBING	R0037000	62	6200-260	WASHER	F0011100
3	6203-019	FLAME SENSOR, LP	W0037500	63	6200-262	NUT	F0003100
4	6203-014A	CERAMIC INSULATOR	R0011600	64	6200-2161	HEADER GASKET (SET OF 18)	R0050800
6	6200-21E	BURNER TRAY SHELF ONLY, 125	R0317001	65	6200-222	FLANGE & GASKET ASSY 1-1/2"	R0031900
6	6200-21A	BURNER TRAY SHELF ONLY, 175	R0317002	66	REPLACE	NLA FLANGE, 1-1/2" REP W/6203-118	S0053300
6	6200-21B	BURNER TRAY SHELF ONLY, 250	R0317003	66	6203-118	1-1/2" FLANGE WITH BOLTS	R0329000
6	6200-21C	BURNER TRAY SHELF ONLY, 325	R0317004	67	6201-18	FLANGE GASKET, 1-1/2"	S0053100
6	6200-21D	BURNER TRAY SHELF ONLY, 400	R0317005	68	OBSOLETE	OBSOLETE FLANGE SLEEVE, 1-1/2"	S0028000
7	6200-132D	GAS VALVE, NG, 125-175	R0039200	69	5110-15	FLANGE BOLT	F0031700
7	6200-132E	GAS VALVE, NG, 250-400	R0038400	70	6200-223A	FLANGE & GASKET ASSY 2"	R0055000
7	OBSOLETE	OBSOLETE GAS VALVE, LP	R0028200	71	6200-223	FLANGE, 2"	10573500
8	6200-134	GAS ORIFICE, NG	L0032200	72	6201-18B	FLANGE GASKET, 2"	S0078000
8	6200-136	GAS ORIFICE, LP	L0032900	73	6200-220A	FLANGE SLEEVE, 2"	S0078200
9	6200-139	MAIN BURNER W/PILOT BRACKET	10457200	74	5110-15	FLANGE BOLT	F0031700
10	6200-141	MAIN BURNER	L0052300	75	6201-18A	FLANGE GASKET 2 X 1-1/2"	S0078100
ELECTRICAL SYSTEM							
12	6203-071B	TEMP CONTROL (EPS, EPCII)	R0011700	79	6203-066	DRAIN PLUG	P0026800
14	REPLACE	NLA WIRE HARNESS (EPS, EPCII) REP W/6200-450	R0058000	81	6203-069	BRASS PLUG, 3/4"	P0027000
14	6200-450	WIRE HARNESS	R0058100	82	6203-054	BY PASS ASSY	R0013100
15	6203-061	TEMP SENSOR (EPS, EPCII)	R0011800	83	6203-052	BY PASS ROD	S0079800
16	6203-007	KNOB, SINGLE BAR (EPS, EPCII)	R0099900	84	6200-259	BY PASS DISC	R0011500
17	6200-163	TEMP CONTROL (EPC)	R0318800	85	REPLACE	NLA BY PASS CAP REP W/6200-101	S0069100
18	6203-082	ON OFF SWITCH (EPC)	R0094100	86	6200-234	SPRING WHITE, 125, 1-1/2"	S0061400
19	OBSOLETE	OBSOLETE TEMP PLATE (EPC)	10456300	86	6200-242	SPRING RED, 175, 1-1/2"	S0061300
21	6203-072	THERMOSTAT KNOB	R0010700	86	6200-246	SPRING BLUE, 250, 1-1/2"	S0061200
24	6203-076	BEZEL	S0069800	86	6200-252	SPRING BROWN, 325, 1-1/2"	S0061100
26	6203-073	TEMP LOCK STOP PLATE	10583100	86	6200-256	SPRING ORANGE, 400, 1-1/2"	S0061000
28	6203-022A	PRESSURE SWITCH, 2 PSI	R0013200	86	6203-053	SPRING PURPLE, 125, 2"	S0079900
28	6203-022C	PRESSURE SWITCH, 1-10 PSI	R0015500	86	6200-234	SPRING WHITE, 175, 2"	S0061400
29	6200-171	SYPHON LOOP	R0057800	86	6200-242	SPRING RED, 250, 2"	S0061300
30	6203-150	HI-LIMIT SET (1 135 DEG & 1 150 DEG)	R0023200	86	6200-246	SPRING BLUE, 325, 2"	S0061200
31	6203-064A	HIGH LIMIT, 135 DEGREE	R0022700	86	6200-257	SPRING BLACK, 400, 2"	S0070100
32	6203-064	HIGH LIMIT, 150 DEGREE	R0023000	87	6203-326	BY PASS GASKET	R0011400
33	6200-155	RETAINER CLIP	10728500	88	6200-291	EXCHANGER TUBE ASSY, 125	R0018101
34	6203-100	RETAINER BOOT	S0098900	88	6200-292	EXCHANGER TUBE ASSY, 175	R0018102
35	OBSOLETE	OBSOLETE SWITCH COVER	10418300	88	6200-293	EXCHANGER TUBE ASSY, 250	R0018103
36	6200-173	FUSIBLE LINK	R0012200	88	6200-294	EXCHANGER TUBE ASSY, 325	R0018104
37	6203-021	FUSIBLE LINK BRACKET	10479900	88	6200-295	EXCHANGER TUBE ASSY, 400	R0018105
38	6203-027	TRANSFORMER	R0061100	89	OBSOLETE	OBSOLETE EXCHANGER BAFFLE	10697401
41	6203-031	IN LINE FUSE ASSEMBLY	10480000	89	6203-056A	EXCHANGER BAFFLE, SINGLE, 175	10697402
42	6200-37A	IGNITION CONTROL, NG	R0011900	89	6203-056B	EXCHANGER BAFFLE, SINGLE, 250	10697403
43	6203-026	IGNITION CONTROL HARNESS	R0059800	89	6203-056C	EXCHANGER BAFFLE, SINGLE, 325	10697404
44	REPLACE	NLA HIGH VOLTAGE LEAD REP W/6203-007	10449513	89	6203-056D	EXCHANGER BAFFLE, SINGLE, 400	10697405
44	6203-007C	HIGH VOLTAGE LEAD, LP (RED WIRE) (EPC-LP)	R0012100	90	6203-057	BAFFLE RETAINER	S0083900
44	6203-007	HIGH VOLTAGE LEAD (ESC)	R0099000	*	6200-450	WIRE HARNESS (EPC, EPS, EPCII)	R0058100
WATER SYSTEM							
58	6200-211	INLET/OUTLET, 1-1/2", CAST IRON	R0058400	*	6200-101	COMPLETE BYPASS ASSY	R0054900
58	6200-211C	INLET/OUTLET, 2", CAST IRON	R0056400			LAARS LITE	
58	6203-043A	INLET/OUTLET, 2", BRONZE	R0016800			COMPLETE HI-LIMIT ASSY	R0023600
59	6200-213	RETURN HEADER	R0058300			(BOTH HI-LIMITS, RUBBER BOOTS, WIRE HARNESS)	
59	6203-044	RETURN HEADER, BRONZE	R0054600				

* NOT SHOWN

EPG & EPM MILLIVOLT MANUFACTURED 1990-1992

ATTENTION

THIS PAGE IS ONLY AVAILABLE IN THE INTERNET VERSION OF THE POOL & SPA CATALOG.



ATTENTION

THIS PAGE IS ONLY AVAILABLE IN THE INTERNET VERSION OF THE POOL & SPA CATALOG.

KEY	ITEM #	DESCRIPTION	MFG. #	KEY	ITEM #	DESCRIPTION	MFG. #
GAS SYSTEM				WATER SYSTEM			
1	6200-109	PILOT BURNER, NG	R0027500	54	6200-211	INLET/OUTLET, 1-1/2", CAST IRON	R0058400
1	6200-109A	PILOT BURNER, LP	R0027600	54	6200-211C	INLET/OUTLET, 2", CAST IRON	R0056400
2	6200-109B	PILOT GENERATOR	W0036901	54	6203-043A	INLET/OUTLET, 2", BRONZE	R0016800
2	6200-108	PILOT GENERATOR (OLD STYLE GC)	R0025500	55	6200-213	RETURN HEADER	R0058300
6	6200-114A	PILOT TUBING	R0037000	55	6203-044	RETURN HEADER, BRONZE	R0054600
8	6200-21E	BURNER TRAY SHELF ONLY, 125	R0317001	56	6203-012A	HEADER BOLT SET	R0057000
8	6200-21A	BURNER TRAY SHELF ONLY, 175	R0317002	57	6200-262	NUT	F0003100
8	6200-21B	BURNER TRAY SHELF ONLY, 250	R0317003	58	6200-213B	HEADER BOLT, 2-1/2"	F0046100
8	6200-21C	BURNER TRAY SHELF ONLY, 325	R0317004	59	6200-260	WASHER	F0011100
8	6200-21D	BURNER TRAY SHELF ONLY, 400	R0317005	60	6200-2161	HEADER GASKET (SET OF 18)	R0050800
9	6200-132J	GAS VALVE, NG	R0027700	61	6200-222	FLANGE & GASKET ASSY 1-1/2"	R0031900
9	6200-132K	GAS VALVE, LP	R0027800	62	REPLACE	NLA FLANGE, 1-1/2" REP W/6203-118	S0053300
10	6200-134	GAS ORIFICE, NG	L0032200	62	6203-118	1-1/2" FLANGE WITH BOLTS	R0329000
10	6200-136	GAS ORIFICE, LP	L0032900	63	6201-18	FLANGE GASKET, 1-1/2"	S0053100
11	6200-139	MAIN BURNER W/PILOT BRACKET	10457200	64	OBSOLETE	OBSOLETE FLANGE SLEEVE, 1-1/2"	S0028000
12	6200-141	MAIN BURNER	L0052300	65	5110-15	FLANGE BOLT	F0031700
ELECTRICAL SYSTEM				66	6200-223A	FLANGE & GASKET ASSY 2"	R0055000
14**	6200-166	TEMPERATURE CONTROL (EPG)	R0058200	67	6200-223	FLANGE, 2"	10573500
14	6200-163	MECHANICAL THERMOSTAT	R0318800	68	6201-18B	FLANGE GASKET, 2"	S0078000
15	6203-033A	WIRE HARNESS (EPG)	R0058000	69	6200-220A	FLANGE SLEEVE, 2"	S0078200
17	6200-12	TEMP LOCK STOP PLATE (EPG)	10456700	70	5110-15	FLANGE BOLT	F0031700
18	6203-082	ON OFF SWITCH (EPG)	R0094100	71	6201-18A	FLANGE GASKET 2 X 1-1/2"	S0078100
19	6200-165	TEMP CONTROL LABEL (EPG)	H0105300	75	6203-066	DRAIN PLUG	P0026800
20	6203-071D	TEMP CONTROL (EPM)	R0015600	77	6203-069	BRASS PLUG, 3/4"	P0027000
22	6203-073	STOP PLATE (EPM)	10583100	78	6203-054	BY PASS ASSY	R0013100
24	6203-007	KNOB, SINGLE BAR (EPM)	R0099900	79	6203-052	BY PASS ROD	S0079800
25	6203-061	TEMP SENSOR	R0011800	80	6200-259	BY PASS DISC	R0011500
26	6203-060	TEMP CONTROL BULB O-RING	E0116400	81	REPLACE	NLA BY PASS CAP REP W/6200-101	S0069100
27	6200-162	PROTECTOR SLEEVE	10444900	82	6200-234	SPRING WHITE, 125, 1-1/2"	S0061400
28	6203-072	THERMOSTAT KNOB	R0010700	82	6200-242	SPRING RED, 175, 1-1/2"	S0061300
30	6203-076	BEZEL	S0069800	82	6200-246	SPRING BLUE, 250, 1-1/2"	S0061200
32	6203-022A	PRESSURE SWITCH, 2 PSI	R0013200	82	6200-252	SPRING BROWN, 325, 1-1/2"	S0061100
32	6203-022C	PRESSURE SWITCH, 1-10 PSI	R0011300	82	6200-256	SPRING ORANGE, 400, 1-1/2"	S0061000
33	6200-171	SYPHON LOOP	R0057800	82	6203-053	SPRING PURPLE, 125, 2"	S0079900
34	OBSOLETE	OBSOLETE REDUNDANT HI LIMIT	R0012800	82	6200-234	SPRING WHITE, 175, 2"	S0061400
35	6203-150	HI-LIMIT SET (1 135 DEG & 1 150 DEG)	R0023200	82	6200-242	SPRING RED, 250, 2"	S0061300
36	6203-064A	HIGH LIMIT, 135 DEGREE	R0022700	82	6200-246	SPRING BLUE, 325, 2"	S0061200
37	6203-064	HIGH LIMIT, 150 DEGREE	R0023000	82	6200-257	SPRING BLACK, 400, 2"	S0070100
38	6200-155	RETAINER CLIP	10728500	83	6203-326	BY PASS GASKET	R0011400
39	6203-100	RETAINER BOOT	S0098900	84	6200-291	EXCHANGER TUBE ASSY, 125	R0018101
40	OBSOLETE	OBSOLETE SWITCH COVER	10418300	84	6200-292	EXCHANGER TUBE ASSY, 175	R0018102
41	6200-173	FUSIBLE LINK	R0012200	84	6200-293	EXCHANGER TUBE ASSY, 250	R0018103
42	6203-021	FUSIBLE LINK BRACKET	10479900	84	6200-294	EXCHANGER TUBE ASSY, 325	R0018104
				84	6200-295	EXCHANGER TUBE ASSY, 400	R0018105
				85	OBSOLETE	OBSOLETE EXCHANGER BAFFLE	10697401
				85	6203-056A	EXCHANGER BAFFLE, SINGLE, 175	10697402
				85	6203-056B	EXCHANGER BAFFLE, SINGLE, 250	10697403
				85	6203-056C	EXCHANGER BAFFLE, SINGLE, 325	10697404
				85	6203-056D	EXCHANGER BAFFLE, SINGLE, 400	10697405
				86	6203-057	BAFFLE RETAINER	S0083900
				*	6200-101	COMPLETE BYPASS ASSY	R0054900
					LAARS LITE		
				*	6203-063	COMPLETE HI-LIMIT ASSY (BOTH HI-LIMITS, RUBBER BOOTS, WIRE HARNESS)	R0023600

* NOT SHOWN

** SOLID STATE REPLACEMENT