

FAUCET - COMMERCIAL

Institutional Quality - Specification Grade
Contemporary Design - Individually Pressure Tested

FAUCET - WALL MOUNT - HEAVY DUTY - 8" CENTRES



- Chrome plated brass - 1/2" FIP Inlets
- Twin Seal chrome plated brass tubular swing spout
- 55/64" Female water saver aerator
- Colour coded handles
- Full flow with a quarter turn of the handle
- Replacement handles & cartridges available

PART#	TYPE	SPOUT LENGTH	ADJUSTS
33006	-	6"	7-1/2" to 8/1/2"
33008	-	8"	7-1/2" to 8/1/2"
33010	-	10"	7-1/2" to 8/1/2"
33012	-	12"	7-1/2" to 8/1/2"
33014	-	14"	7-1/2" to 8/1/2"
33206	with female inlets with stops	6"	4-1/2" to 12-1/2"
33208	with female inlets with stops	8"	4-1/2" to 12-1/2"
33210	with female inlets with stops	10"	4-1/2" to 12-1/2"
33212	with female inlets with stops	12"	4-1/2" to 12-1/2"
33214	with female inlets with stops	14"	4-1/2" to 12-1/2"

FAUCET - WALL MOUNT - MEDIUM DUTY - 8" CENTRES



- Chrome plated brass- 1/2" FIP inlets
- Twin Seal chrome plated brass tubular swing spout
- 55/64" Female water saver aerator
- Colour coded handles
- Replacement handles & cartridges available

PART#	SPOUT LENGTH	ADJUSTS
33308	8"	7-1/2" to 8-1/2"
33310	10"	7-1/2" to 8-1/2"
33312	12"	7-1/2" to 8-1/2"
33314	14"	7-1/2" to 8-1/2"

COUPLING - FEMALE SUPPLY INLET

- Chrome plated brass - 1/2" FIP inlets
- 33350 and 33352 fit heavy duty wall mount faucets
- 33351 fits moderate duty wall mount faucets



PART#	FITS	ADJUSTS
33350	Heavy Duty	7-1/2" to 8-1/2"
33351	Medium Duty	7-1/2" to 8-1/2"
33352	Heavy Duty	4-1/2" to 12-1/2" with stops

FAUCET - COMMERCIAL DECK MOUNT

Highest Quality - Durable - Reliable - Economical

FAUCET - DECK MOUNT - HEAVY DUTY - 4" CENTRES



- Chrome plated brass - 1/2" FIP inlets
- Satin finished brass water ways
- 55/64" Female water saver aerator
- Twin Seal chrome plated brass tubular swing spout

PART#	DESCRIPTION
33105	6" spout length
33106	12" spout length

MEDIUM DUTY DECK MOUNT FAUCET - 4" CENTRES



- Same features as above model but a lighter pattern style and plain brass water ways.

PART#	DESCRIPTION
33151	6" Gooseneck spout length
33152	6" spout length
33153	8" spout length
33154	10" spout length
33155	12" spout length
33156	14" spout length
33160	Hot / Cold Handle replacement

MEDIUM DUTY WALL MOUNT FAUCET - 4" CENTRES



- Same features as above models but a lighter pattern style and plain brass water ways

PART#	DESCRIPTION
33161	6" Gooseneck spout length
33162	6" spout length
33163	8" spout length
33164	10" spout length
33165	12" spout length
33166	14" spout length
33160	replacement handles

FAUCET - SPECIAL DUTY COMMERCIAL

Highest Quality - Durable - Reliable - Economical

SERVICE SINK FAUCET - 8" CENTRES & 8" SPOUT



- Built in screwdriver stops
- Integral check stems
- 1/2" FIP inlets
- Satin chrome plated brass
- 3/4" Male hose thread on spout
- Chrome plated brass hinged wall support
- 7-1/2" to 8-1/2" Wall centres
- 12" Wall Bracket

PART#	DESCRIPTION
33110	1/2" FIP inlets

SERVICE SINK FAUCET - 8" CENTRES & 2-1/2" SPOUT



- Built in screwdriver stops
- Integral check stems
- 1/2" FIP inlets
- Satin chrome plated brass
- 3/4" Male hose thread on spout
- 7-1/2" to 8-1/2" Wall centres
- 12" Wall Bracket

PART#	DESCRIPTION
33109	1/2" FIP inlets

FAUCET - DECK MOUNT PANTRY

Dual Or Single Handle



33111



33113



33115



33117

- 1/2" FIP inlets
- Chrome plated brass
- 1/4" tailpieces on dual handle model
- Cold handle only on single lever, 1/2" FIP inlet
- 55"/64" Female water saver aerator
- 6" Twin Seal chrome plated brass tubular swing gooseneck spout

PART#	DESCRIPTION
33111	HOT & COLD
33113	COLD ONLY
33115	HOT & COLD
33117	COLD ONLY

FAUCET - SPECIAL DUTY COMMERCIAL

Highest Quality - Durable - Reliable - Economical

FAUCET - WALL MOUNT - 8" CENTRES



- Comes with blade style handles
- With 10" Swing Gooseneck Spout
- 1/2" FIP inlets
- Chrome plated brass
- 55"/64" Female water saver aerator
- Twin Seal chrome plated brass tubular swing gooseneck spout

PART#	DESCRIPTION
33190	7-1/2" to 8-1/2"
33194	4-1/2" to 12-1/2" with stops

HEAVY DUTY DECK MOUNT FAUCET - 4" CENTRES



- 1/2" FIP inlets
- Chrome plated brass
- 55"/64" Female water saver aerator
- Twin seal chrome plated brass tubular swing spout

PART#	SPOUT LENGTH
33107	6"
33108	12"

PRE-RINSE ASSEMBLIES - COMMERCIAL

Chrome Plated Brass - Built For Rugged Use.

PRE-RINSE - WALL MOUNT 8" CENTRES



Riser shortened for photo

- Available with either standard 7-1/2" to 8-1/2" adjustable female supply inlet couplings or, with 4-1/2" to 12-1/2" female supply inlet couplings with stops
- 1/2" FIP inlets
- 3/8" IPS X 24" Chrome plated brass riser
- 44" Stainless steel hose
- 12" Wall bracket
- Food service grade

PRE-RINSE - DECK MOUNT - SINGLE HANDLE



Specify cold or hot handle

Riser shortened for photo

- Chrome Plated Brass
- Built For Rugged Use
- Fits decks up to 1-1/4" thick
- 1/2" IPS inlet with 1/4" IPS tailpiece nipple
- 3/8" IPS X 24" Chrome plated brass riser
- 44" Stainless steel hose
- 12" Wall bracket
- Food service grade

PART#	DESCRIPTION
33013	7-1/2" to 8-1/2"
33016	4-1/2" to 12-1/2" with stops

PART#	DESCRIPTION
33100	Cold or hot

PRE-RINSE - DECK MOUNT



Riser shortened for photo

- Fits decks up to 1-1/4" thick
- 1/2" MIP inlets with
- 1/4" IPS tailpiece nipples
- 3/8" IPS X 24" Chrome plated brass riser
- 44" Stainless steel hose
- 12" Wall bracket
- Food service grade

PRE-RINSE - DECK MOUNT - 8" CENTRES



Riser shortened for photo'

- 1/2" FIP inlets
- 3/8" IPS X 24" Chrome plated brass riser
- 44" Stainless steel hose
- 12" Wall bracket
- Food service grade
- Chrome Plated Brass
- Built For Rugged Use

PART#	DESCRIPTION
33612	Pre-Rinse Deck Mount

PART#	DESCRIPTION
33003	1/2" FIP inlets

PRE - RINSE SPRAY ASSEMBLY - PARTS

PRE-RINSE - ADD ON FAUCET



- Connects to 3/8" pre-rinse riser
- Chrome plated brass
- 3/8" x 2-3/4" MIP inlet
- Spout with aerator
- With hot or cold colour codes
- Fits All Manufacturers

PART#	DESCRIPTION
33614	6" spout
33615	12" spout

HOSE - PRE-RINSE



- Flexible stainless steel
- Food grade inner hose withstands continuous working temperature

PART#	LENGTH
33044	44"
33060	60"
33072	72"

PRE-RINSE - SPRAY



REPLACES T & S

- Chrome plated brass
- High impact plastic handle
- Connects directly to hose
- High pressure wash
- Positive shut off
- Stay ring included

PART#	DESCRIPTION
33018	Complete
33020	Bumper Ring
33021	Spray Face
33030	Replacement Shaft w/ Male x Female IPS

PRE - RINSE SPRAY ASSEMBLY - PARTS

CARTRIDGE - PRE-RINSE SPRAY



- Chrome plated brass
- Replacement cartridge for 33018 Pre-Rinse Spray
- Also fits T & S models

PART#	DESCRIPTION
33019	Chrome plated brass

PRE-RINSE PARTS



← 33022
← 33023



← 33024

- 1-1/2" L SPRING**
 - Shortened for photo
 - Chrome

- COUPLING FOR SPRING**
 - 3/8" x 3/8" x 3" long

- RISER NIPPLE**
 - 3/8" x 24"

- WALL BRACKET FOR RISER**
 - C.P. Brass
 - 12" long

- RISERHOOK**
 - C.P. Brass



← 33025
← 33026

PART#	DESCRIPTION
33022	L-Spring 1-1/2" diameter
33023	Spring coupling
33024	3/8" x 24" CP riser nipple (not pictured)
33025	12" Wall bracket fits 3/8" riser
33026	3/8" Riser hook

COMMERCIAL FAUCET REPLACEMENT PARTS

SWING SPOUT



- Twin Seal
- Tubular
- Chrome plated brass
- 55/64" Female water saver aerator

STEM - REPLACEMENT



- For Heavy duty style faucets

PART# DESCRIPTION

33806	Spout - 6"
33808	Spout - 8"
33810	Spout - 10"
33812	Spout - 12"
33814	Spout - 14"
33816	Spout - 16"
33818	Spout - 18"

PART# DESCRIPTION

33027	Heavy Duty - Cold
33028	Heavy Duty - Hot
33031	Heavy Duty - Seat 5/8" x 27 TPI

SPOUT - GOOSENECK - HEAVY DUTY



- Twin Seal
- Tubular Chrome plated brass
- 55/64" Female water saver aerator

STEM - REPLACEMENT



- For Medium duty style faucets

PART# DESCRIPTION

33831	Gooseneck Spout - 6"
33832	Gooseneck Spout - 9"
33833	Gooseneck Spout - 12"

PART# DESCRIPTION

33320	Medium duty - Cold
33321	Medium duty - Hot

SPOUTS - DOUBLE SWING



- Twin Seal
- Tubular
- Chrome plated brass
- 55"/64" Female water saver aerator

HANDLE - REPLACEMENT



- 20 Spline
- Hot / Cold
- Sold by the pair

PART# DESCRIPTION

33850	Spout - 18"
--------------	-------------

PART# DESCRIPTION

33029	HD - Hot / Cold - lever
--------------	-------------------------

FAUCET - WALL MOUNT HEAVY DUTY SINGLE HANDLE



- Swing style
- Pot filler
- Cold water only
- Chrome plated brass
- Twin Seal tubular spout
- 18" Overall length

HANDLE - BLADE STYLE



- 20 Spline
- Hot / Cold
- Sold by the pair

PART# DESCRIPTION

33112	1/2" MPT inlet, Spout - 18"
--------------	-----------------------------

PART# SIZE

33104	4" Hot / Cold
33103	6" Hot / Cold

LEVER AND TWIST COMMERCIAL SINK DRAIN

DRAIN - LEVER HANDLE WITHOUT OVERFLOW



- Sink opening: 3-1/2"
- Utilize a 4-1/2" strainer flange
- Nickel plated brass body
- Stainless steel handle
- Stainless steel strainer
- Nickel plated bradd stopper
- Replaces FRANKLIN, KLEIN, CHICAGO FAUCET, T&S

PART#	DRAIN CONNECTION
33122	1-1/2"
33123	2"

DRAIN - LEVER HANDLE W/ 1-1/4" OVERFLOW OUTLET



- Sink opening: 3-1/2"
- Utilize a 4-1/2" strainer flange
- Nickel plated brass body
- Stainless steel handle
- Stainless steel strainer
- Nickel plated bradd stopper
- Replaces FRANKLIN, KLEIN, CHICAGO FAUCET, T&S

PART#	DRAIN CONNECTION
33131	1-1/2"
33125	2"

DRAIN - TWIST LEVER HANDLE WITHOUT OVERFLOW



- Sink opening: 3-1/2"
- Utilize a 4-1/2" strainer flange
- Nickel plated brass body
- Stainless steel handle
- Stainless steel strainer
- Nickel plated bradd stopper
- Replaces FRANKLIN, KLEIN, CHICAGO FAUCET, T&S

PART#	DRAIN CONNECTION
33126	1-1/2"
33127	2"

Drain - Twist Lever Handle w/ 1-1/4" Overflow Outlet



- Sink opening: 3-1/2"
- Utilize a 4-1/2" strainer flange
- Nickel plated brass body
- Stainless steel handle
- Stainless steel strainer
- Nickel plated bradd stopper
- Replaces FRANKLIN, KLEIN, CHICAGO FAUCET, T&S

PART#	DRAIN CONNECTION
33145	1-1/2"
33146	2"

PARTS FOR LEVER AND TWIST DRAINS



- Handles and strainer are stainless steel. Drain body and stopper are nickel plated brass

PART	DESCRIPTION
33133	Lever Handle
33136	3-1/2" Strainer Flange
33138	3-1/2" Strainer
33139	Stopper with O-Ring
33140	Twist Handle
33143	2" x 1-1/2" Slip Joint Drain Reducer Bushing not pictured
33150	Lever Drain Washer Repair Kit

TRAP - CAST IRON STANDARD ADJUSTABLE



- Enamel white finish
- Chrome plated brass strainer
- Fits AMERICAN STANDARD, CRANE, ELJER, KOHLER, and other cast iron service sinks

PART#	DESCRIPTION
60002	2" IPS
60003	3" IPS
60014	CP Brass Strainer
60015	Base Plate

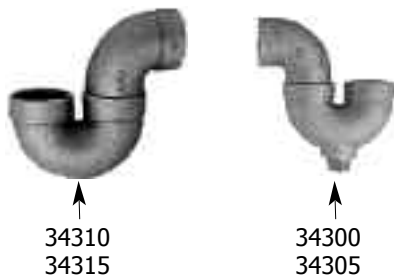
SINK OVERFLOW - COMMERCIAL



- Chrome plated brass
- 1-1/4" x 14" x 18" Tube
- 1-1/4" Satin chrome plated elbow
- Stainless steel overflow strainer & screw

PART#	DESCRIPTION
33141	Strainer with 1-1/4" elbow
33142	1-1/4" x 14" x 18" brass overflow elbow for slip joint connection
33144	Strainer only
33147	Complete unit as shown

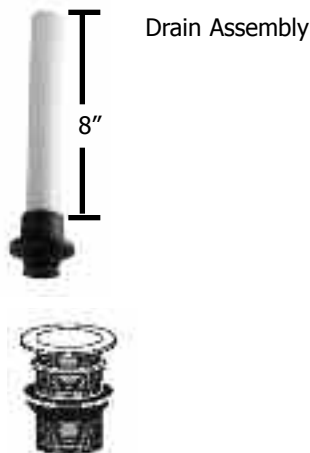
P-TRAPS - BRASS



- LynCar's P-Traps in cast brass.
- Available in 1-1/2" or 2" sweat connections.
- With or without cleanout.

PART#	DESCRIPTION
34300	Brass Trap WITH Cleanout 1-1/2"
34305	Brass Trap WITH Cleanout 2"
34310	Brass Trap LESS Cleanout 1-1/2"
34315	Brass Trap LESS Cleanout 2"

SINK STAND PIPES



- For bars, restaurants and laboratories
- Easy to install!
- Simply insert into drain and walk away!
- Chemical resistant
- Plastic tube is easy to adjust - simply cut with ordinary tools
- Standard chemical resistant poly-stainless
- A co-polymer alloy for stainless steel sinks, bars, and restaurants.
- High chemical resistant model for laboratories is available, please call

PART#	DESCRIPTION
33620	1" Stand Pipe Assembly
33621	1-1/2" Stand Pipe Assembly
33622	1" Poly Stainless Drain Assembly
33623	1-1/2" Poly Stainless Drain Assembly

COMMERCIAL EXPOSED SHOWER



- Economical, yet ruggedly constructed for outdoor installations.
- DECK - PATIO - POOL
- Wall mount
- Chrome Plated Brass
- 7" to 9-1/2" wall adjustment
- Adjustable low flow showerhead
- 6" Adjustable Wall Bracket
- Cross Handles
- 24" Riser
- 1/2" IPS Female Inlets

PART#	DESCRIPTION
67252	7" to 9-1/2" wall adjustment

SELF CLOSING VALVES

VALVE - SELF CLOSING SHOWER



- Chrome plated brass
- 10" pull chain
- Connect from water supply to showerhead
- Indoor or outdoor use
- Approximately 2-1/2" x 3-3/4"

VALVE - SELF CLOSING STOP



- Chrome plated brass
- Cross handle
- Spring loaded for fast close
- Use on: outdoor showers
foot washing stations
urinals

PART#	DESCRIPTION
2193	1/2" FIP inlet and outlet

PART#	DESCRIPTION
2192	1/2" FIP x 1/2" FIP

FAUCET - SELF CLOSING



- Chrome plated brass
- 1/2" IPS Shank
- Low flow aerator
- Complete with locknut and rosette

SELF - CLOSING LAVATORY FAUCETS HEAVY DUTY



- Lever handle
- Low flow aerator
- Vandal proof cap and aerator
- Chrome plated brass
- 1/2" IPS shank
- Complete with locknut and rosette

PART#	DESCRIPTION
2191	Faucet self closing

PART#	DESCRIPTION
21932	Heavy Duty / Self closing

SELF - CLOSING WALL FAUCETS - HEAVY DUTY



- Lever handle
- Vandal proof cap
- No aerator
- Chrome plated brass

FAUCET - QUARTER TURN LAVATORY



- PLUMBERS QUALITY
- Chrome plated brass
- Low flow aerator
- Hot or cold cross handle
- 1/2" IPS shank
- Complete with locknut and rosette
- Not self closing

PART#	DESCRIPTION
21937	1/2" FIP inlet

PART#	DESCRIPTION
21805	Hot handle
21806	Cold handle

GLASS FILLER - WALL MOUNT



12003 With flange 3-3/4" centre of spout to wall



12050 No flange 3-1/2" centre of spout to wall



- Chrome plated brass
- Volume control screw
- Instant shut-off
- Cushioned chrome plated brass push arm

GLASS FILLER - DECK MOUNT PEDESTAL



12100



12150



12200

- Chrome plated brass
- Volume control screw
- Instant shut-off
- Cushioned chrome plated brass push arm
- Base of flange to spout is 8"

PART#	DESCRIPTION
12003	3/8" IPS Female inlet
12050	3/8" IPS Male inlet
12020	3/8" x 2-1/4" IPS Male inlet
12002	Blue lexan push back arm
12004	Cushioned CP brass push back arm

PART#	DESCRIPTION
12100	1/2" x 2" IPS Male inlet
12200	3/8" IPS Female inlet
12150	1/2" x 2" IPS Male inlet

PUSH BUTTON FAUCET

FAUCET - PUSH BUTTON SELF CLOSING



- Chrome plated brass
- Low flow aerator
- Complete with locknut and rosette
- Non-Adjustable slow close
- Closes in approximately 6 seconds at 60 PSI
- Economical

VALVE - PUSH BUTTON SELF CLOSING 90°



- 1/2" FIP inlet and outlet valve only, no nipples
- PLEASE NOTE:
- Use either part #993 flush tube or #984 nut and fine thread flush tube to adapt the above valves into flush valves.

PART#	DESCRIPTION
21803	1/2" IPS shank

PART#	DESCRIPTION
21810	Chrome plated brass

FAUCET - PUSH BUTTON SELF CLOSING LAVATORY



- PLUMBERS QUALITY
- Chrome plated brass
 - Low flow aerator
 - 1/2" IPS shank
 - Complete with locknut and rosette
 - With regulated slow close timing screw

VALVE - PUSH BUTTON SELF CLOSING 180°



- Chrome plated brass
 - 0-20 second adjustment 2.75 GPM
- PLEASE NOTE:
- Use either part #993 flush tube or #984 nut and fine thread flush tube to adapt the above valves into flush valves

PART#	DESCRIPTION
21800	Plumbers quality

PART#	DESCRIPTION
21830	1/2" FIP inlet and outlet valve ONLY, no nipples

URINAL PARTS

URINAL LARGE - STRAINERS CAULK TO 2" DWV



- For wall to floor urinals
- Flat or beehive
- Stainless steel strainer
- Brass body
- Strainer screw holes on 3-5/16" centres
- 4-3/8" across flange

URINAL - FLUSH TUBES



- 3/4" OD CP brass

PART#	DESCRIPTION	PART#	LENGTH	DESCRIPTION
970	Flat strainer complete	986	6-1/2"	Fine Thread - One End
971	Beehive strainer complete	989	15"	Fine Thread - One End
972	Flat grill with screws	993	6-1/2"	1/2" MPT - One End
973	Beehive grill with screws	997	8"	NO Threads - Both Ends

URINAL - COUPLING NUT FOR FLUSH TUBES



- Chrome plated Brass

URINAL - SPUD NUT & ESCUTCHEON



PART#	DESCRIPTION	PART#	LENGTH
984	3/4" Fine thread X 1/2" MPT	980	3/4" IPS Spud nut & washer
		981	Escutcheon
		982	Spud nut, Escutcheon & washer

URINAL - OUTLET SPUD - BRASS

IPS or Sweat Connection



- With studs, washers and nuts and # 2096 sponge type gasket

PART#	DRAIN CONNECTION	URINAL TYPE	BOLT HOLE CENTERS
94700	2" IPS	CRANE	5-1/2"
94701	2" Sweat	CRANE	5-1/2"
94702	2" IPS	CRANE Hex Bolts	5-1/2"
94704	2" IPS	ELJER	4-1/2"
94705	2" Sweat	AM/STD & ELJER	4-1/2"
94706	2" IPS	AM/STD	4"

URINAL - AND CLOSET SPUDS



PART#	TYPE	SIZE	LOCKNUT	WASHER
956	Closet	2"	Brass	2085
957	Closet	2" x 1-1/2"	Brass	2086
958	Closet	2" x 1-1/4"	Brass	2087
959	Closet	1-1/2"	Brass	2088
960	Closet	1-1/4"	Brass	2089
961	Urinal	1" x 3/4"	Brass	2090
962	Urinal	1-1/4" x 3/4"	Brass	2089
963	Closet	1-1/2"x 1-1/4"	Brass	2088

URINAL STRAINER



- Top quality stainless steel with mounting hardware
- Photo shown is part# 969

PART#	DESCRIPTION
969	AMERICAN STANDARD
968	CRANE

URINAL SCREEN WITH DEODORIZING BLOCK



- A disposable vinyl urinal screen which prevents foreign objects like chewing gum, matches and cigarette butts from being flushed down the urinal drain.
- The deodorizing block releases a pleasant fragrance with each flush and also releases a caustic which attacks clogging urinal salts.

PART#	DESCRIPTION
967	Urinal screen with deodorizing block

URINAL FLANGE KIT PVC 2" ADJUSTABLE



- PVC Plastic
- Complete with gasket
- Hub / Inside / Spigot versions

PART#	SIZE
975	Adjustable hub flange
976	Adjustable inside fit
977	Adjustable spigot style

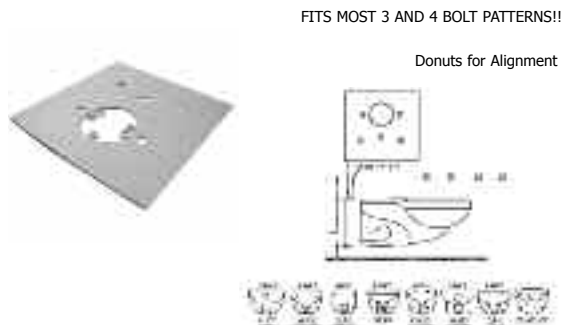
WALL HUNG CLOSET AND URINAL GASKET KIT



- Works With All Manufacturers
- Kit Includes:
- Chemical Resistant Sponge Gasket
- Alignment Ring
- Adhesive Tape

PART#	DESCRIPTION
2062	Closet Gasket
2064	Urinal Gasket

Wall Hung Toilet Stabilizer Seal Gasket

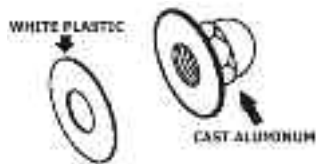


Works with toilets – 1.6 GPF thru 4.5 GPF

- TP rubber construction
- Creates a total seal
- Self forming material
- Eliminates wobbles and Rocking
- Trim with ordinary Razor blade knife
- Greatly reduces risk of Cracked bowls
- Protects the wall & ceilings
- Below from water damage
- Protects against cracked mounting
- Available in Standard White
- Custom colours upon request

PART#	DESCRIPTION
1009	Wall hung toilet

CARRIER NUTS & WASHERS



STANDARD



EXTENDED

- For wall hung toilets and urinals
- Four sets of hardware per bag

PART#	DESCRIPTION
33128	Standard, 4 per bag
33217	Extended, 4 per bag

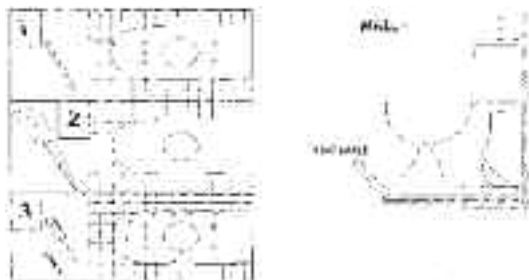
TOILET FLOOR GASKET



- Works with all toilets 1.6 to 4.5 GPF
- Round & Elongated Bowls
- Square and Round Fronts
- STD & To the Wall Installations
- 100% rubber construction creates a total seal
- 31" x 13" x 1/4"

PART#	DESCRIPTION
1011	Commercial Toilet Stabilizer Seal Pad

TOILET FLOOR REPLACEMENT



- Floor Stabilizer Plate - White
- Works with all toilets 1.6 to 4.5 GPF
- Round & elongated bowls
- Square and round fronts
- Even commercial to the wall installations
- 10" to 14" set back
- Reinforced Poly Steel Construction
- Permanent & Waterproof

PART#	DESCRIPTION
1010	Quickly rebuild weak floors

DRINKING FOUNTAINS

DRINKING FOUNTAIN - RETRO - FIT KIT PUSH BUTTON

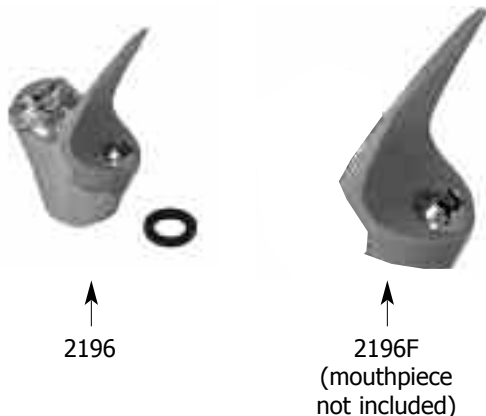


KIT CONTAINS:

- # 2194 Chrome plated brass bubbler head with stainless steel cartridge
- 1/2" x 3/8" x 3-1/2" nipple
- Polished stainless steel flange
- Rosette, locknut & coupling nut
- 1-3/4" cockhole cover

PART#	DESCRIPTION
2197	Retro-Fit Kit

BUBBLER WITH "FLEX FLANGE"



- Stainless steel cartridge
- LynCar Bubbler with rubber "Flex" Flange to protect teeth and mouth
- Grey rubber front
- Easy to replace when required

PART#	DESCRIPTION
2196	Bubbler - with "Flex" Flange
2196F	Rubber Replacement - Plastic Safety Front Flange
2198	Retrofit unit - Accessory package for Bubbler

DRINKING FOUNTAIN - PUSH BUTTON



- 3/8" FIP
- Chrome plated brass
- Stainless steel cartridge
- Replaces HAWS HW5010

PART#	DESCRIPTION
2194	Drinking fountain Bubbler with lead free cartridge

ACCESSORY PACKAGE FOR BUBBLER



- Parts only to change old style bubbler to push button
- Includes:
- 1/2" x 3/8" x 3-1/2" brass nipple
- Stainless steel flange
- Cockhole cover 1-3/4"
- Rosette, locknut & coupling nut

PART#	DESCRIPTION
2198	Accessory package for Bubbler

REPLACEMENT CARTRIDGE FOR BUBBLER



- Stainless steel replacement cartridge
- Fits 2197, 2196, 2194

PART#	DESCRIPTION
2195	Replacement cartridges

REPLACEMENT BUBBLER PARTS



2194-1



2194-2



2194-3



2194M



2187
2188

PART#	DESCRIPTION
2194-1	Chrome collar for button
2194-2	Chrome push button
2194-3	Cartridge retention bushing
2194M	Mouthpiece set
2196F	Rubber Flange Replacement for 2196
2187	Nipple 1/2 x 3/8 x 3-1/2
2188	Long nipple 1/2 x 3/8 x 4-1/2

VALVE - REMOTE PUSH BUTTON



- Superior quality
- Chrome plated brass button and escutcheon
- 1/4" FIP
- Lead-free cartridge

PART#	DESCRIPTION
2179	Remote push button

FOUNTAIN 2-IN-1 WRENCH



- Tightens or loosens cartridge retaining bushing
- Prevents bushing thread damage which causes leaks

PART#	DESCRIPTION
7047	Fountain 2-in-1 wrench

DRINKING FOUNTAIN - SELF CLOSING



- 1/2" FIP
- Chrome plated brass
- Flow regulator screw
- Cross handle
- Precision ball bearing action

PART#	DESCRIPTION
2190	Drinking fountain, FIP 1/2" connection
2190-05	Handle cap nut
2190-13	Regulator screw cap nut
2190RK	Repair kit

FLUSH VALVE PARTS

CRANE FLUSH VALVE HANDLE



- For Flushboy Rex
- With Operating Stem
- OEM R333A

PART#

32900

CRANE FLUSH VALVE



- Operating stem only
- 1-15/16" long
- For FLUSHBOY REX

PART#

32902

REPAIR KITS FOR FLUSH VALVE CLOSET



- Fit CRANE OEM # 39002
- Also fits Presto/Rex
- Includes Diaphragm,
- Vacuum Breaker Insert
- Rubber Flexer,
- Operator Stem

PART#

32904

REPAIR KITS FOR FLUSH VALVE URINAL



- Fit Crane OEM # 39003
- Also fits PRESTO/REX
- Includes Diaphragm,
- Vacuum Breaker Insert
- Rubber Flexer,
- Operator Stem

PART#

32906

FLUSH VALVE PARTS

SLOAN FLUSH VALVE HANDLE



Also Fits ZURN C. P METAL FOR ROYAL, REGAL, and CROWN Closet or Urinal Valves OEM Ref B32A

SLOAN FLUSH VALVE HANDLE



Repair Kit For ROYAL, REGAL, AND CROWN Closet or Urinal Valves OEM Ref B50A

PART#	DESCRIPTION	PART#	DESCRIPTION
32920	Sloan Flush Valve Handle	32922	Sloan Flush Valve Handle

SLOAN COMPLETE FLUSH VALVE REBUILD KIT



Diaphragm, Guide, Disc etc. OEM Ref A1041A Uses a A156A Diaphragm New SLOAN 3pc style Includes Self Cleaning by pass valve

SLOAN PLASTIC FLUSH VALVE GUIDE



For ROYAL, REGAL, AND CROWN Closet or Urinal Valves OEM Ref A163A

PART#	DESCRIPTION	PART#	DESCRIPTION
32930	1.6 GPM for toilet	32926	Sloan Plastic Flush Valve Guide

SLOAN FLUSH VALVE DISC.



For ROYAL, & REGAL, Closet or Urinal Valves 2" Diameter OEM Ref A15A Also fits ZURN

SLOAN DIAPHRAGM



For ROYAL, & REGAL Closet or Urinal Valves 3 1/4" Diameter OEM Ref A156A Also fits ZURN

PART#	DESCRIPTION	PART#	DESCRIPTION
2068	Sloan Flush Valve Disc.	2069	Sloan Diaphragm

FLUSH VALVE REDUCER



Sloan flush valve Fits SLOAN, ZURN and others REF OEM Z6600B

SLOAN COMPLETE FLUSH VALVE REBUILD KIT



Relief valve Disc Diaphragm Body guide Original SLOAN style

PART#	DESCRIPTION	PART#	SLOAN PART#	FOR
21842	Flush Valve Reducer	21843	A42A	1gpm urinal
		21844	A37A	1.5gpm urinal
		21846	A36A	4.5gpm urinal
		21847	A38A	3.5gpm toilet & urinal
		21848	A41-A	1.66gpm toilet

ZURN AQUAFLUSH REPAIR KIT



- For Closet & Urinal
- OEM Ref Z6000
- Combo Kit

PART#	DESCRIPTION
32932	Zurn Aquaflush Repair Kit

ZURN AQUAFLUSH REBUILD KIT



- For Closet & Urinal
- Same as 32932 but adds
- Vacuum Breaker, Handle Repair Kit and O Ring

PART#	DESCRIPTION
32934	Zurn Aquaflush Rebuild Kit

FLUSH VALVE REBUILD KIT



- Fits most ROYAL, REGAL, SLOAN ZURN models
- OEM REF A-1002-A
- Includes inside parts, Vacuum breaker, Handle seal kit Shut off cup, Tailpiece, O-Ring, GPF Reducers

PART#	DESCRIPTION
21838	Flush Valve Rebuild Kit