



REPAIR PARTS

GCVC 96% Two Stage Variable Speed CF Furnace

GCVC960403BNBA
GCVC960403BNBB
GCVC960603BNBA
GCVC960603BNBB
GCVC960804CNBA
GCVC960804CNBB
GCVC961005CNBA
GCVC961005CNBB
GCVC961205DNBA
GCVC961205DNBB



This manual is to be used by qualified technicians only.

This manual replaces RP-G2311A.

© 2018 , 2021 Goodman Manufacturing Company, L.P. ♦ 5151 San Felipe St, Suite 500 ♦ Houston, TX 77056

Important Information

Index

Functional Parts List	3
Illustration and Parts	4 - 11

Views shown are for parts illustrations only, not servicing procedures

Text Codes:

AR - As Required

NA - Not Available

NS - Not Shown

00000000 - See Note

QTY - Quantity Example (QTY 3) (If Quantity not shown, Quantity = 1)

M - Model Example (M1) (If M Code not shown, then part is used on all Models)

Expanded Model Nomenclature:

Example M1 - Model#1 M2 - Model#2 M3 - Model#3

Goodman Manufacturing Company, L.P. is not responsible for personal injury or property damage resulting from improper service. Review all service information before beginning repairs.

Warranty service must be performed by an authorized technician, using authorized factory parts. If service is required after the warranty expires, Goodman Manufacturing Company, L.P. also recommends contacting an authorized technician and using authorized factory parts.

Goodman Manufacturing Company, L.P. reserves the right to discontinue, or change at any time, specifications or designs without notice or without incurring obligations.

For assistance within the U.S.A. contact:
Homeowner Support
Goodman Manufacturing Company, L.P.
19001 Kermier Road
Waller, Texas 77484
877-254-4729-Telephone
713-863-2382-Facsimile

For assistance outside the U.S.A. contact:
International Division
Goodman Manufacturing Company, L.P.
19001 Kermier Road
Waller, Texas 77484
713-861-2500-Telephone
713-863-2382-Facsimile

Functional Parts

Part No: **Description:**

20162904	*PRIMARY LIMIT-TEMPERATURE CONTROL (M5, M6) *Refer to service bulletin SF-054
SHARED DATA	Available thru CoolCloud HVAC app.
0163F00017	BECKETT BURNER (QTY 2)
0271F00161	BLOWER SHELL & WHEEL ASSY (M5, M6, M7, M8)
0271F00163	BLOWER SHELL & WHEEL ASSY (M9, M10)
0271F00159	BLOWER SHELL & WHEEL ASSY (M3, M4)
0271F00181	BLWR SCROLL 10X8 (M1, M2)
0130F00010	FLAME SENSOR
0151M00027	GAS VALVE
0257F00358	HEAT EXCHANGER ASSY (M3, M4)
0257F00360	HEAT EXCHANGER ASSY (M7, M8)
0257F00359	HEAT EXCHANGER ASSY (M5, M6)
0257F00310	HEAT EXCHANGER ASSY. (M1, M2)
0257F00300	HEAT EXCHANGER ASSY. (M9, M10)
0130F00008	IGNITOR-SINI 17 SEC
0130M00141	INDUCTOR, 5.9 AMPS (M5, M6, M7, M8, M9, M10)
0130M00243	INTERLOCK SWITCH
10123527	MANUAL RESET LIMIT (M9, M10)
0130F00123	MANUAL RESET LIMIT (M5, M6, M7, M8)
10123538	MANUAL RESET LIMIT-TAN (M3, M4)
10123533	MANUAL RESET LIMIT-YELLOW (M1, M2)
0131M00272	MOTOR, 1 HP, SERIAL ECM (M7, M8, M9, M10)
0131M00270	MOTOR, 1/2 HP, SERIAL ECM (M1, M2, M3, M4)
0131M00271	MOTOR, 3/4 HP, SERIAL ECM (M5, M6)
0171M00002	MOTOR-ID, BLOWER
PCBKF107	PCB, CONTROL BOARD (M1, M3, M5, M7, M9)
PCBKF109	PCB, CONTROL BOARD (M2, M4, M6, M8, M10)
0130F00436	PRESSURE SWITCH (M5, M6)
0130F00485	PRESSURE SWITCH (M1, M2)
0130F00429	PRESSURE SWITCH (M3, M4, M5, M6, M7, M8, M9, M10)
0130F00433	PRESSURE SWITCH (M1, M2)
0130F00435	PRESSURE SWITCH (M3, M4)
0130F00434	PRESSURE SWITCH (M7, M8)
0130F00443	PRESSURE SWITCH (M9, M10)
0130F00038	PRIMARY LIMIT - LT BLUE 120° (QTY 2)
0130F00036	PRIMARY LIMIT - PINK 180° (M9, M10)
0130F00035	PRIMARY LIMIT - PURPLE 220° (M3, M4)
20162906	PRIMARY LIMIT - WHITE (M1, M2, M7, M8)
0130M00140	TRANSFORMER,(120V TO 24V,40VA,
0150M00043	WHEEL, BLOWER (10 X 8) (M1, M2)

Expanded Model Nomenclature

M1 - GCVC960403BNBA
M2 - GCVC960403BNBB
M3 - GCVC960603BNBA
M4 - GCVC960603BNBB
M5 - GCVC960804CNBA
M6 - GCVC960804CNBB
M7 - GCVC961005CNBA
M8 - GCVC961005CNBB
M9 - GCVC961205DNBA
M10 - GCVC961205DNBB

SPECIAL PARTS

0161F00086	NAMEPLATE, GOODMAN
------------	--------------------

Cabinet Assembly

IMAGE 1

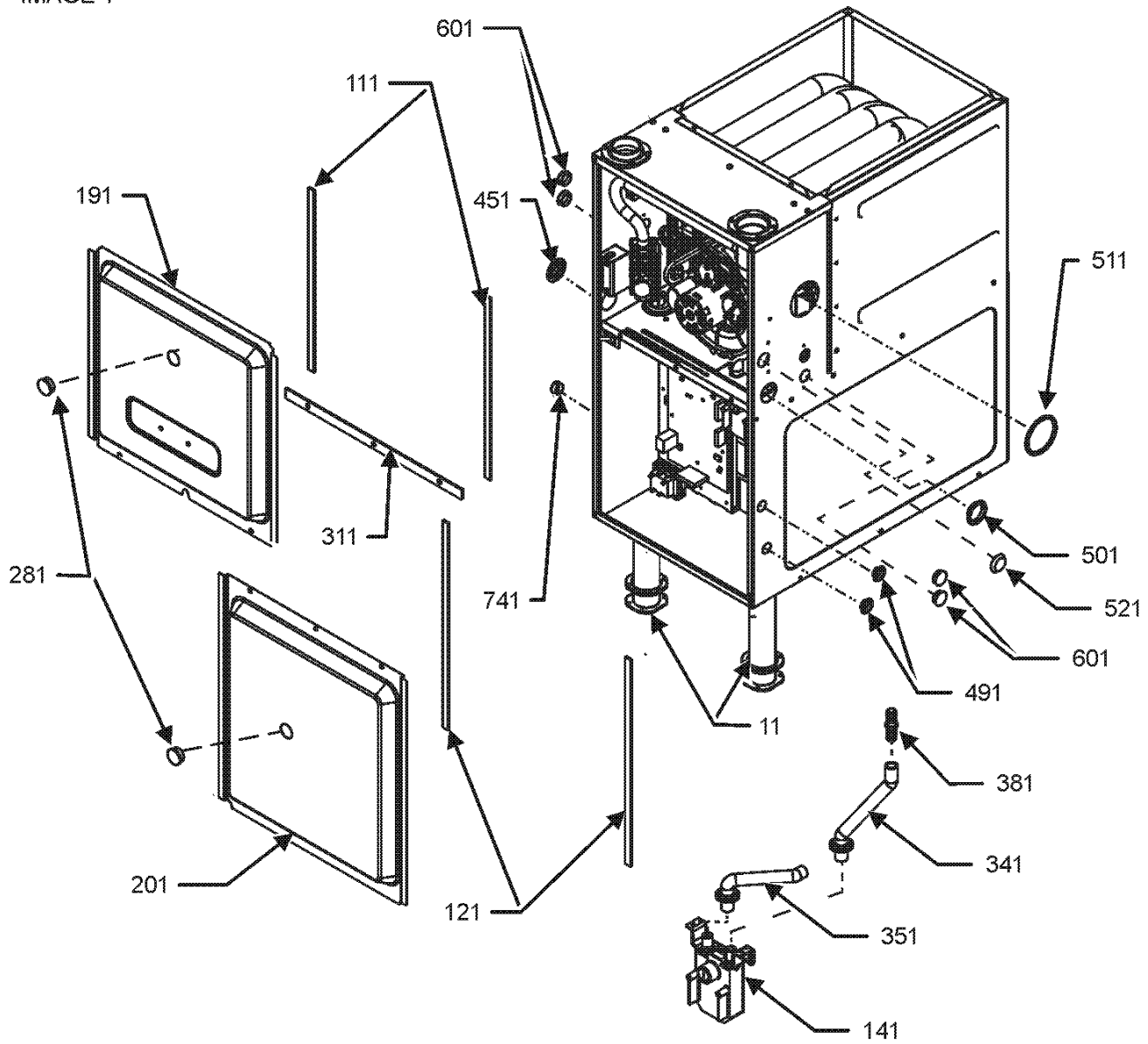
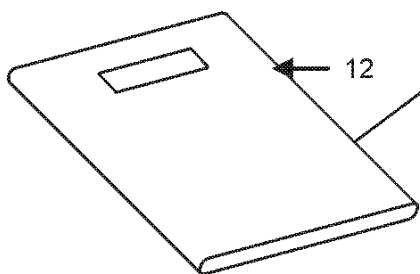
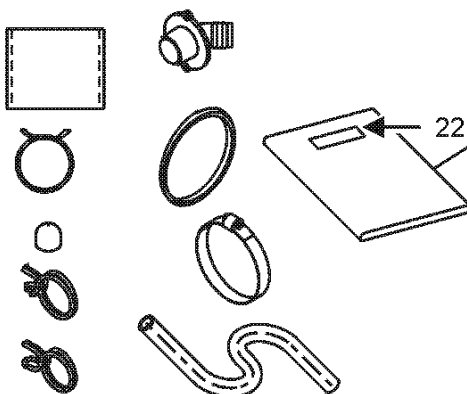


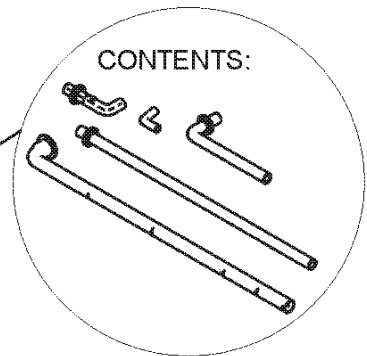
IMAGE 2



CONTENTS:



CONTENTS:



Cabinet Assembly

Ref. Part No:	Part No:	Description:	Ref. Part No:	Part No:	Description:
---------------	----------	--------------	---------------	----------	--------------

Image 1:

11	0161F00064	PIPE, STRAIGHT CF (QTY 2)
111	0154F00024	GASKET (QTY 2)
121	0154F00025	GASKET (QTY 2)
141	0161F00046	DRAIN TRAP
191	0121F00291DG	DOOR, ACCESS 17.5 PNT (M1, M2, M3, M4)
191	0121F00292DG	DOOR, ACCESS 21 PNT (M5, M6, M7, M8)
191	0121F00293DG	DOOR, ACCESS 24.5 PNT (M9, M10)
201	0121F00288DG	DOOR, BLOWER 17.5 PNT (M1, M2, M3, M4)
201	0121F00289DG	DOOR, BLOWER 21 PNT (M5, M6, M7, M8)
201	0121F00290DG	DOOR, BLOWER 24.5 PNT (M9, M10)
281	B1392139	VIEW PORT BUSHING-BLOWER DOOR (QTY 2)
311	0154F00020	GASKET, DECK (M1, M2, M3, M4)
311	0154F00021	GASKET, DECK (M5, M6, M7, M8)
311	0154F00022	GASKET, DECK (M9, M10)
341	0270F03514	CF DRAIN TUBE ASSY (M1, M2, M3, M4)
341	0270F03515	CF DRAIN TUBE ASSY (M5, M6, M7, M8)
341	0270F03516	CF DRAIN TUBE ASSY (M9, M10)
351	0270F03125	CF DRAIN TUBE ASSY (M1, M2, M3, M4)
351	0270F03126	CF DRAIN TUBE ASSY (M5, M6, M7, M8)
351	0270F03127	CF DRAIN TUBE ASSY (M9, M10)
381	0161F00047	COUPLING, HOSE BARBED
451	M0501301	PIPE GROMMET
491	M0570808	BUTTON PLUG
501	M0570806	BUTTON PLUG
511	M0570807	BUTTON PLUG
521	0161M00027	PLUG, HOLE
601	B1392021	PLASTIC PLUG, 1" (2713-BLK) (QTY 4)
741	B1392104	UNIVERSAL BUSHING UB 875
NS	M0310345	BUTTON PLUG (QTY 2)
NS	0163M00319	HEX NUT-INSERT (QTY 3)
NS	0161F00086	NAMEPLATE, GOODMAN
NS	M0273904	RETAINER SCREW (QTY 3)
NS	M0209730	SCREW-DECORATIVE (QTY 3)

Image 2:

12	0270F05249	DRAIN KIT ASSY
22	0270F05249	DRAIN KIT ASSY

Expanded Model Nomenclature

M1 - GCV C960403BNBA
M2 - GCV C960403BNBB
M3 - GCV C960603BNBA
M4 - GCV C960603BNBB
M5 - GCV C960804CNBA
M6 - GCV C960804CNBB
M7 - GCV C961005CNBA
M8 - GCV C961005CNBB
M9 - GCV C961205DNBA
M10 - GCV C961205DNBB

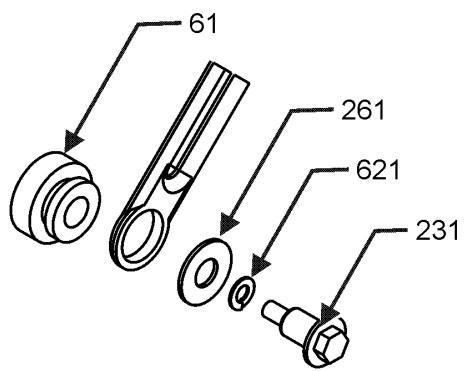
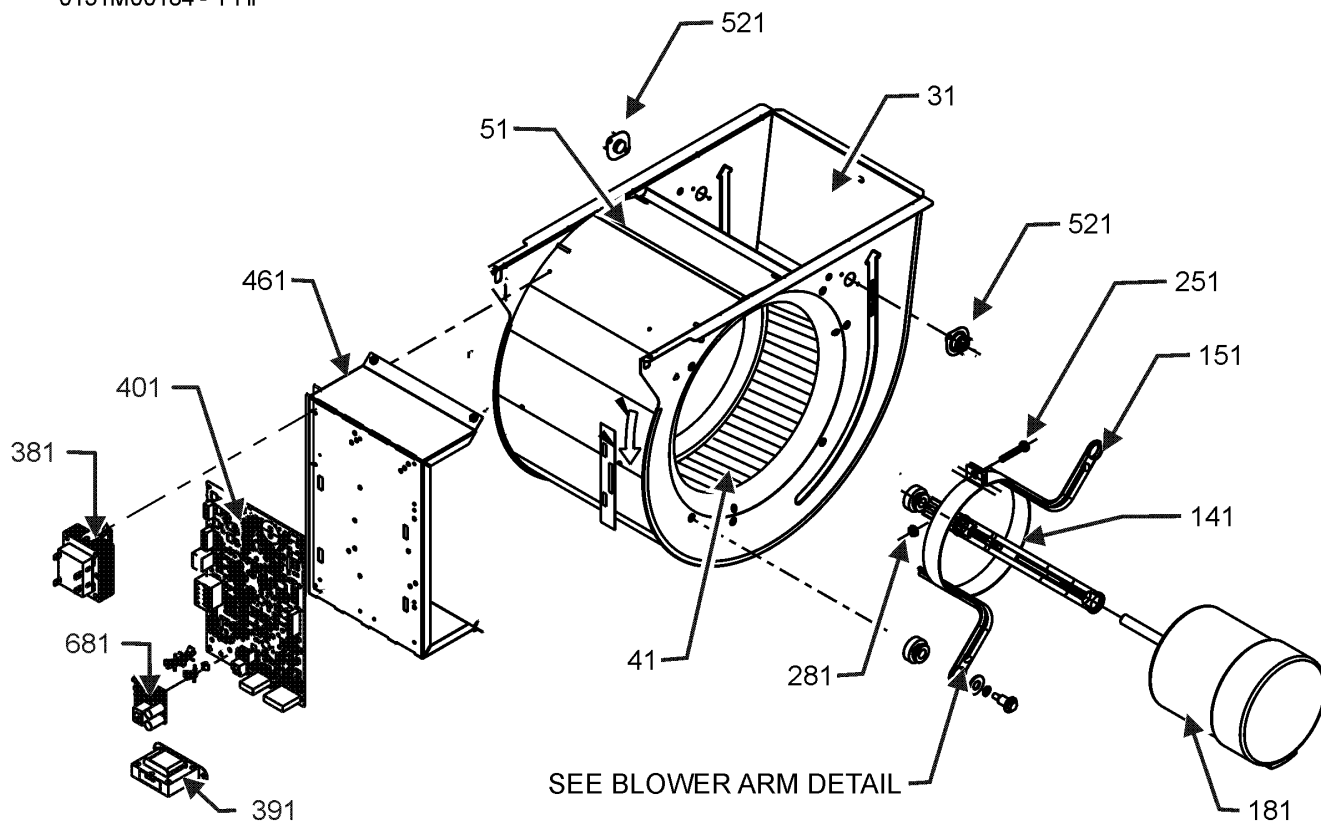
Blower Assembly

*If end bells are needed please order the following:

0131M00182 - 1/2 HP

0131M00183 - 3/4 HP

0131M00184 - 1 HP

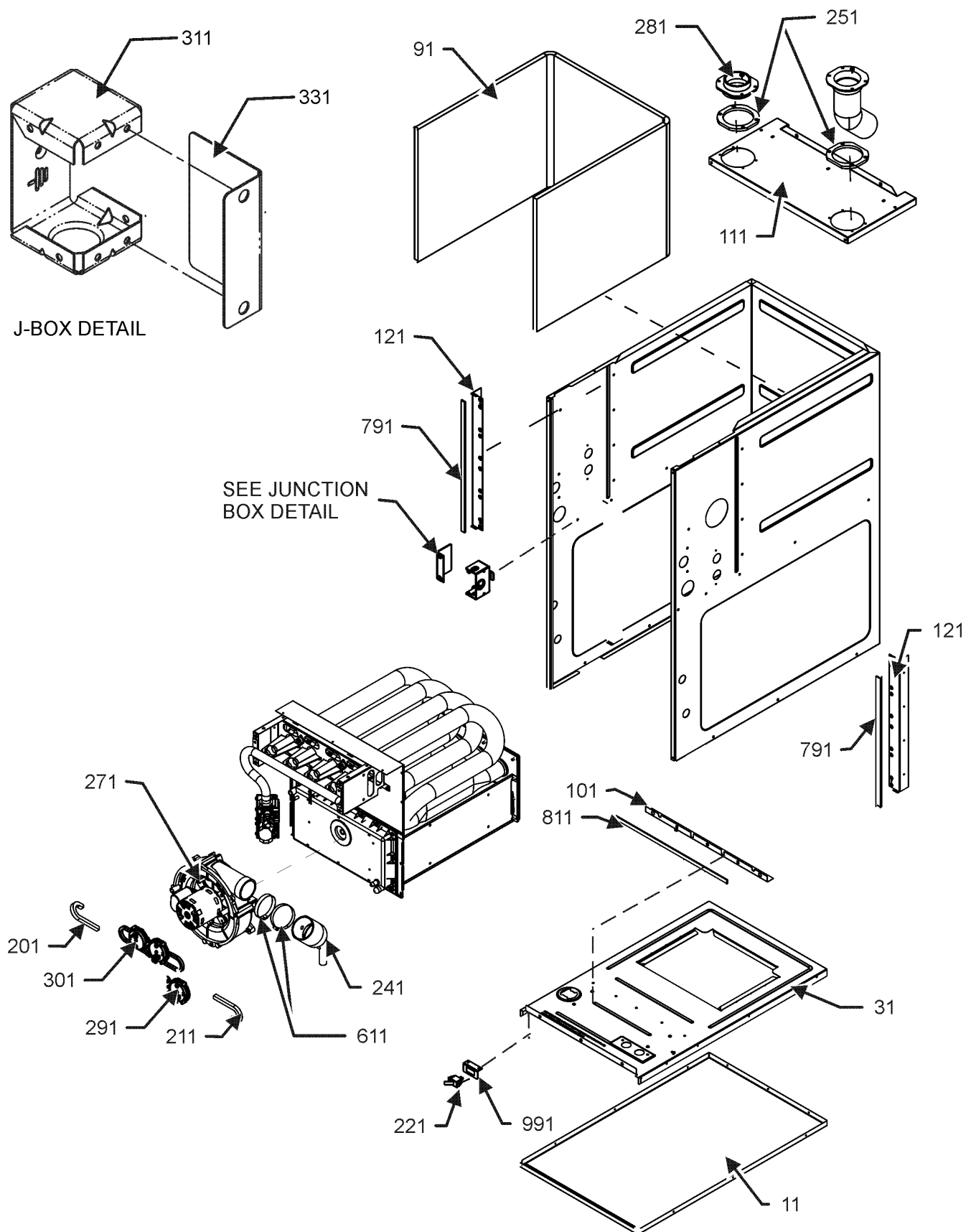


BLOWER ARM DETAIL

Blower Assembly

Ref. Part No:	No:	Description:	Ref. Part No:	No:	Description:
Image 1:			Expanded Model Nomenclature		
31	0271F00159	BLOWER SHELL & WHEEL ASSY (M3, M4)	M1	-	GVC C960403BNBA
31	0271F00161	BLOWER SHELL & WHEEL ASSY (M5, M6, M7, M8)	M2	-	GVC C960403BNBB
31	0271F00163	BLOWER SHELL & WHEEL ASSY (M9, M10)	M3	-	GVC C960603BNBA
31	0271F00181	BLWR SCROLL 10X8 (M1, M2)	M4	-	GVC C960603BNBB
41	0150M00043	WHEEL, BLOWER (10 X 8) (M1, M2)	M5	-	GVC C960804CNBA
51	764740	BLWR BLK-OFF ,10X8 (M1, M2)	M6	-	GVC C960804CNBB
61	A4002702	BLOWER MOTOR GROMMET (M5, M6, M7, M8, M9, M10)	M7	-	GVC C961005CNBA
141	0121M00038	MOTOR MOUNT BAND (M1, M2, M3, M4)	M8	-	GVC C961005CNBB
141	10441601	MOTOR MOUNT BAND (M5, M6, M7, M8, M9, M10)	M9	-	GVC C961205DNBA
151	10441501	MOTOR MOUNT ARM (M5, M6, M7, M8, M9, M10)	M10	-	GVC C961205DNBB
151	B1376857	MOTOR MOUNT ARM (M1, M2, M3, M4)			
181	0131M00272	MOTOR, 1 HP, SERIAL ECM (M7, M8, M9, M10)	*If end bells are needed please order the follow ing:		
181	0131M00270	MOTOR, 1/2 HP, SERIAL ECM (M1, M2, M3, M4)	0131M00182 - 1/2 HP		
181	0131M00271	MOTOR, 3/4 HP, SERIAL ECM (M5, M6)	0131M00183 - 3/4 HP		
231	0163F00028	SCREW (M5, M6, M7, M8, M9, M10)	0131M00184 - 1 HP		
231	M0250565	TC SCREW 1.25" (M1, M2, M3, M4)			
251	M0267144	MACHINE SCREW (M5, M6, M7, M8, M9, M10)			
251	B1393323	MACHINE SCREW HWH 1/4-20 X 1-1/2 BZ (M1, M2, M3, M4)			
261	B1392918	WASHER, FLAT 1/4 ID X 1 OD (M1, M2, M3, M4)			
261	M0274008	WASHER-FLAT (M5, M6, M7, M8, M9, M10)			
281	M0282015	KEPS NUT (M5, M6, M7, M8, M9, M10)			
281	B1393800	LOCKNUT, NYLON, INSERT 1/4, 20 (M1, M2, M3, M4)			
381	0130M00140	TRANSFORMER ,(120V TO 24V,40VA,			
391	0130M00141	INDUCTOR, 5.9 AMPS (M5, M6, M7, M8, M9, M10)			
401	PCBKF107	PCB, CONTROL BOARD (M1, M3, M5, M7, M9)			
401	PCBKF109	PCB, CONTROL BOARD (M2, M4, M6, M8, M10)			
461	0121F00464	MOUNTING PLATE-CONTROLS			
521	0130F00038	PRIMARY LIMIT - LT BLUE 120° (QTY 2)			
621	B1392820	WASHER, SPLIT LOCK 1/4 BZ (M5, M6, M7, M8, M9, M10)			
681	PCBCM100	PCB CONTROL (M1, M3, M5, M7, M9)			
NS	SHARED DATA	Av ailable thru CoolCloud HVAC app.			
NS	0159F00083	CABLE, RJ12 (M1, M3, M5, M7, M9)			
NS	0259F00040	CONTROL HARNESS			
NS	B1392021	PLASTIC PLUG, 1" (2713-BLK) (QTY 4)			
NS	0259F00041	POWER HARNESS HIGH VOLTAGE (M1, M2, M3, M4, M5, M6, M7, M8)			
NS	0259F00024	WIRE HARNESS-BLOWER			

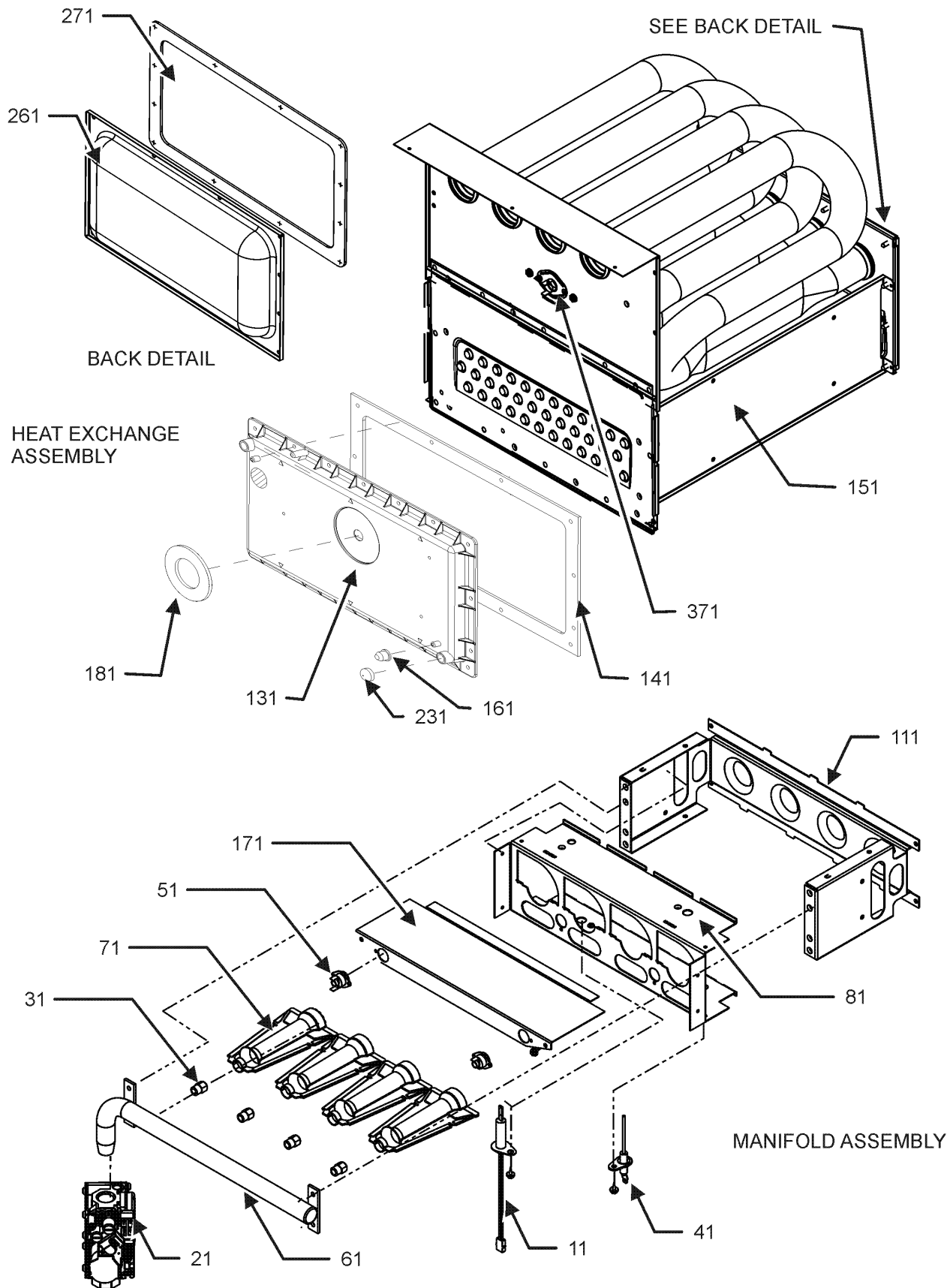
Chassis Assembly



Chassis Assembly

Ref. Part No:	Ref. Part No:	Description:	Description:
Image 1:		Expanded Model Nomenclature	
11	0121F00548DG	PAINTED BASEPAN, 17.5 CF (M1, M2, M3, M4)	M1 - GCV C960403BNBA
11	0121F00549DG	PAINTED BASEPAN, 21 CF (M5, M6, M7, M8)	M2 - GCV C960403BNBB
11	0121F00550DG	PAINTED BASEPAN, 24.5 CF (M9, M10)	M3 - GCV C960603BNBA
31	0121F00536	DECK-BLOWER 17.5" CF (M1, M2, M3, M4)	M4 - GCV C960603BNBB
31	0121F00537	DECK-BLOWER 21" CF (M5, M6, M7, M8)	M5 - GCV C960804CNBA
31	0121F00538	DECK-BLOWER 24.5" CF (M9, M10)	M6 - GCV C960804CNBB
91	0160F00015	INSULATION, HT EXCHANGER 17.5" (M1, M2, M3, M4)	M7 - GCV C961005CNBA
91	0160F00016	INSULATION, HT EXCHANGER 21" (M5, M6, M7, M8)	M8 - GCV C961005CNBB
91	0160F00017	INSULATION, HT EXCHANGER 24.5" (M9, M10)	M9 - GCV C961205DNBA
101	0121F00314	ANGLE, DECK (M1, M2, M3, M4)	M10 - GCV C961205DNBB
101	0121F00315	ANGLE, DECK (M5, M6, M7, M8)	
101	0121F00316	ANGLE, DECK (M9, M10)	
111	0121F00426DG	TOP, PAINTED FURNACE 17.5" CF (M1, M2, M3, M4)	
111	0121F00434DG	TOP, PAINTED FURNACE 21" CF (M5, M6, M7, M8)	
111	0121F00442DG	TOP, PAINTED FURNACE 24.5 CF (M9, M10)	
121	0121F00313	ANGLE, SIDE (QTY 2)	
201	0164M00019	HOSE-PRESSURE SW 6"	
211	0164M00008	HOSE-PRESSURE SW (M5, M6, M7, M8)	
211	0164M00015	PRESSURE SWITCH HOSE (M9, M10)	
221	0130M00243	INTERLOCK SWITCH	
241	0164F00003	ELBOW-FLUE, 17.5" CFLOW (M1, M2, M3, M4)	
241	0164F00004	ELBOW-FLUE, 21" CFLOW (M5, M6, M7, M8)	
241	0164F00005	ELBOW-FLUE, 24.5" CFLOW (M9, M10)	
251	0154F00041	FRESH AIR GASKET	
271	0171M00002	MOTOR-ID, BLOWER	
281	0161F00037	COUPLING	
291	0130F00429	PRESSURE SWITCH (M3, M4, M5, M6, M7, M8, M9, M10)	
291	0130F00485	PRESSURE SWITCH (M1, M2)	
301	0130F00433	PRESSURE SWITCH (M1, M2)	
301	0130F00434	PRESSURE SWITCH (M7, M8)	
301	0130F00435	PRESSURE SWITCH (M3, M4)	
301	0130F00436	PRESSURE SWITCH (M5, M6)	
301	0130F00443	PRESSURE SWITCH (M9, M10)	
311	0161F00042	JUNCTION BOX PLA	
331	0161F00043	JUNCTION BOX LID	
611	0163M00460	CLAMP HOSE (QTY 2)	
791	0154F00015	GASKET (QTY 2)	
811	0154F00014	GASKET (M1, M2, M3, M4)	
811	0154F00016	GASKET (M5, M6, M7, M8, M9, M10)	
811	20194607	GASKET (M9, M10)	
991	0121F00389	BRACKET, DOOR SWITCH	
NS	0259F00040	CONTROL HARNESS	
NS	M0326804	PLUG-TUBE	
NS	0259F00041	POWER HARNESS HIGH VOLTAGE (M1, M2, M3, M4, M5, M6, M7, M8)	
NS	0259F00024	WIRE HARNESS-BLOWER	

Heat Exchange Assembly



Heat Exchange Assembly

Ref. Part No:	Ref. Part No:	Description:	Description:
Image 1:		Image 1:	
11	0130F00008	IGNITOR-SINI 17 SEC	371 0130F00036 PRIMARY LIMIT - PINK 180° (M9, M10)
21	0151M00027	GAS VALVE	371 0130F00035 PRIMARY LIMIT - PURPLE 220° (M3, M4)
31	10716005	ORIFICE (QTY 2)	371 20162906 PRIMARY LIMIT - WHITE (M1, M2, M7, M8)
41	0130F00010	FLAME SENSOR	NS 0121F00583 INSULATION, RETAINER (M1, M2, M3, M4)
51	0130F00123	MANUAL RESET LIMIT (M5, M6, M7, M8)	NS 0121F00584 INSULATION, RETAINER (M5, M6, M7, M8)
51	10123527	MANUAL RESET LIMIT (M9, M10)	NS 0121F00585 INSULATION, RETAINER (M9, M10)
51	10123538	MANUAL RESET LIMIT-TAN (M3, M4)	NS 0121F00439 PRIMARY LIMIT-HEAT SHIELD
51	10123533	MANUAL RESET LIMIT-YELLOW (M1, M2)	NS 0121F00355 SHIELD, COIL (QTY 2)
61	0163F00007	MANIFOLD (M1, M2)	
61	0163F00008	MANIFOLD (M3, M4)	
61	0163F00009	MANIFOLD (M5, M6)	
61	0163F00010	MANIFOLD (M7, M8)	
61	0163F00011	MANIFOLD (M9, M10)	
71	0163F00017	BECKETT BURNER (QTY 2)	
81	0121F00456	BRACKET-BURNER 2 (M1, M2)	
81	0121F00455	BRACKET-BURNER 3 (M3, M4)	
81	0121F00454	BRACKET-BURNER 4 (M5, M6)	
81	0121F00453	BRACKET-BURNER 5 (M7, M8)	
81	0121F00451	BRACKET-BURNER 6 (M9, M10)	
111	0121F00469	ORIFICE BRACKET-BURNER 2 (M1, M2)	
111	0121F00468	ORIFICE BRACKET-BURNER 3 (M3, M4)	
111	0121F00467	ORIFICE BRACKET-BURNER 4 (M5, M6)	
111	0121F00466	ORIFICE BRACKET-BURNER 5 (M7, M8)	
111	0121F00465	ORIFICE BRACKET-BURNER 6 (M9, M10)	
131	0161F00015	COVER, FRONT (M1, M2)	
131	0161F00030	COVER, FRONT (M5, M6)	
131	0161F00054	COVER, FRONT (M3, M4)	
131	0161F00060	COVER, FRONT (M7, M8)	
131	0161F00070	COVER, FRONT (M9, M10)	
141	0154F00026	GASKET FRONT COVER (M1, M2, M3, M4)	
141	0154F00030	GASKET FRONT COVER (M5, M6, M7, M8)	
141	0154F00034	GASKET FRONT COVER (M9, M10)	
151	0257F00358	HEAT EXCHANGER ASSY (M3, M4)	
151	0257F00359	HEAT EXCHANGER ASSY (M5, M6)	
151	0257F00360	HEAT EXCHANGER ASSY (M7, M8)	
151	0257F00300	HEAT EXCHANGER ASSY. (M9, M10)	
151	0257F00310	HEAT EXCHANGER ASSY. (M1, M2)	
161	M0326804	TUBE PLUG	
171	0121F00539	SHEILD, BURNER (M1, M2)	
171	0121F00540	SHEILD, BURNER (M3, M4)	
171	0121F00541	SHEILD, BURNER (M5, M6)	
171	0121F00542	SHEILD, BURNER (M7, M8)	
171	0121F00543	SHEILD, BURNER (M9, M10)	
181	0154F00043	GASKET ID BLOWER	
231	A1781105	CAP-VINYL .500	
261	0121F00317	COVER, REAR (M1, M2, M3, M4)	
261	0121F00318	COVER, REAR (M5, M6, M7, M8)	
261	0121F00319	COVER, REAR (M9, M10)	
271	0154F00037	GASKET, REAR CVR (M1, M2, M3, M4)	
271	0154F00038	GASKET, REAR CVR (M5, M6, M7, M8)	
271	0154F00039	GASKET, REAR CVR (M9, M10)	
371	20162904	*PRIMARY LIMIT-TEMPERATURE CONTROL (M5, M6)	

Expanded Model Nomenclature

M1 - GVC960403BNBA
M2 - GVC960403BNBB
M3 - GVC960603BNBA
M4 - GVC960603BNBB
M5 - GVC960804CNBA
M6 - GVC960804CNBB
M7 - GVC961005CNBA
M8 - GVC961005CNBB
M9 - GVC961205DNBA
M10 - GVC961205DNBB

*Refer to service bulletin SF-054