

PF94705



3/4 HP Shallow Well Jet Pump

Product Features

- Rugged cast iron pump body for durability
- For shallow well applications up to 25' (7.62) depth
- Pre-mounted, fully adjustable pressure switch
- Pressure switch pre-set to 20/40 PSI
- Built-in thermal overload protection for safety
- Glass filled thermoplastic impeller and diffuser
- Cast iron seal plate
- 1-1/4" (3.17 cm) NPT Suction
- 1" (2.54 cm) NPT discharge
- Dual voltage motor (115 or 230 volts) preset for 115 volt



PF94705

Performance

- 3/4 HP 115/230 Volt AC (7.8 / 3.9 amps)

Approximate gallon per minute output at 40 psi							Maximum Pressure
Lift	0'	5'	10'	15'	20'	25'	
GPM	11.8	11.3	10.8	10.2	9.3	8.3	74 psi

Approximate output (GPM at discharge pressures)
Pumping depth to water in feet

Approximate liters per minute output at 40 psi							Maximum Pressure
Lift	0 m	1.5 m	3 m	4.5 m	6.1 m	7.6 m	
LPM	45	43	41	39	35	31	74 psi

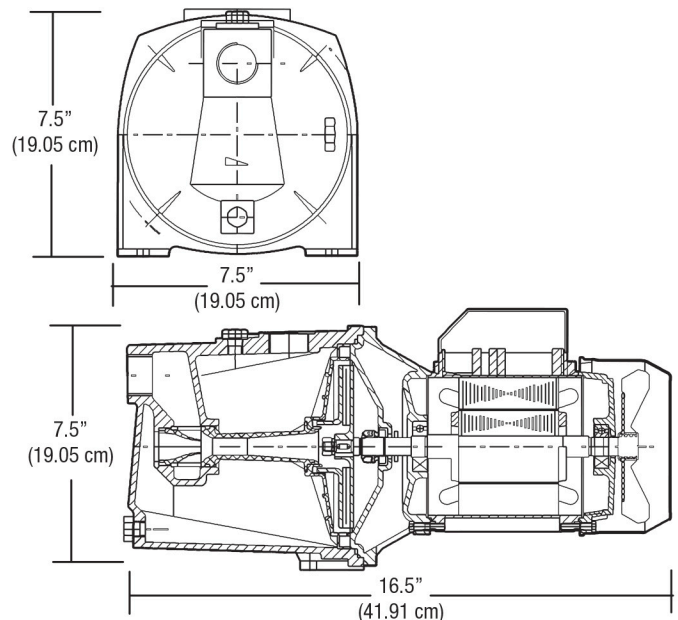
Approximate output (LPM at discharge pressures)
Pumping depth to water in feet

Warranty and Codes

This product comes complete with installation, operating, care and maintenance instructions. This PROFLO jet pump carries a 3 year warranty when installed in residential applications. See owners manual for warranty details.

This PROFLO jet pump carries a 3 year limited warranty. In an effort to continually improve our products, we will make design changes from time to time. We reserve the right to ship newly designed product to fill any order unless it is agreed in writing to do otherwise.

Product Specifications



* All measurements are nominal. Please verify before actual installation.

