

Features

- Protects bottom of sink from scratches
- Nonabrasive feet protect sink's surface
- Single rack
- Center drain opening
- For use with select STERLING Valton™ kitchen sinks

Material

- Stainless steel construction



Codes/Standards

None Applicable


**STERLING® One-Year Limited
Warranty**

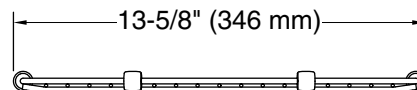
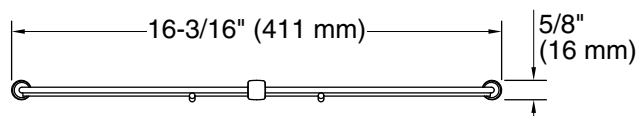
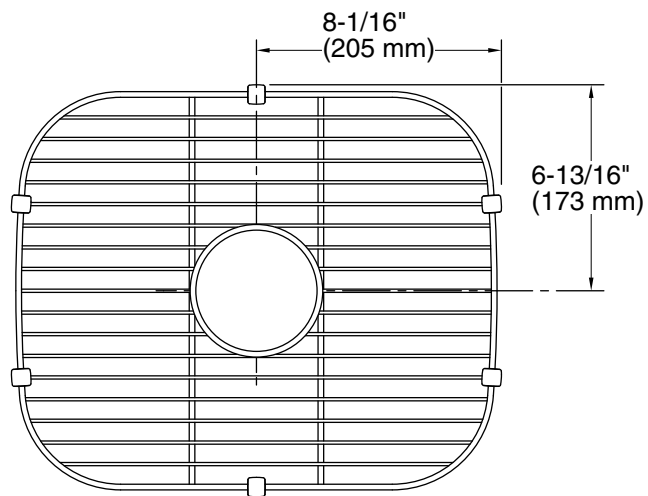
See website for detailed warranty information.

Available Colors/Finishes

Color tiles intended for reference only.

Color Code Description

	ST	Stainless Steel
---	----	-----------------



Technical Information

All product dimensions are nominal.

Material: Stainless Steel