



CANADIAN RESIDENTIAL GAS REPLACEMENT PARTS LIST

Combi Gas Water Heater “C(D,S)W2” Series



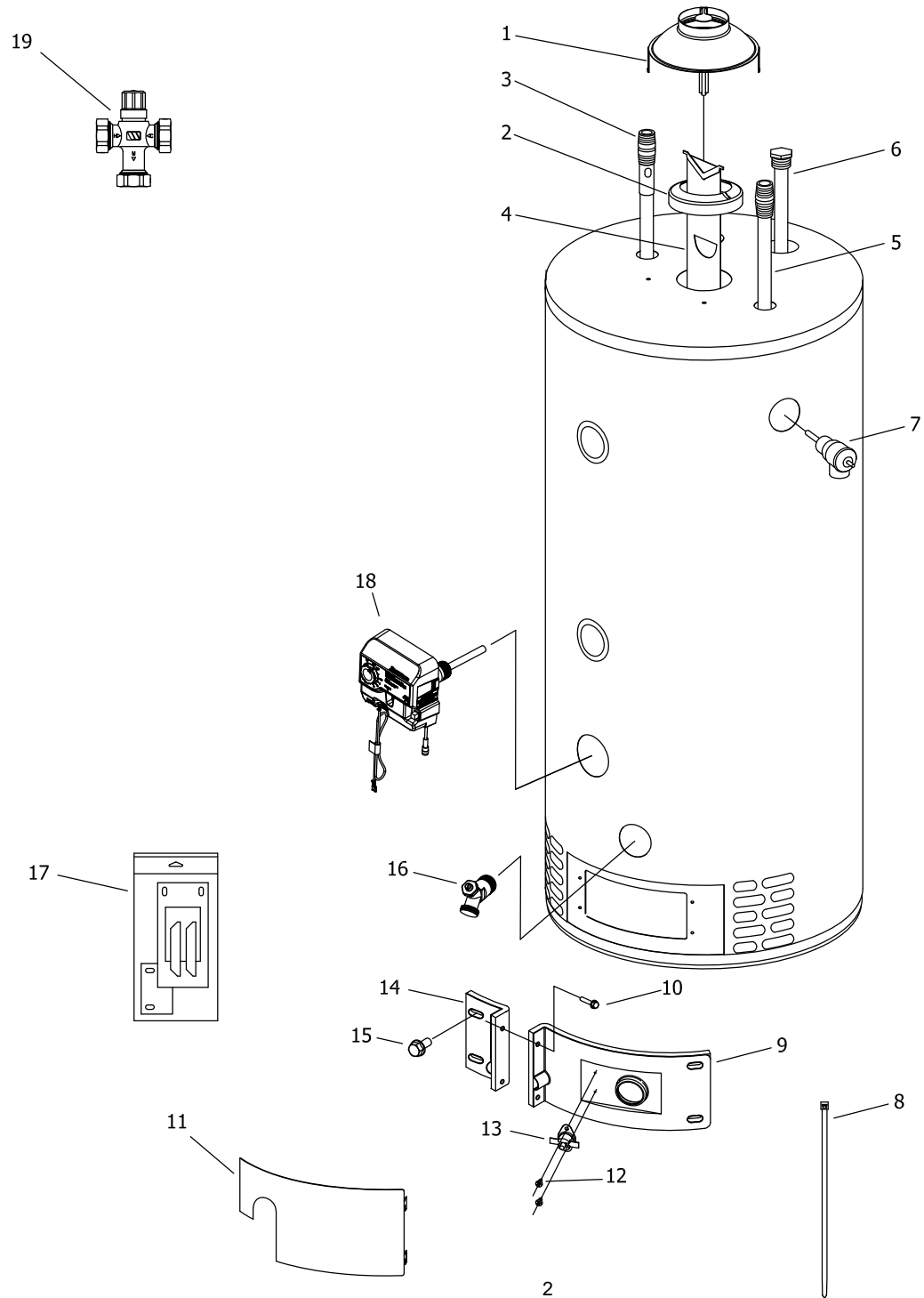
Models Covered:
C(D,S)W2504T10F(BN,CX,SX)
C(D,S) W275T10(BN,CX,SX)

Includes [Any additional features or callouts on the water heater]

Effective: January, 2023
ECO 8248-3

NOTE: BOTH MODEL AND SERIAL NUMBERS ARE REQUIRED FOR ORDERING REPLACEMENT PARTS

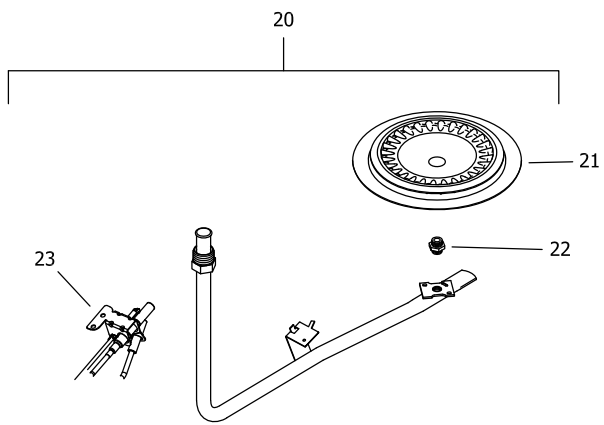
Dimensions and specifications subject to change without notice.



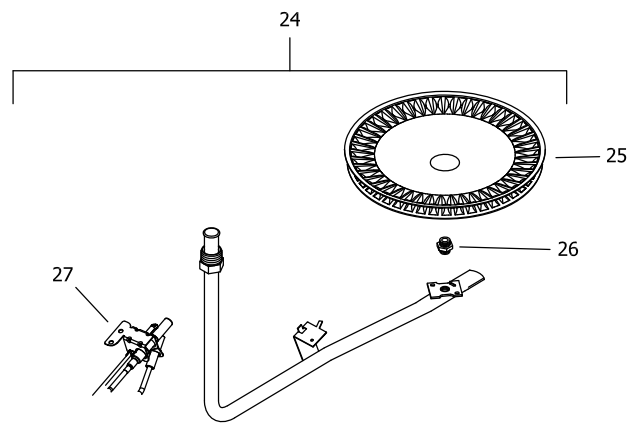
Item	Description	Model
		C(D,S)W2504T10F(BN,CX,SX)
1	Draft Hood	243-33081-02-20
2	Flue Reducer	243-36920-00
3	Hot Water Outlet Anode Aluminum A420 (Aluminum Anode)#	415-32999-30 415-49560-08
4	Flue Baffle	243-41037-00
5	Cold Water Inlet Dip Tube Polysulfone	415-51230-16
6	Plug Type Anode Aluminum	415-38508-03
7	T&P Relief Valve	415-40594-02
8	Wire Tie	239-44328-00
9	Right Side Inner Door Complete ♦	239-43963-07
10	Screw-#8-18 x 3/4 HWH	239-44195-00
11	Outer Door	243-43962-00
12	Screw-#6-20 x 3/8 PHCR	239-43967-00
13	Resettable Thermal Switch	239-43676-02
14	Left Side Inner Door Complete	239-43968-18
15	Screw-#10-12 x 3/4 HWH	239-52581-00
16	Brass Drain Valve	415-42351-02
17	Inner Door Gasket Kit	239-44078-00
18	Combination Gas Valve Natural Gas	415-53011-02
	Combination Gas Valve LP Gas	415-53014-02
19	ASSE Approved Mixing Valve (Optional)	239-51778-00

♦ Includes item 13.

A420 Anode may need to be cut to length



NATURAL GAS (BN) BURNER ASSEMBLY

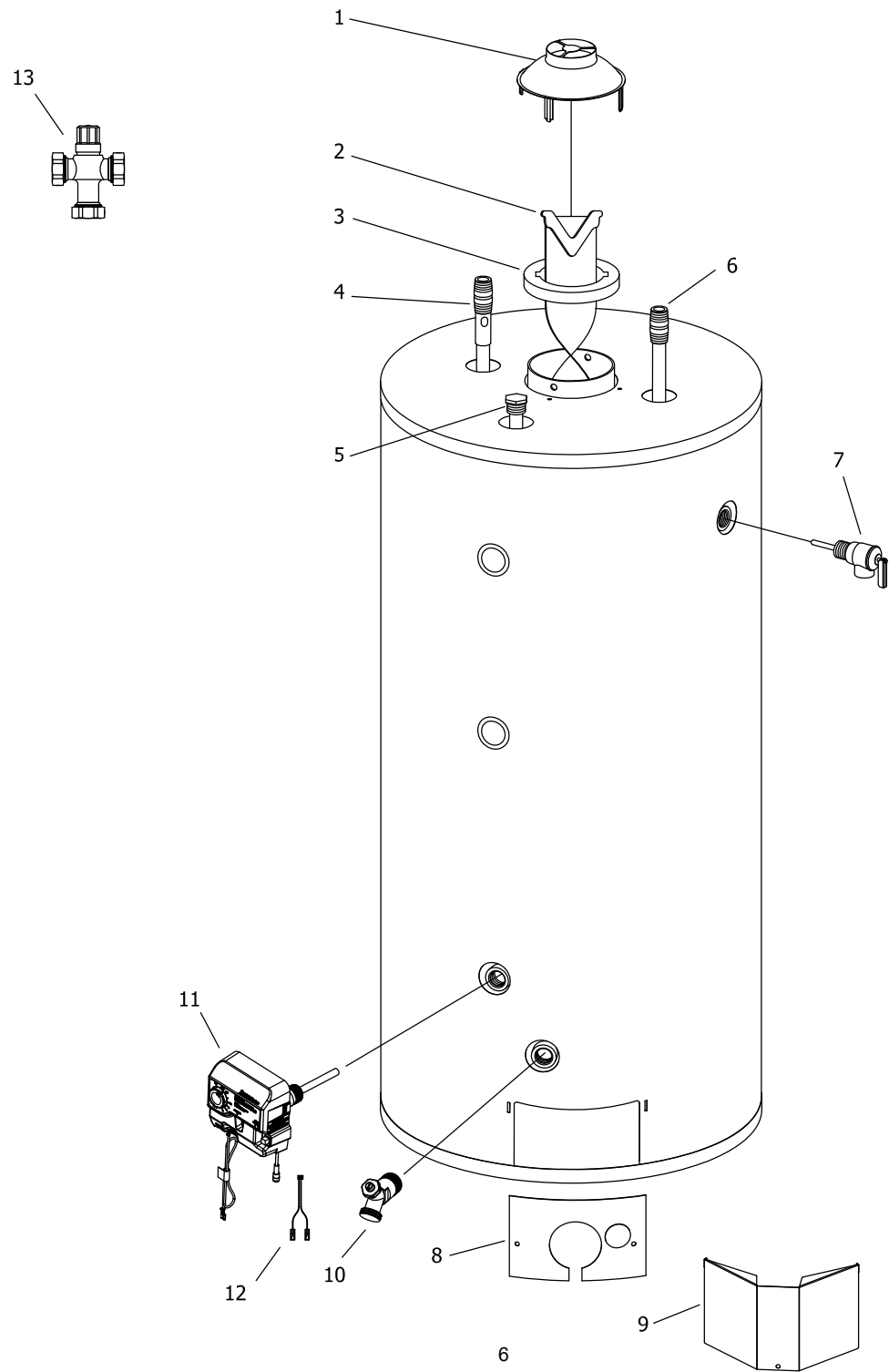


LP GAS (SX) BURNER ASSEMBLY

Item	Description	Model
	Natural Gas BN Burner Assembly	C(D,S)W2504T10F(BN,CX,SX)
20	Nat. Gas Burner Assembly Complete**	243-53623-04
21	Nat. Gas BN Burner*	228-42506-00
22	Nat. Gas Main Burner Orifice*	234-41034-27
	Nat. Gas High Altitude 2000 Ft. to 5000 Ft.*	234-41034-29
	Nat. Gas High Altitude 5000 Ft. to 8000 Ft.*	234-41034-30
	Nat. Gas High Altitude Over 8000 Ft.*	234-41034-31
23	Nat. Gas Pilot Assembly*	233-52946-05
	LP Gas SX Burner Assembly	
24	LP Gas Burner Assembly Complete**	265-53631-08-43
25	LP Gas SX Burner*	228-47000-00
26	LP Gas Main Burner Orifice*	234-47064-43
	LP Gas High Altitude 2000 Ft. to 5000 Ft.*	234-47064-44
	LP Gas High Altitude 5000 Ft. to 8000 Ft.*	234-47064-47
	LP Gas High Altitude Over 8000 Ft.*	234-47064-48
27	LP Gas Pilot Assembly*	233-52947-05
28	LP to Natural Gas Conversion Kit (Norm Alt.)*	265-53621-25
	LP to Natural Gas Conversion Kit (High Alt.)*	265-53621-26

* Inner door gasket kit recommended.

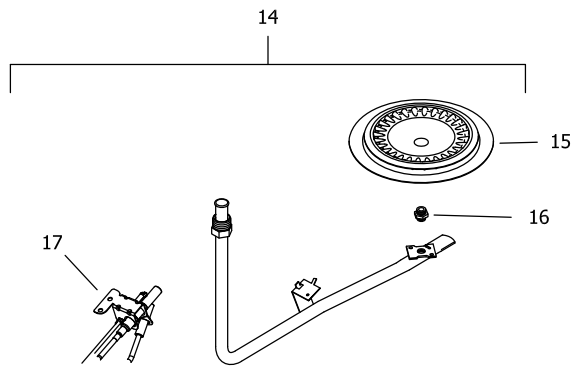
** Ordering a complete burner assembly may increase delivery time. Please order the specific component required for quickest delivery.



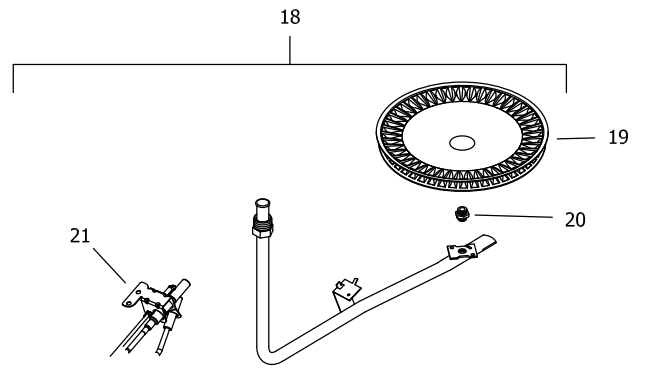
Item	Description	Model
		C(D,S)W275T10(BN,CX,SX)
1	Draft Hood	239-12950-00
2	Flue Baffle	243-39975-00
3	Flue Reducer	243-36920-00
4	Hot Water Outlet Anode Aluminum	415-32999-21
5	Plug Type Anode Aluminum	415-38508-03
	Plug Type Anode (A420)#	415-49559-04
6	Cold Water Inlet Dip Tube	415-45092-01
7	T&P Valve	415-40594-02
8	Inner Door	243-39207-00
9	Outer Door	243-37177-00
10	Brass Drain Valve	415-42351-02
11	Combination Gas Valve Natural Gas	415-53011-02
	Combination Gas Valve LP Gas	415-53014-02
12	Intermediate Harness†	239-46995-00 ¹
13	ASSE Approved Mixing Valve (Optional)	239-51778-00

A420 Anode may need to be cut to length

¹Serial # EF10634504 and after.



NATURAL GAS (BN) BURNER ASSEMBLY



LP GAS (SX) BURNER ASSEMBLY

LP GAS (SX) BURNER ASSEMBLY TO REPLACE LP GAS (CX) BURNER ASSEMBLY
ON ALL MODELS EXCEPT 75 & 100 GAL. MODELS

Item	Description	Model
	Natural Gas BN Burner Assembly	C(D,S)W275T10(BN,CX,SX)
14	Nat. Gas Burner Assembly Complete**	265-53628-01-22
15	Nat. Gas BN Burner	228-42506-00
16	Nat. Gas Main Burner Orifice	234-41034-22
	Nat. Gas High Altitude 2000 Ft. to 5000 Ft.	234-41034-26
	Nat. Gas High Altitude 5000 Ft. to 8000 Ft.	234-41034-26
	Nat. Gas High Altitude Over 8000 Ft.	234-41034-30
17	Nat. Gas Pilot Assembly	233-52946-05
	LP Gas SX Burner Assembly	
18	LP Gas SX Burner Assembly Complete**	265-47011-02-38
	LP Gas SX Burner Assembly Complete**	243-53643-02-38
19	LP Gas SX Burner	228-46938-00
20	LP Gas Main Burner Orifice	234-47064-38
	LP Gas High Altitude 2000 Ft. to 5000 Ft.	234-47064-42
	LP Gas High Altitude 5000 Ft. to 8000 Ft.	234-47064-43
	LP Gas High Altitude Over 8000 Ft.	234-47064-43
21	LP Gas Pilot	233-52947-05
22	LP to Natural Gas Conversion Kit (Norm Alt.)	265-53632-27
23	LP to Natural Gas Conversion Kit (High Alt.)	265-53632-40

** Ordering a complete burner assembly may increase delivery time. Please order the specific component required for quickest delivery.



United States

Sales 800-523-2931

Technical Support 800-334-3393

Email techserv@bradfordwhite.com

Warranty 800-531-2111

Email warranty@bradfordwhite.com

Service Parts 800-538-2020

Email parts@bradfordwhite.com

Canada

Sales & Technical Support 866-690-0961 905-203-0600

Fax 905-636-0666

Warranty bwccwarranty@bradfordwhite.com

Technical Support bwccotech@bradfordwhite.com

Service Parts orders@bradfordwhitecanada.com

Orders ca.orders@bradfordwhite.com

For U.S. and Canada field service,
contact your professional installer or
local Bradford White sales representative.

International

General Contact international@bradfordwhite.com