



CANADIAN RESIDENTIAL & LIGHT DUTY COMMERCIAL GAS REPLACEMENT PARTS LIST

The Bradford White DEFENDER Safety System™ High-Input Direct Vent Models



Models Covered:

RG2DV40S*(N,X)(-OLY,-FLX,-SLD)

RG2DV50S*(N,X)(-OLY,-FLX,-SLD)

RG2DV50H*(N,X)(-OLY,-FLX,-SLD)

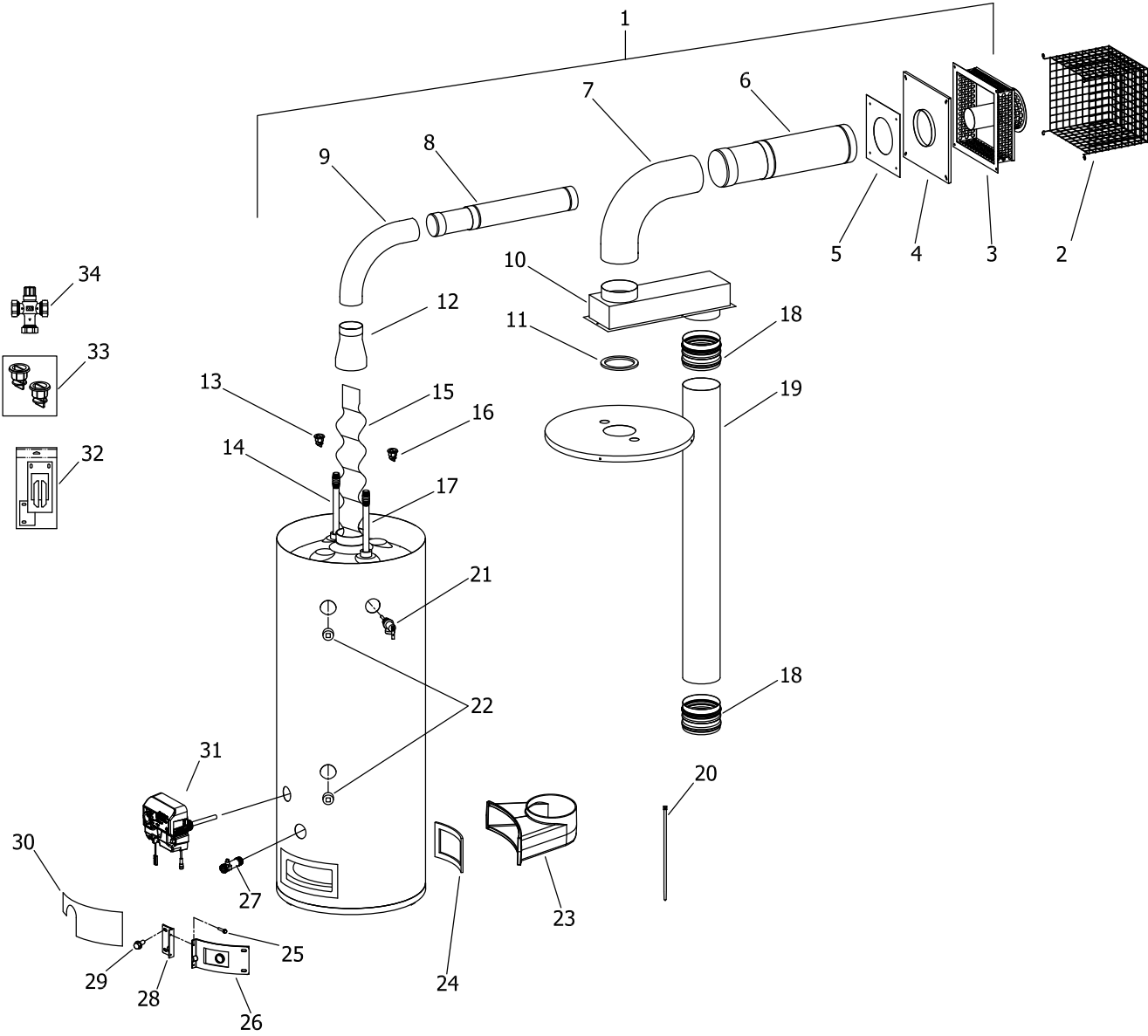
LG2DV50H50*(N,X)(-OLY,-FLX,-SLD)

*Denotes warranty year

Effective: January, 2023
ECO 8248-3

**NOTE: BOTH MODEL AND
SERIAL NUMBERS ARE
REQUIRED FOR ORDERING
REPLACEMENT PARTS.**

Dimensions and specifications
subject to change without notice.



Item	Description	Model	Model	Model	Model
		RG2DV40S*(N,X) (-OLY,-FLX,-SLD)	RG2DV50S*(N,X) (-OLY,-FLX,-SLD)	RG2DV50H*(N,X) (-OLY,-FLX,-SLD)	LG2DV50H50*(N,X) (-OLY,-FLX,-SLD)
1	Aluminum Venting (Solid)	415-51283-00	415-51283-00	415-51286-00	415-51286-00
	Aluminum Venting (Flexible)	415-51284-00	415-51284-00	415-51287-00	415-51287-00
2	Direct Vent-Air Intake Terminal Guard (Optional)	415-41453-00	415-41453-00	415-41453-00	415-41453-00
3	Direct Vent-Air Intake Terminal (Flexible & Solid)	415-41425-00	415-41425-00	239-42274-00	239-42274-00
4	Outer Wall Mounting Plate (Flexible & Solid)	415-41431-00	415-41431-00	239-42447-00	239-42447-00
5	Backing Plate	239-41433-00	239-41433-00	239-42449-00	239-42449-00
6	Six inch Diameter Telescopic Air Intake Tube (Solid Only)	---	---	239-42459-00	239-42459-00
	Five inch Diameter Telescopic Air Intake Tube (Solid Only)	239-41006-00	239-41006-00	---	---
7	Six inch Diameter Elbow (Solid Only)	---	---	239-42067-00	239-42067-00
	Five inch Diameter Elbow (Solid Only)	239-41007-00	239-41007-00	---	---
8	Four inch Diameter Telescopic Vent Tube (Solid Only)	---	---	239-42460-00	239-42460-00
	Three inch Diameter Telescopic Vent Tube (Solid Only)	239-41005-00	239-41005-00	---	---
9	Four inch Diameter Elbow (Solid Only)	---	---	239-42068-00	239-42068-00
	Three inch Diameter Elbow (Solid Only)	239-41008-00	239-41008-00	---	---
10	Plenum	239-47663-00	239-47663-00	239-47668-01	239-47668-01
11	Plenum Gasket	239-41070-01	239-41070-01	239-41070-02	239-41070-02
12	Flue Reducer	239-41009-00	239-41009-00	239-42066-00	239-42066-00
13	Heat Trap Insert (Outlet)	415-45167-00	415-45167-00	415-45167-00	415-45167-00
14	Hot Water Outlet Anode (Magnesium)▲ #	415-47776-19	415-47776-19	415-47776-19	415-47776-19
	Hot Water Outlet Anode (Aluminum)▲#	415-32999-42	415-32999-42	415-32999-42	415-32999-42
	Hot Water Outlet Anode (A420 Aluminum)▲#	415-49560-08	415-49560-08	415-49560-08	415-49560-08
15	Flue Baffle	243-47511-00	243-51013-00	243-50921-00	243-50921-00
16	Heat Trap Insert (Inlet)	415-51556-00	415-51556-00	415-51556-00	415-51556-00
17	Cold Water Inlet Dip Tube (PEX)▲▲	415-51230-25	229-51230-26	415-51230-20	415-51230-25
18	Coupler (2 Required) ◆	239-50102-00	239-50102-00	239-50102-00	239-50102-00
19	Air Intake Tube	239-50099-05	239-50099-06	239-50099-06	239-50099-06
20	Wire Tie	239-44328-00	239-44328-00	239-44328-00	239-44328-00
21	T&P Relief Valve	415-40594-02	415-40594-02	415-40594-02	415-40594-02
22	3/4 NPT Plug	---	---	239-11638-00	239-11638-00
23	Air Intake Boot	239-47771-18	239-47771-18	239-47771-18	239-47771-18
24	Air Intake Boot Gasket	w/ Intake Boot	w/ Intake Boot	w/ Intake Boot	w/ Intake Boot
25	Screw-#8-18 x 3/4 HWH	239-44195-00	239-44195-00	239-44195-00	239-44195-00
26	Right Side Inner Door	239-45642-18	239-45642-18	239-45642-18	239-45642-18
27	Brass Drain Valve	415-42351-02	415-42351-02	415-42351-02	415-42351-02
28	Left Side Inner Door	239-43968-18	239-43968-18	239-43968-18	239-43968-18
29	Screw-#10-12 x 3/4 HWH	239-44113-00	239-44113-00	239-44113-00	239-44113-00
30	Outer Door	243-43962-00	243-43962-00	243-43962-00	243-43962-00
31	Gas Control Direct Replacement Natural Gas	415-52944-02	415-52944-02	415-52944-02	415-53011-02
	Gas Control Direct Replacement LP Gas	415-52945-02	415-52945-02	415-52945-02	415-53014-02
32	Inner Door Gasket Kit	238-49987-00	238-49987-00	238-49987-00	238-49987-00
33	Heat Trap Insert Kit	265-51572-00	265-51572-00	265-51572-00	265-51572-00
34	ASSE Approved Mixing Valve (Optional)	239-43740-01	239-43740-01	239-43740-01	239-43740-01

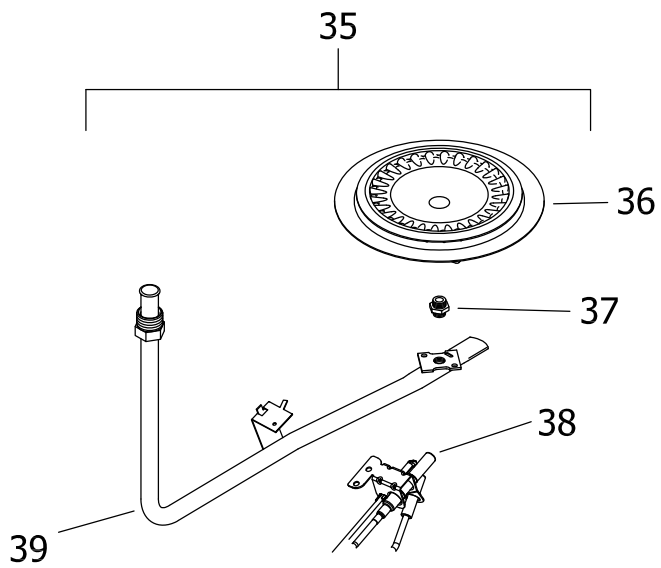
*Applies to all warranties

Aluminum Anode may need to be cut to length

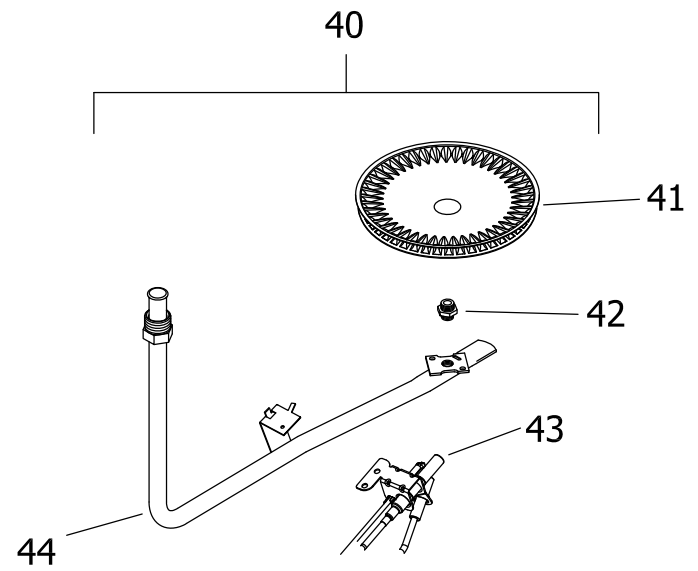
◆ Air intake tube (item# 19) should be purchased with coupler (item 18).

▲ Order with item# 13

▲▲ Order with item# 16



NATURAL GAS (N) BURNER ASSEMBLY



LP GAS (X) BURNER ASSEMBLY

Item	Description	Model	Model	Model	Model
		RG2DV40S*(N,X) (-OLY,-FLX,-SLD)	RG2DV50S*(N,X) (-OLY,-FLX,-SLD)	RG2DV50H*(N,X) (-OLY,-FLX,-SLD)	LG2DV50H50*(N,X) (-OLY,-FLX,-SLD)
Natural Gas (N) Burner Assembly					
35	Nat. Gas Burner Assembly Complete***	265-53644-04-33	265-53644-04-32	265-53644-04-31	265-53644-04-31
36	Nat. Gas BN Burner**	228-42506-00	228-42506-00	228-42506-00	228-42506-00
37	Nat. Gas (N) Main Burner Orifice 0 Ft. to 2,000 Ft. **	234-41034-33	234-41034-32	234-41034-31	234-41034-31
	Nat. Gas (N) High Altitude Orifice 0 Ft. to 7,000 Ft. (-475 model suffixes) **	234-41034-38	234-41034-36	234-41034-35	234-41034-35
	Nat. Gas (N) High Altitude Orifice Kit 7,001 Ft. to 10,000 Ft.	265-51311-02-41	265-51311-02-40	265-51311-02-38	265-51311-02-38
38	Nat. Gas Pilot Assembly	233-53604-01	233-53604-01	233-53604-01	233-53604-01
39	Nat. Gas Feedline	233-48095-05	233-48095-05	233-48095-05	233-48095-05
LP Gas (X) Burner Assembly					
40	LP Gas Burner Assembly Complete***	265-53639-02-50	265-53639-02-49	265-53641-04-47	265-53641-04-47
41	LP Gas (X) Burner**	228-46964-00	228-46964-00	228-47000-00	228-47000-00
42	LP Gas (X) Main Burner Orifice 0 Ft. to 2,000 Ft. **	234-47064-50	234-47064-49	234-47064-47	234-47064-47
	LP Gas (X) High Altitude Orifice 0 Ft. to 7,000 ft. (-475 model suffixes) **	234-47064-52	234-47064-51	234-47064-50	234-47064-50
	LP Gas (X) High Altitude Orifice Kit 7,001 Ft. to 10,000 Ft. **	265-51367-02-53	265-51367-02-53	265-51367-02-51	265-51367-02-51
43	LP Gas Pilot Assembly**	233-53605-01	233-53605-01	233-53605-01	233-53605-01
44	LP Gas Feedline	233-47677-05	233-47677-05	233-47677-05	233-47677-05
	LP Gas (X) to Nat. Gas (N) Conversion kit	265-53632-26	265-53632-28	265-53632-30	265-53632-32
	LP Gas (X) to Nat. Gas (N) Hi Alt Conversion kit	265-53632-46	265-53632-47	265-53632-48	265-53632-49

*Applies to all warranties


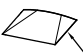
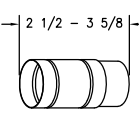
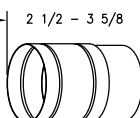

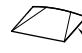
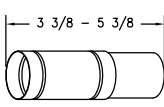
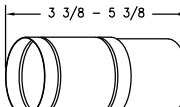


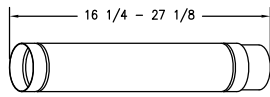
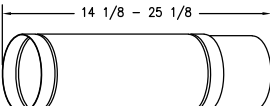


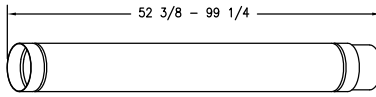
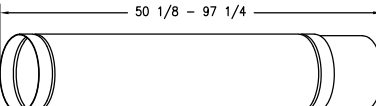
**Inner door gasket kit recommended

***Ordering a complete burner assembly may increase delivery time. Please order the specific component required for the quickest delivery.

Reference Chart of Anode Length by Model

Model	Hot Water Outlet Anode Cut Length (End to end)	
	Inches	Millimeters
RG2DV40S*(N,X) (-OLY,-FLX,-SLD)	39.13	994
RG2DV50S*(N,X) (-OLY,-FLX,-SLD)	47.63	1210
RG2DV50H*(N,X) (-OLY,-FLX,-SLD)	47.63	1210
LG2DV50H50*(N,X) (-OLY,-FLX,-SLD)	47.63	1210

SOLID VENT KITS

 <p style="text-align: center;">SILICONE SEALANT</p>  <p style="text-align: center;">BAG OF MOUNTING HARDWARE</p> <div style="display: flex; justify-content: space-around; align-items: center;"> <div style="text-align: center;">  <p>2 1/2 - 3 5/8</p> </div> <div style="text-align: center;">  <p>2 1/2 - 3 5/8</p> </div> </div> <p style="text-align: center;">DIRECT VENT-AIR INTAKE KIT F PART NO. 239-42516-00 (OPTIONAL)</p>	 <p style="text-align: center;">SILICONE SEALANT</p>  <p style="text-align: center;">BAG OF MOUNTING HARDWARE</p> <div style="display: flex; justify-content: space-around; align-items: center;"> <div style="text-align: center;">  <p>3 3/8 - 5 3/8</p> </div> <div style="text-align: center;">  <p>3 3/8 - 5 3/8</p> </div> </div> <p style="text-align: center;">DIRECT VENT-AIR INTAKE KIT G PART NO. 239-42517-00 (OPTIONAL)</p>
 <p style="text-align: center;">SILICONE SEALANT</p>  <p style="text-align: center;">BAG OF MOUNTING HARDWARE</p> <div style="text-align: center; margin-bottom: 10px;">  <p>16 1/4 - 27 1/8</p> </div> <div style="text-align: center;">  <p>14 1/8 - 25 1/8</p> </div> <p style="text-align: center;">DIRECT VENT-AIR INTAKE KIT H PART NO. 239-42514-00 (OPTIONAL) ABOVE TUBE LENGTHS SUPPLIED WITH HEATER</p>	 <p style="text-align: center;">SILICONE SEALANT</p>  <p style="text-align: center;">BAG OF MOUNTING HARDWARE</p> <div style="text-align: center; margin-bottom: 10px;">  <p>52 3/8 - 99 1/4</p> </div> <div style="text-align: center;">  <p>50 1/8 - 97 1/4</p> </div> <p style="text-align: center;">DIRECT VENT-AIR INTAKE KIT I PART NO. 239-42512-00 (OPTIONAL)</p>

SOLID VENT KITS

		Horizontal "X"				
		16 1/4 17 3/16	18 20 11/16	25 1/4 35 3/16	37 3/4 57 7/8	61 5/16 107 5/16
Vertical "Y"	11 9/16	order kit F 239-42516-00	order kit G 415-42517-00	no add'l kit req'd	order kit H 415-42514-00	order kit I 415-42512-00
	16 5/16 17 1/4	order kit F * (2) 239-42516-00	order kit F & G 239-42516-00 415-42517-00	order kit F 239-42516-00	order kit F & H 239-42516-00 415-42514-00	order kit F & I 239-42516-00 415-42512-00
	18 1/16 20 3/4	order kit F & G 239-42516-00 415-42517-00	order kit G * (2) 415-42517-00	order kit G 415-42517-00	order kit G & H 415-42517-00 415-42514-00	order kit G & I 415-42517-00 415-42512-00
	25 5/16 35 1/4	order kit F 239-42516-00	order kit G 415-42517-00	order kit H 415-42514-00	order kit H * (2) 415-42514-00	order kit I 415-42512-00
	38 1/16 57 15/16	order kit F & H 239-42516-00 415-42514-00	order kit G & H 415-42517-00 415-42514-00	order kit H * (2) 415-42514-00	order kit H * (3) 415-42514-00	order kit H & I 415-42514-00 415-42512-00
	61 3/8 107 3/8	order kit F & I 239-42516-00 415-42512-00	order kit G & I 415-42517-00 415-42512-00	order kit I 415-42512-00	order kit H & I 415-42514-00 415-42512-00	order kit I * (2) 415-42512-00

*(2) = Order two kits

*(3) = Order three kits

FLEXIBLE VENT KITS

Vertical Vent Height + Horizontal Vent Length	Kit Part Number
Less than 100 inches	415-48915-00
More than 100 inches	N/A*

*Do not attempt to use flexible vent hose at a distance greater than 100 inches.



United States

Sales 800-523-2931

Technical Support 800-334-3393

Email techserv@bradfordwhite.com

Warranty 800-531-2111

Email warranty@bradfordwhite.com

Service Parts 800-538-2020

Email parts@bradfordwhite.com

Canada

Sales & Technical Support 866-690-0961 905-203-0600

Fax 905-636-0666

Warranty bwccwarranty@bradfordwhite.com

Technical Support bwccotech@bradfordwhite.com

Service Parts orders@bradfordwhitecanada.com

Orders ca.orders@bradfordwhite.com

For U.S. and Canada field service,
contact your professional installer or
local Bradford White sales representative.

International

General Contact international@bradfordwhite.com