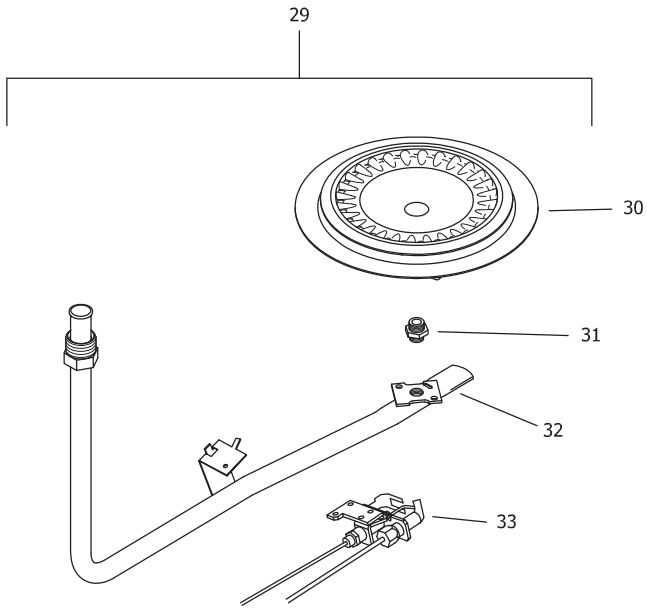
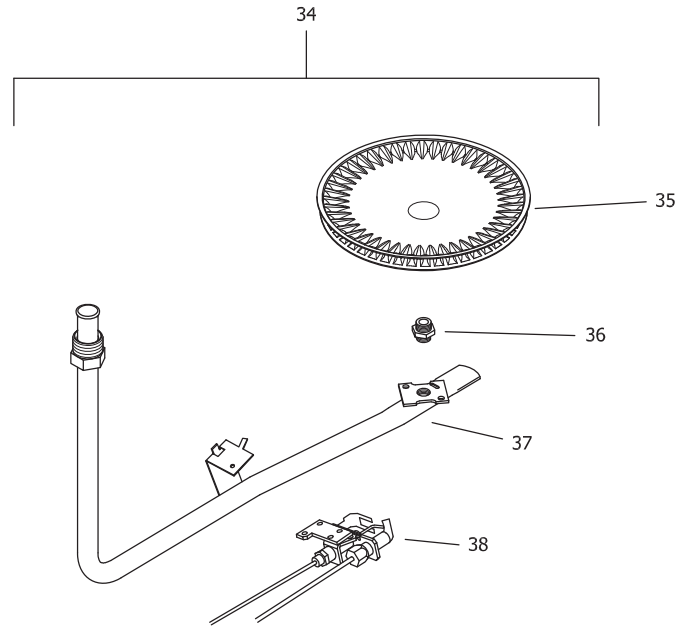


Item Description	Model	Model	Model	Model
	RG1PV40S*(N,X)19	RG1PV50S*(N,X)19	RG2PV40T*(N,X)19	RG2PV50T*(N,X)19
1 Blower Complete	415-53662-00	415-53662-00	415-53662-00	415-53662-00
2 Gasket Adapter Rubber PVC	415-53864-00	415-53864-00	415-53864-00	415-53864-00
3 Pressure Switch	415-45867-05	415-45867-05	415-45867-05	415-45867-05
4 Blower Temperature Switch	415-53692-00	415-53692-00	415-53692-00	415-53692-00
5 Blower Gasket	415-53693-00	415-53693-00	415-53693-00	415-53693-00
6 Blower Power Cord	239-44466-00	239-44466-00	239-44466-00	239-44466-00
7 Condensate Hose Kit (Optional)	239-45875-00	239-45875-00	239-45875-00	239-45875-00
8 Heat Trap Insert (Outlet)	239-45167-00	239-45167-00	239-45167-00	239-45167-00
9 Hot Water Outlet Anode (Magnesium) ▲#	224-47776-19	224-47776-19	224-47776-19	224-47776-19
Hot Water Outlet (Aluminum) ▲#	224-32999-28	224-32999-28	224-32999-28	224-32999-28
Hot Water Outlet (A420 Aluminum) ▲#	224-49560-10	224-49560-10	224-49560-10	224-49560-10
10 Flue Baffle	243-53013-00	243-53013-00	243-53012-00	243-53012-00
11 Heat Trap Insert (Inlet)	239-51556-00	239-51556-00	239-45167-00	239-45167-00
12 Cold Water Inlet Dip Tube ▲▲	229-51230-25	229-51230-25	229-45092-06	229-45092-06
13 Safety Circuit Wire Harness	239-53264-00	239-53264-00	239-53264-00	239-53264-00
14 T&P Relief Valve	230-40594-02	230-40594-02	230-40594-02	230-40594-02
15 Outer Door	243-43962-00	243-43962-00	243-43962-00	243-43962-00
16 Right Side Inner Door Complete w/Gasket	239-45642-18	239-45642-20	239-43963-16	239-45642-18
17 Screw-#8-15 x 3/4 HWH	239-44195-00	239-44195-00	239-44195-00	239-44195-00
18 Left Side Inner Door Complete w/Gasket	239-43968-18	239-43968-20	239-43968-16	239-43968-18
19 Screw-#10-12 x 3/4 HWH	239-44113-00	239-44113-00	239-44113-00	239-44113-00
20 Brass Drain Valve	265-42351-02	265-42351-02	265-42351-02	265-42351-02
21 Flammable Vapor Sensor Clip	239-45648-00	239-45648-00	239-45648-00	239-45648-00
22 Flammable Vapor Sensor Kit (2 pcs)	265-45560-00	265-45560-00	265-45560-00	265-45560-00
23 Flammable Vapor Sensor Harness	239-49791-00	239-49791-00	239-49791-00	239-49791-00
24 Inner Door Gasket Kit	239-44078-00	239-44078-00	239-44078-00	239-44078-00
25 ASSE Approved Mixing Valve (Optional)	239-51778-00	239-51778-00	239-51778-00	239-51778-00
26 Kit-Heat Trap Insert	265-51572-00	265-51572-00	265-45420-00	265-45420-00
27 Gas Valve Natural Gas	239-48795-01	239-48795-01	239-48795-02	239-48795-02
Gas Valve LP Gas	239-48796-01	239-48796-01	239-48796-02	239-48796-02
28 Insulation Kit	239-48949-00	239-48949-00	239-48949-00	239-48949-00

\*Applies to all warranties  
# Anode may need to be cut to length  
▲ Order with item 9  
▲▲ Order with item 12



NATURAL GAS (BN) BURNER ASSEMBLY



LP GAS (SX) BURNER ASSEMBLY

LP GAS (SX) BURNER ASSEMBLY TO REPLACE LP GAS (CX) BURNER ASSEMBLY

Item Description	Model	Model	Model	Model
	RG1PV40S*(N,X)19	RG1PV50S*(N,X)19	RG2PV40T*(N,X)19	RG2PV50T*(N,X)19
<b>Natural Gas Burner Assembly</b>				
29 Nat Gas Burner Assembly Complete***	265-47439-06-32	265-47439-09-32	265-47439-06-32	265-47439-09-32
30 Nat. Gas (N) Burner**	228-42506-00	228-42506-00	228-42506-00	228-42506-00
31 Nat. Gas (N) Main Burner Orifice 0 Ft. to 2,000 Ft. **	234-41034-32	234-41034-32	234-41034-32	234-41034-32
Nat. Gas (N) High Altitude 0 to 7000 Ft. (-475 model suffixes) **	234-41034-36	234-41034-36	234-41034-36	234-41034-36
Nat. Gas (N) High Altitude Kit (7,001 Ft. to 10,000 Ft.)	265-51380-04-40	265-51380-04-40	265-51380-07-40	265-51380-07-40
32 Nat. Gas Feedline	233-47431-03	233-47431-04	233-47431-03	233-47431-04
33 Nat. Gas Pilot Assembly**	233-45653-05	233-45653-05	233-45653-05	233-45653-05
<b>LP Gas Burner Assembly</b>				
34 LP Gas Burner Assembly Complete***	265-47440-09-50	265-47440-15-50	265-47440-09-50	265-47440-15-50
35 LP Gas (X) Burner**	228-46964-00	228-46964-00	228-46964-00	228-46964-00
36 LP Gas (X) Main Burner Orifice 0 Ft. to 2,000 Ft. **	234-47064-50	234-47064-50	234-47064-50	234-47064-50
LP Gas (X) High Altitude Orifice 0 Ft. to 7000 Ft. (-475 model suffixes) **	234-47064-52	234-47064-52	234-47064-52	234-47064-52
LP Gas (X) High Altitude Orifice Kit 7,001 Ft. to 10,000 Ft.	265-51433-06-53	265-51433-06-53	265-51433-07-53	265-51433-07-53
37 LP Feedline	233-47432-03	233-47432-03	233-47432-03	233-47432-03
38 LP Gas Pilot Assembly**	233-45653-04	233-45653-04	233-45653-04	233-45653-04
LP to Nat. Gas Conversion Kit (Norm Alt.) 0 Ft. to 2,000 Ft.	265-46493-02	265-46493-06	265-46493-83	265-46493-88
LP to Nat. Gas Conversion Kit (High Alt.) 0 Ft. to 7,000 Ft. (-475 model suffixes)	265-46493-96	265-46493-97	265-46493-98	265-46493-99

\*Applies to all warranties.

\*\*Inner door gasket kit recommended.

\*\*\*Ordering a complete burner assembly may increase delivery time. Please order the specific component required for the quickest delivery.

# Anode may need to be cut to length.