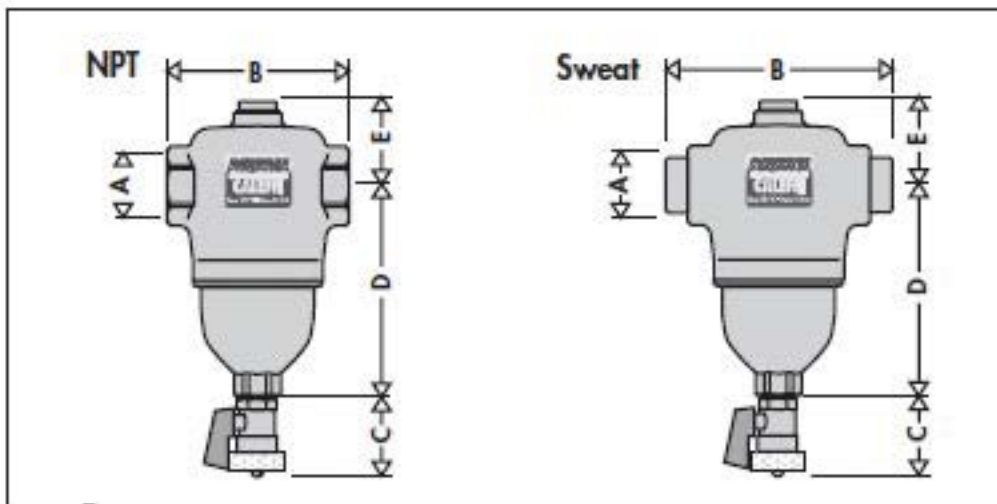
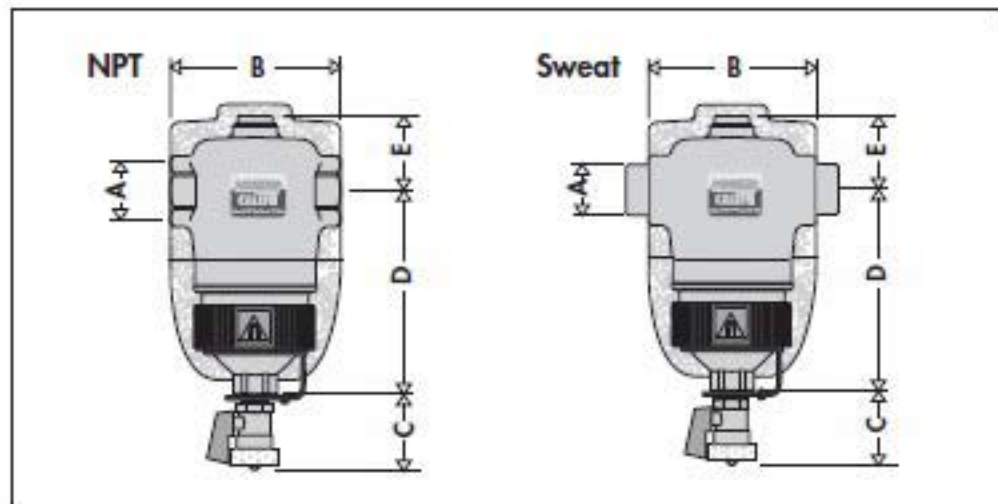


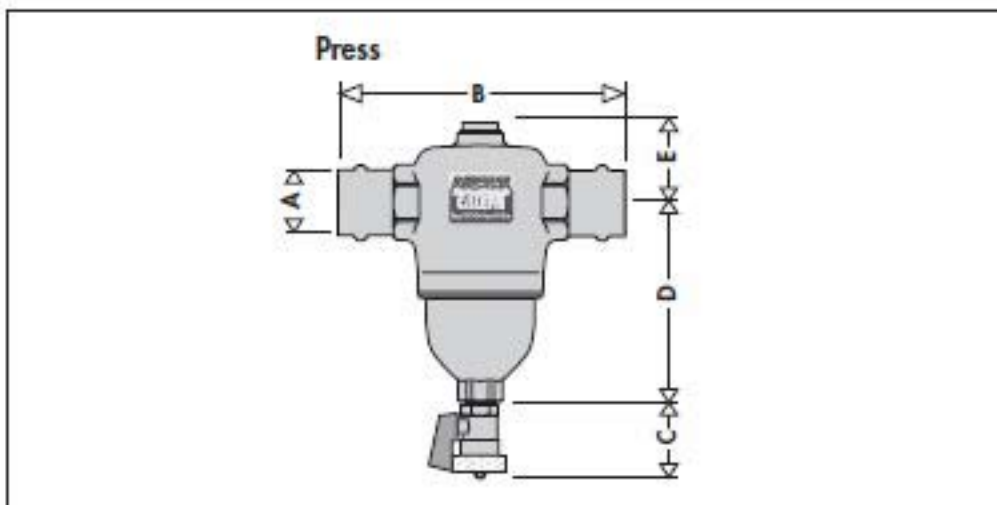
Dimensions



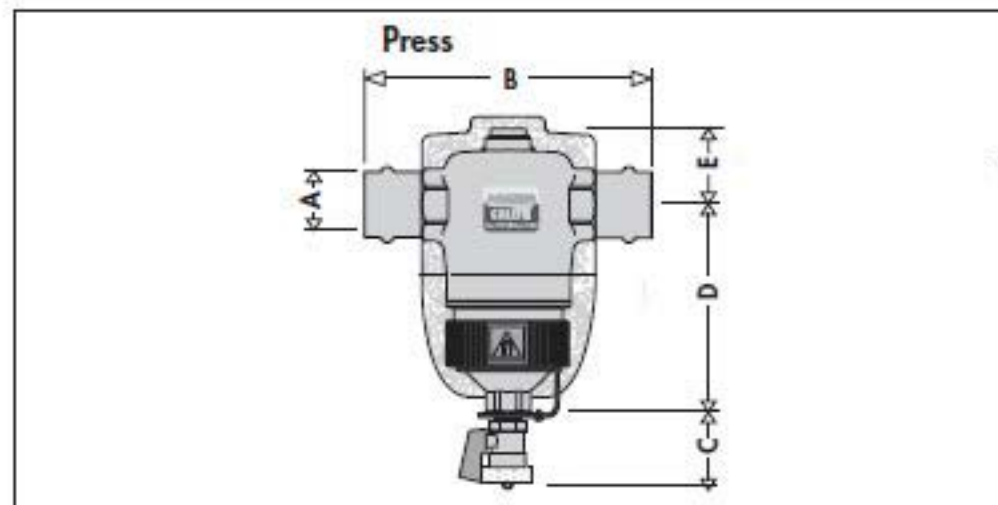
Code	A	B	C	D	E	Wt. lb (kg)
546205A	3/4" NPT	4 ⁵ / ₁₆ "	1 ¹ / ₄ "	5"	2"	4.2 (1.9)
546206A	1" NPT	4 ⁵ / ₁₆ "	1 ¹ / ₄ "	5"	2"	4.2 (1.9)
546207A	1 ¹ / ₄ " NPT	4 ⁷ / ₈ "	1 ¹ / ₄ "	6"	2"	5.3 (2.4)
546208A	1 ¹ / ₂ " NPT	4 ⁷ / ₈ "	1 ¹ / ₄ "	6"	2"	6.2 (2.8)
546209A	2" NPT	5 ¹ / ₈ "	1 ¹ / ₄ "	6"	2"	6.2 (2.8)
546228A	1" SWT	5 ¹ / ₁₆ "	1 ¹ / ₄ "	5"	2"	4.2 (1.9)
546235A	1 ¹ / ₄ " SWT	5 ³ / ₁₆ "	1 ¹ / ₄ "	6"	2"	4.2 (1.9)
546241A	1 ¹ / ₂ " SWT	5 ³ / ₄ "	1 ¹ / ₄ "	6"	2"	4.9 (2.2)



Code	A	B	C	D	E	Wt. lb (kg)
546306A	1" NPT	4 ⁵ / ₁₆ "	1 ¹ / ₄ "	5"	2"	4.2 (1.9)
546328A	1" SWT	5 ¹ / ₁₆ "	1 ¹ / ₄ "	5"	2"	4.2 (1.9)
546307A	1 ¹ / ₄ " NPT	4 ⁷ / ₈ "	1 ¹ / ₄ "	6"	2"	5.3 (2.8)
546335A	1 ¹ / ₄ " SWT	5 ³ / ₁₆ "	1 ¹ / ₄ "	6"	2"	4.2 (1.9)
546308A	1 ¹ / ₂ " NPT	4 ⁷ / ₈ "	1 ¹ / ₄ "	6"	2"	6.2 (2.8)
546341A	1 ¹ / ₂ " SWT	5 ³ / ₄ "	1 ¹ / ₄ "	6"	2"	4.9 (2.2)
546309A	2" NPT	5 ¹ / ₈ "	1 ¹ / ₄ "	6"	2"	6.2 (2.8)



Code	A	B	C	D	E	Wt lb (kg)
546266A	1" press	6 ³ / ₁₆ "	1 ¹ / ₄ "	5"	2"	4.5 (2.0)
546267A	1 ¹ / ₄ " press	7 ⁷ / ₁₆ "	1 ¹ / ₄ "	6"	2"	5.6 (2.5)



Code	A	B	C	D	E	Wt lb (kg)
546366A	1" press	6 ³ / ₁₆ "	1 ¹ / ₄ "	5"	2"	4.5 (2.0)
546367A	1 ¹ / ₄ " press	7 ⁷ / ₁₆ "	1 ¹ / ₄ "	6"	2"	5.6 (2.5)

NOTE: Drawings may not reflect the actual size of the separators.