




Product Catalog

A Leader in Water and Wastewater Fittings



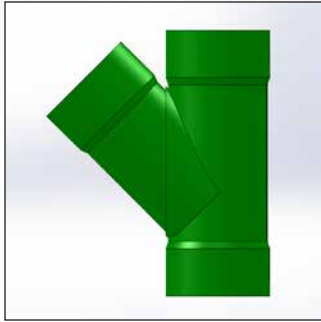


Established in 1990, **Galaxy Plastics Ltd.** found its roots in fabricated fittings for the hydro and telephone industry and quickly expanded to become a leader in the water and wastewater field for fabricated PVC fittings.

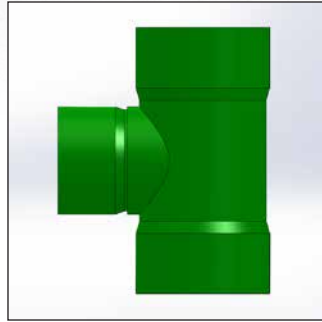
Galaxy Plastics boasts a full line of:

- Storm/Sanitary Sewer Fittings
- BDS Drainline Fittings
- Storm Profile Fittings
- DWV Fittings
- IPS (cl100, cl160, cl200, sch40, sch80) Fittings
- C900/C905/C907
- Perforated Pipe

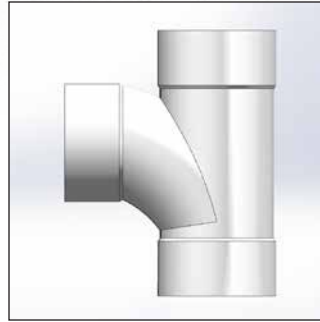
Solvent Weld BDS Fittings



Wye HXHXH 3" – 36"



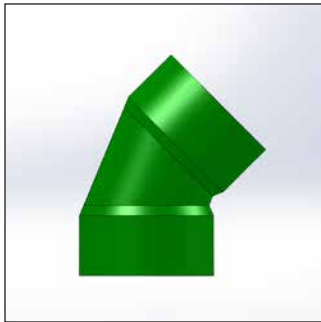
Tee HXHXH 3" – 36"



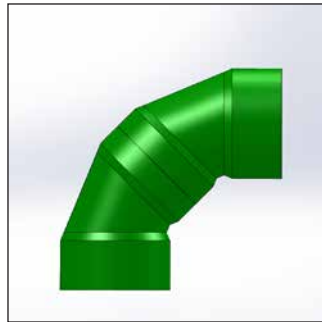
Tee-Wye HXHXH 3" – 36"



Bend 22½° HXH 3" – 36"



Bend 45° HXH 3" – 36"



Bend 90° HXH 4" – 36"
4" long version also available



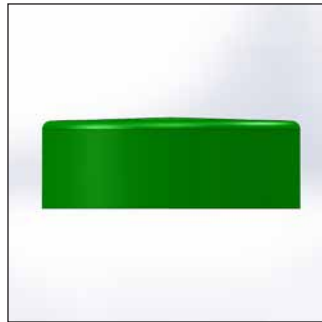
Bend 22½° HXS 3" – 36"



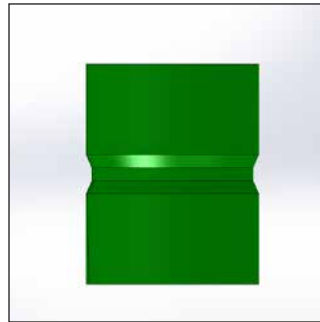
Bend 45° HXS 3" – 36"



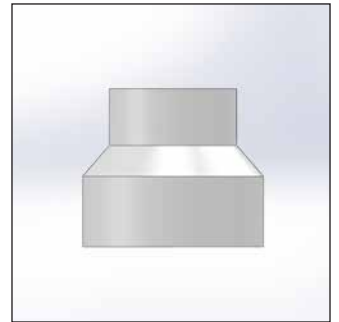
Bend 90° HXS 3" – 36"
Long version also available



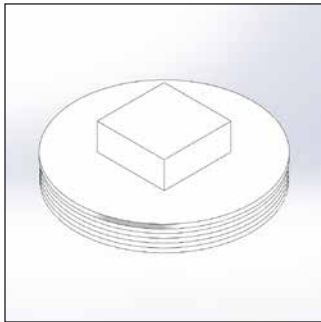
Cap 3" – 36"



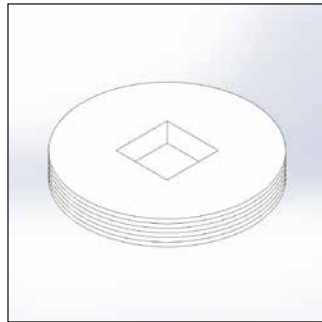
Stop Coupling 3" – 36"



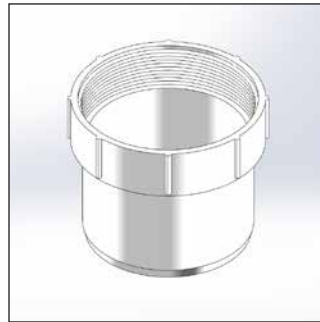
Reducing Coupling 3" – 36"



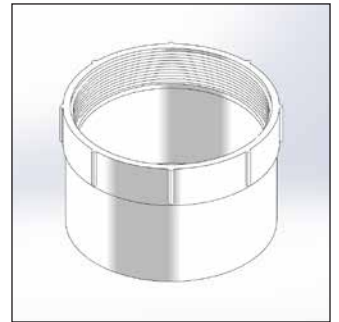
Threaded Plug Raised
3" – 8"



Threaded Plug Countersunk
4" – 6"



Cleanout Adapter FIPT X S
4" – 8"



Cleanout Adapter FIPT X H
4" – 8"



For more information on additional products and services offered by Galaxy Plastics please visit:

galaxyplastics.com

Gasketed Sewer Fittings



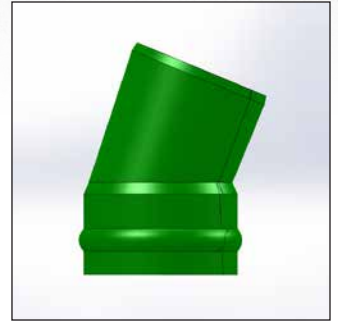
Wye GXGXG 4" – 42"



Tee GXGXG 4" – 42"



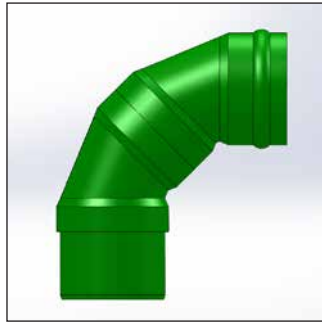
Tee-Wye GXGXG 4" – 42"



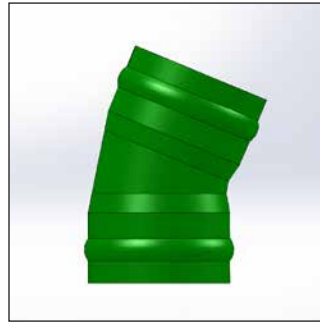
Bend 22½° GXS 4" – 42"



Bend 45° GXS 4" – 42"



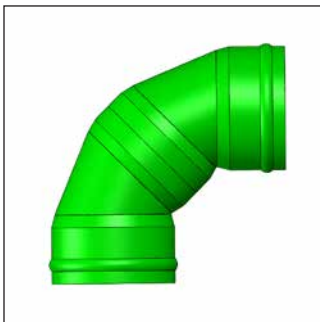
Bend 90° GXS 4" – 42"
4" long version also available



Bend 22½° GXG 4" – 42"



Bend 45° GXG 4" – 42"



Bend 90° GXG 4" – 42"
4" long version also available



Sweep Bend 22½° GXS 4" – 24"



Sweep Bend 45° GXS 4" – 24"



Sweep Bend 90° GXS 4" – 24"



Increaser GXS 4" – 42"



Increaser GXG 4" – 42"



Increaser Ecc. GXS 4" – 42"



Increaser Ecc. GXG 4" – 42"



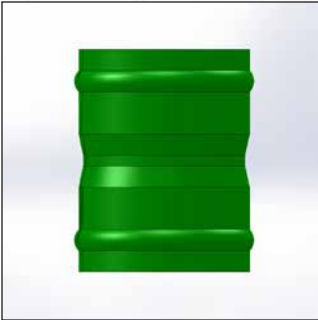
Gasketed Sewer Fittings



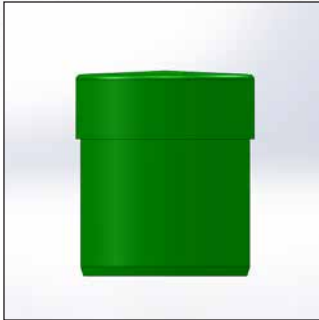
Cap 4"– 42"



Repair Coupling GXG 4"– 42"



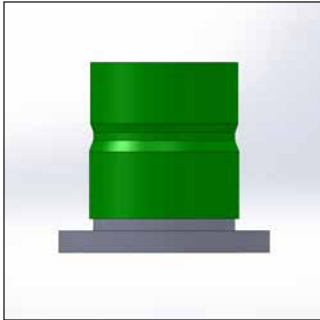
Stop Coupling GXG 4"– 42"



Spigot Plug 4"– 42"



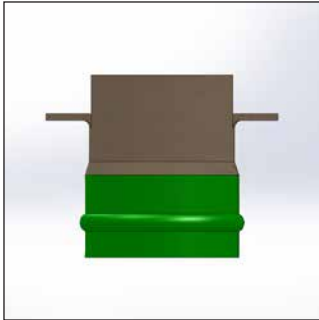
Flange Adapter GXF 4"– 42"



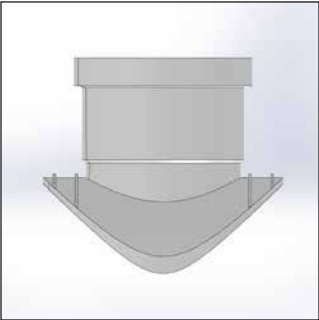
Flange Adapter HXF 4"– 42"



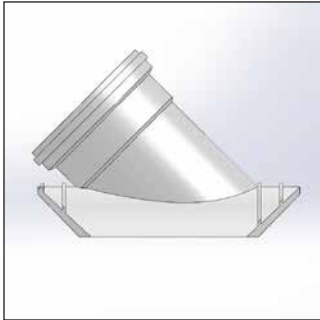
Sanded Manhole Adapter
4"– 42"



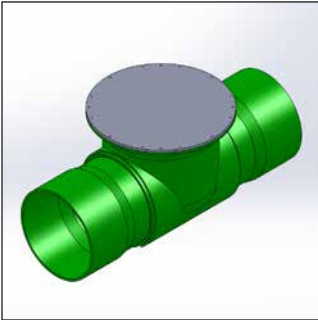
Sanded Wing Tip Adapter 4"– 42"



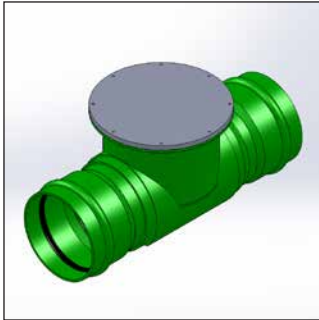
Saddle Tee 4"– 42"



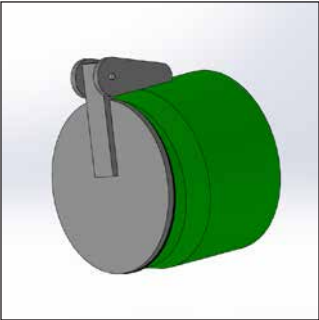
Saddle Wye 4"– 42"



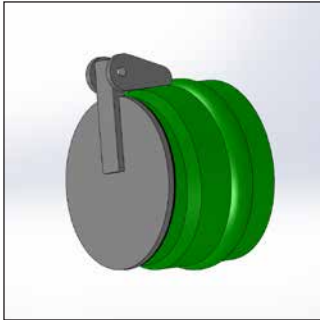
Inline Backwater Valve HXH
4"– 18"



Inline Backwater Valve GXG
4"– 18"



Terminal Backwater Valve H
4"– 42"



Terminal Backwater Valve G
4"– 42"

For more information on additional products and services offered by Galaxy Plastics please visit:

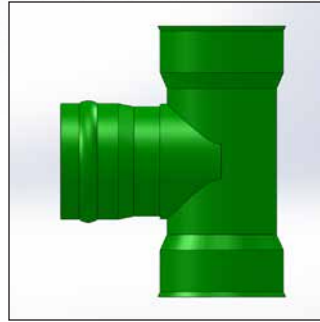
Open Profile (Rib) Fittings



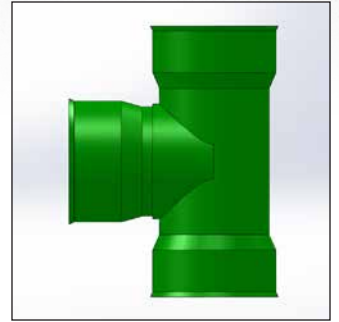
Wye HXHXG 8" – 36"



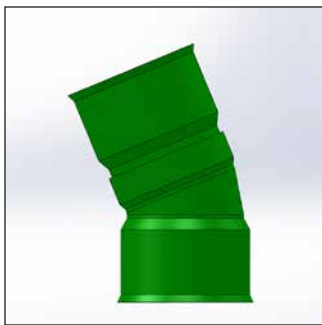
Wye HXHXH 8" – 36"



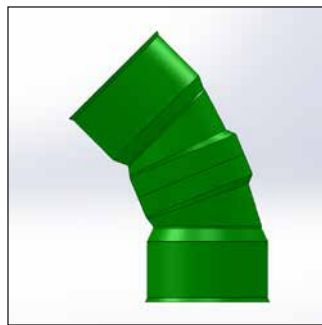
Tee HXHXG 8" – 36"



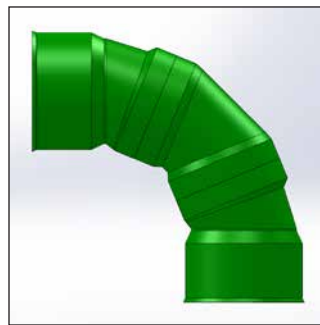
Tee HXHXH 8" – 36"



Bend 22½° HXH 8" – 36"



Bend 45° HXH 8" – 36"



Bend 90° HXH 8" – 36"



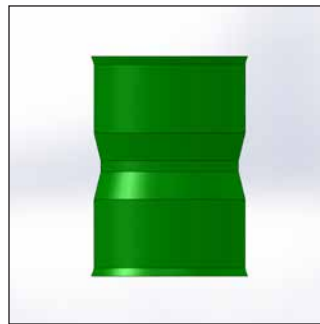
Reducer HXH 8" – 36"



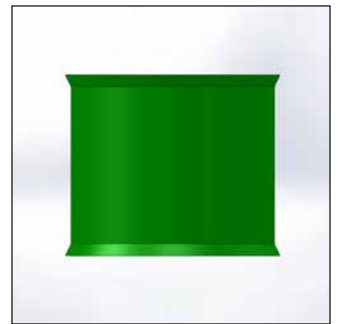
Reducer HXG 8" – 36"



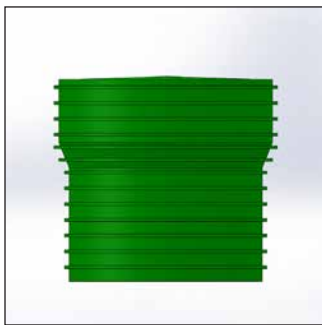
Cap 8" – 36"



Stop Coupling 8" – 36"



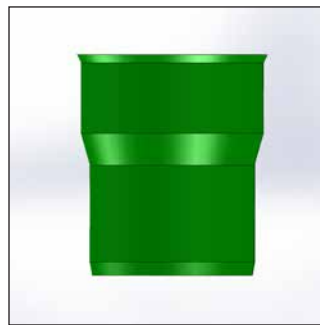
Repair Coupling 8" – 36"



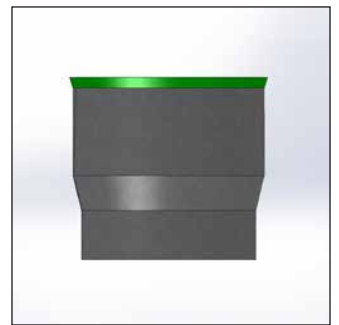
Spigot Plug 8" – 36"



Adapter Coupling HXG
8" – 36"



Adapter Coupling HXS
8" – 36"



Sanded Manhole Adapter
8" – 36"



Miscellaneous Fittings



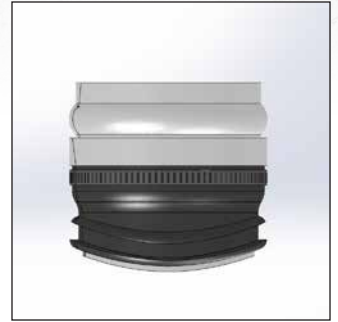
Inspection Chamber 4"– 8"



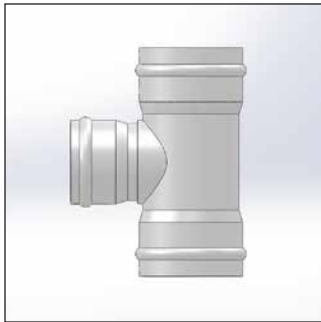
Locking Lid & Collar 8"



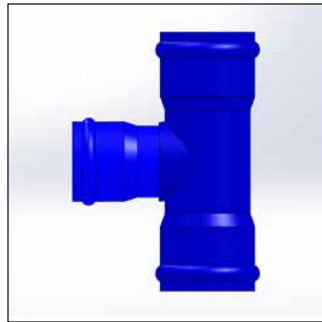
Corebell Adapter 4"–10"



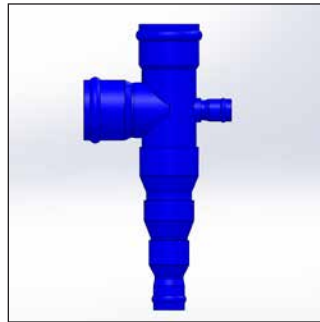
EZ Tee 4"–12"



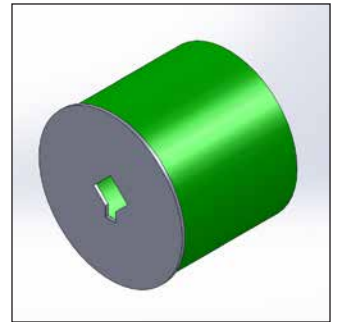
IPS Fittings 3"– 24"



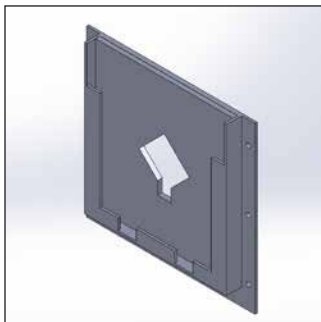
C900/905/C907 Fittings 4"– 48"



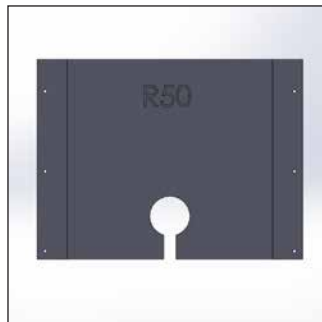
Custom Fabrication
3"– 48"



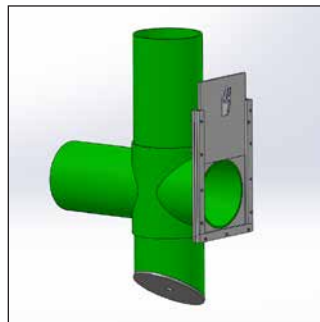
Plug Style Inlet Control Device
4"– 42"



Frame and Plate Inlet
Control Device 4"–12"



ICD Plate (Curved or Flat)



Flow Control

Galaxy Plastics takes pride in having earned a reputation for delivering quality fittings along with fast and reliable service. All of Galaxy Plastic's fittings are subjected to our quality control program with applicable products receiving the CSA approval sticker.

For more information on additional products and services offered by Galaxy Plastics please visit:

galaxyplastics.com

BRITISH COLUMBIA

Galaxy Plastics Ltd.

#9-30321 Fraser Highway
Abbotsford, BC V4X 1T3

877 808.1088 • FAX: 877 808.1288

ONTARIO

Galaxy Plastics Ltd.

120 Walker Dr.
Brampton, ON L6T 4G9

888 431.0511 • FAX: 905 951.2215



*For more information on additional products and services
offered by Galaxy Plastics please visit:*

galaxyplastics.com