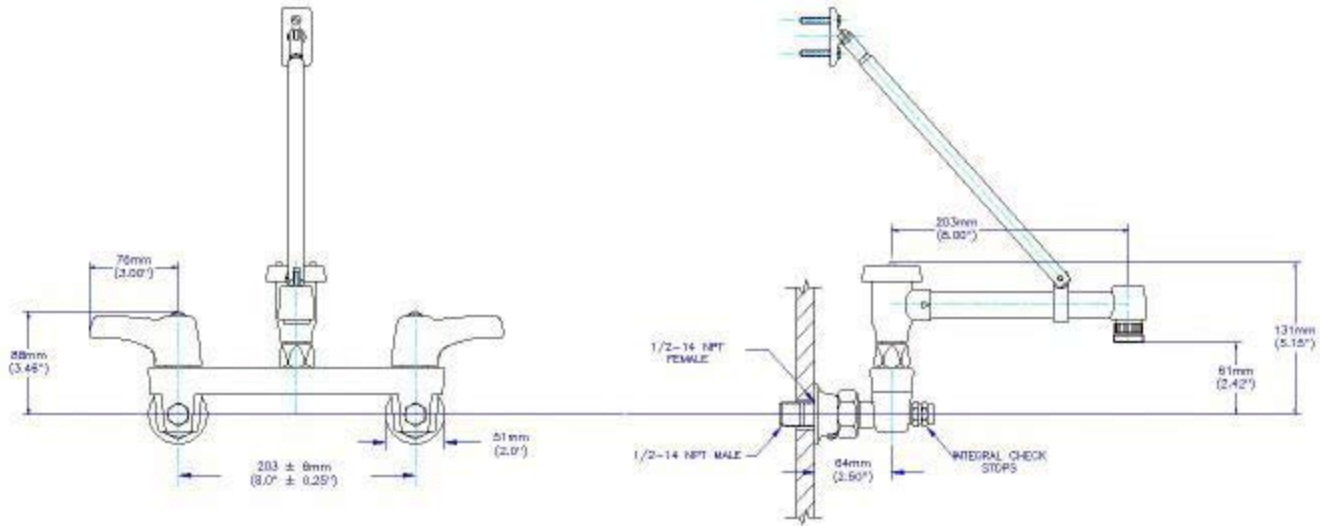




Project Name: Project No.: Model No.: 28T2385

Architect/Engineer Approval: Item No.:



INLETS: 1/2-14 NPT (FEMALE)
OR 1/2-14 NPT (MALE) - WITH SUPPLIED NIPPLE

General Description:

8" Wallmount WITH Integral Check Stops - TUF-TECKE, Spout# 3 - 267mm (10 1/2") Long Rigid Spout with Poll Hook, ADJUSTABLE Top/Bottom Brace, Outlet# 8 - Body mounted Angle Vacuum Breaker - Garden Hose End Outlet on spout, Handle# 3 - 76 mm (3") Lever Blade Handle-ADA Compliant-Metal-Color Indexed-Vandal Resistant screws

Date: Thursday, March 02, 2017

Generated by: - 1.0.15265

Base Version:

Delta reserves the right (1) to make changes in specifications and materials, and (2) to change or discontinue models, both without notice or obligation. Dimensions are for Reference. Measurement may vary plus or minus 8mm(0.25"). Mounting locations are suggested only. Check with local codes for requirements in your area. Some views are incomplete to show parts that are "in behind".