

SINCE

1864

**JENKINS**

®

**brands you trust.**



JENKINS® Ball Valves

[www.jenkinsvalves.com](http://www.jenkinsvalves.com)



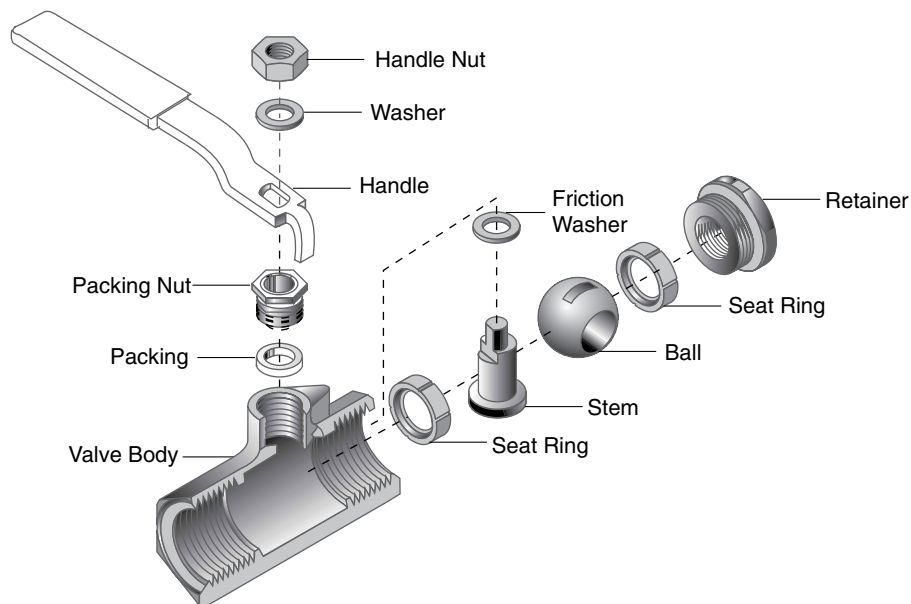
# Index

## Figure Number Index

<b>Fig No.</b>	<b>Page</b>
201J .....	4
202J .....	5
201SJ .....	6
202SJ .....	7
201CJ .....	8
202CJ .....	9
201CSJ .....	10
202CSJ .....	11

# Key Features, Options and Pressure-Temperature Ratings

Jenkins® ball valves are general purpose two-piece end entry ball valves that covers the full spectrum of industrial and commercial applications.



## Jenkins® Ball Valve Key Features and Options:

- **Blow-Out Proof Stem**

The internally loaded stem has an integral thrust collar which prevents stem removal while the valve is installed.

- **Adjustable Packing**

The packing may be tightened to compensate for wear throughout the life of the valve.

- **Lever Handle**

Heavy duty lever handles are standard for easy operation. All handles include a vinyl insulator sleeve for protection from high or low temperatures.

- **Options Include**

- Memory Stop
- Extension Stems
- Tee Handles
- Stainless Steel Lever Handles
- Locking Handles

- **CGA Approved**

Jenkins® threaded ends ball valves are Canadian Gas Association Approved.

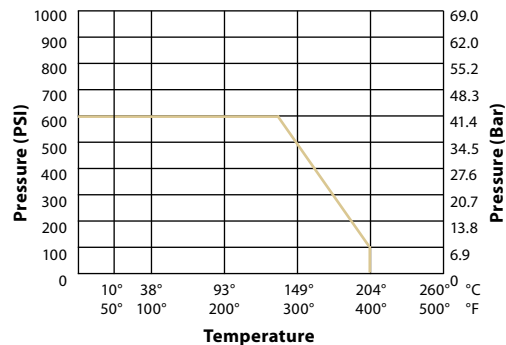
- **AGA Approved**

Jenkins® threaded end ball valves are American Gas Association Approved.

- **UL/FM Approved**

Figures 201J & 201SJ, size ¼" – 2" are Underwriter's Laboratory/Factory Mutual Approved.

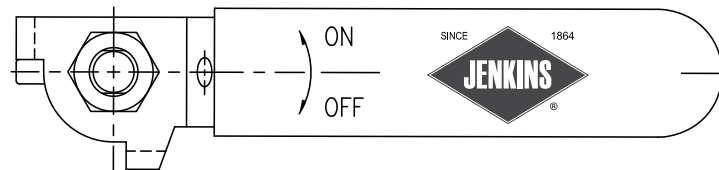
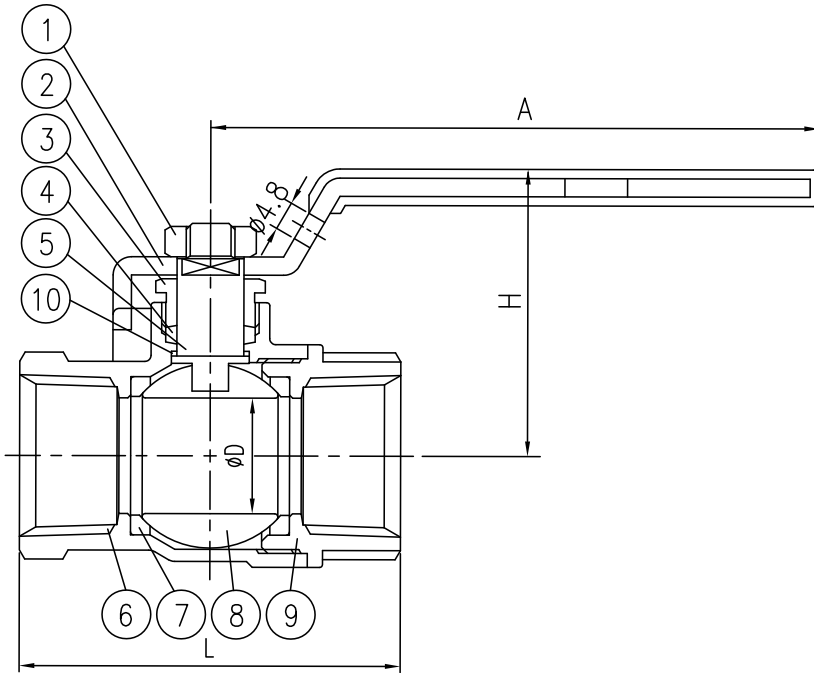
**Pressure-Temperature Ratings**



# 600 CWP/150 SWP • Full Port • Threaded Ends

## 201J

Forged Brass, 2-Piece Body, Meets MSS SP-110,  
 CSA/UL/FM Approval (½ - 2" only) NSF 61.8 (¼ - 4")



### Materials of Construction

No.	Description	Material
1	Nut	AISI-1010
2	Handle	A283-D
3	Stem Gland Screw	B16-C36000
4	Stem Packing	PTFE
5	Stem	B16-C36000
6	Body	B124-C37700 B584-C85700 (2" - 4")
7	Seat	PTFE
8	Ball	B16-C36000 or B124-C37700 (1" - 4")
9	End Plug	B124-C37700
10	Thrust Washer	PTFE (2" - 4")

### Dimensions and Weights

Inches (millimeters) - Pounds (kilograms)

Valve Size	Dimensions				Wt.
	A	D	H	L	
¼	1.97	0.35	1.26	1.69	0.35
	(50)	(9)	(32)	(43)	(0.16)
⅜	2.95	0.39	1.46	1.81	0.35
	(75)	(10)	(37)	(46)	(0.16)
½	2.95	0.50	1.50	2.13	0.42
	(75)	(13)	(38)	(54)	(0.19)
¾	3.94	0.75	1.85	2.48	0.84
	(100)	(19)	(47)	(63)	(0.38)
1	3.94	0.98	2.05	2.99	1.25
	(100)	(25)	(52)	(76)	(0.57)
1 ¼	4.92	1.25	2.36	3.35	1.83
	(125)	(32)	(60)	(85)	(0.83)
1 ½	4.92	1.50	2.56	3.62	2.49
	(125)	(38)	(65)	(92)	(1.13)
2	7.87	1.97	3.11	4.25	4.58
	(200)	(50)	(79)	(108)	(2.08)
2 ½	7.87	2.48	3.50	5.16	7.71
	(200)	(63)	(89)	(131)	(3.50)
3	7.87	2.95	3.86	5.91	10.64
	(200)	(75)	(98)	(150)	(4.83)
4	7.87	3.97	3.86	6.26	13.22
	(200)	(96)	(98)	(159)	(6.00)



MH46785  
Listed  
2L73



**Approvals:**  
 UL Approved

- YSDT (LP-Gas Shut-off valves)
- YRBX (Flammable Liquid Shut-off valves)
- MHKZ (Manual valves)

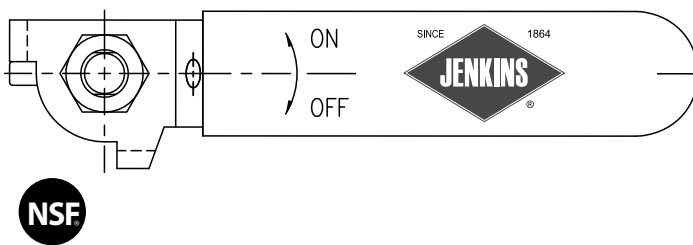
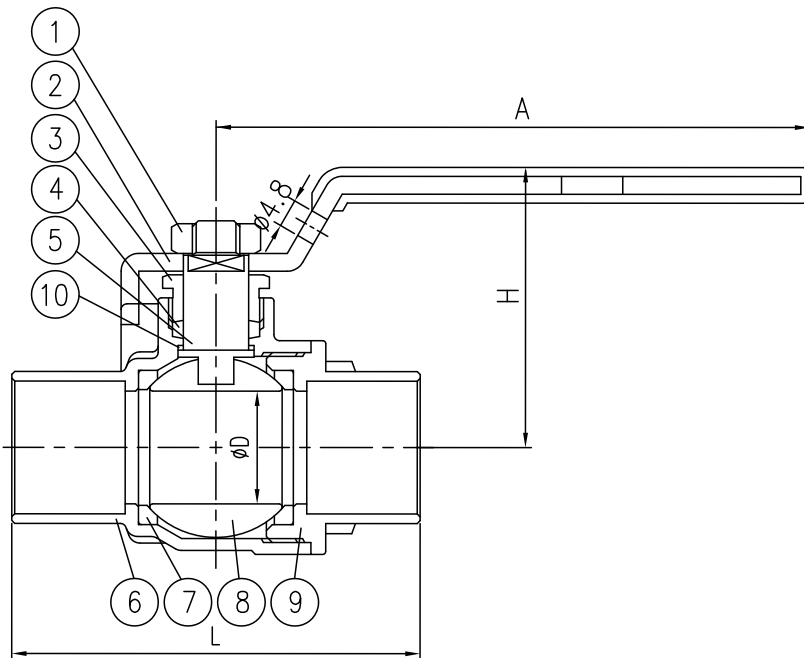
CSA Approved

- CLASS 3371 94 - Manually Operated Metallic for Use in Piping Systems Certified to US Standards
- CLASS 3371 92 - Manually Operated Metallic for Use in House Piping Systems - Certified to US Standards
- CLASS 3371 88 - General Use - Certified to US Standards
- CLASS 3371 81 - Appliance Connector - Certified to US Standards
- CLASS 3371 12 - Manually Operated for Use on Piping
- CLASS 3371 10 - Lever Operated Non-Lubricated Shut-off
- CLASS 3371 08 - General Use
- CLASS 3371 01 - Appliance Connector
- CLASS 3371 10
- CLASS 3371 90

# 600 CWP • Full Port • Solder Ends

## 202J

Forged Brass, 2-Piece Body, Meets MSS SP-110,  
NSF 61.8 (1/2" - 3")



### Materials of Construction

No.	Description	Material
1	Nut	AISI-1010
2	Handle	A283-D
3	Stem Gland Screw	B16-C36000
4	Stem Packing	PTFE
5	Stem	B16-C36000
6	Body	B124-C37700 B584-C85700 (2" - 3")
7	Seat	PTFE
8	Ball	B16-C36000 or B124-C37700 (1" - 3")
9	End Plug	B124-C37700
10	Thrust Washer	PTFE (2" - 3")

### Dimensions and Weights

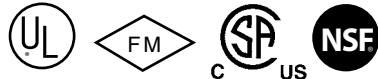
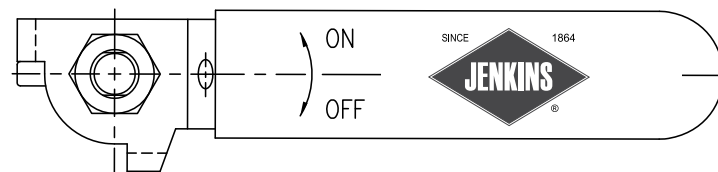
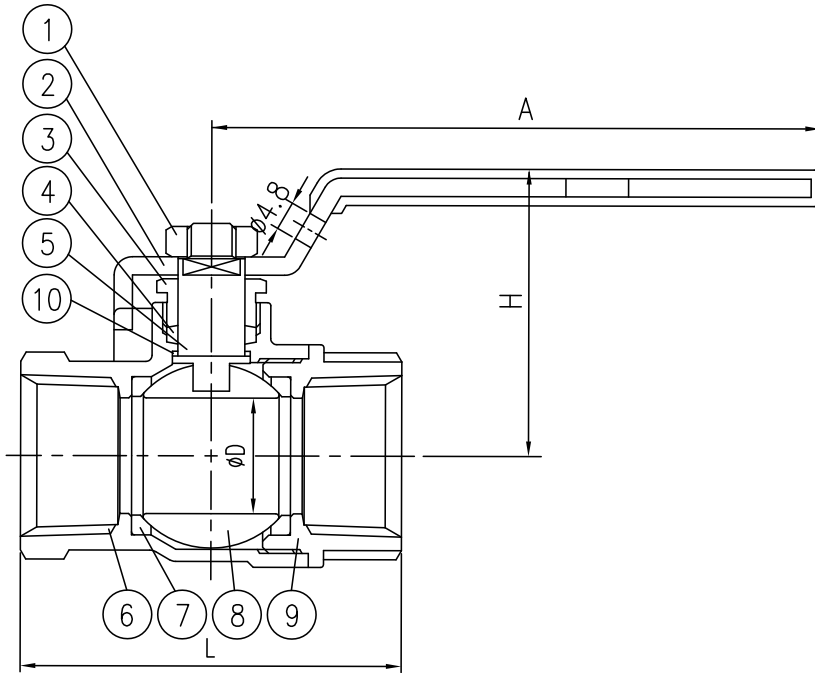
Inches (millimeters) - Pounds (kilograms)

Valve Size	Dimensions				Wt.
	A	D	H	L	
1/2	2.95	0.50	1.50	1.93	0.37
	(75)	(13)	(38)	(49)	(0.17)
3/4	3.94	0.75	1.85	2.72	0.79
	(100)	(19)	(47)	(69)	(0.36)
1	3.94	0.98	2.05	3.31	1.16
	(100)	(25)	(52)	(84)	(0.53)
1 1/4	4.92	1.25	2.36	3.78	1.65
	(125)	(32)	(60)	(96)	(0.75)
1 1/2	4.92	1.50	2.56	4.29	2.20
	(125)	(38)	(65)	(109)	(1.00)
2	7.87	1.97	3.11	5.35	4.40
	(200)	(50)	(79)	(136)	(2.00)
2 1/2	7.87	2.48	3.50	6.18	6.90
	(200)	(63)	(89)	(157)	(3.13)
3	7.87	2.95	3.86	7.09	9.92
	(200)	(75)	(98)	(180)	(4.50)

# 600 CWP/150 SWP • Full Port • Threaded Ends

## 201SJ

**Stainless Steel Ball and Stem, 2-Piece Body, Meets MSS SP-110, CSA/UL/FM Approval (1/2 - 2" only) NSF 61.8 (1/4 - 4")**



MH46785  
Listed  
2L73

**Approvals:**  
UL Approved

- YSDT (LP-Gas Shut-off valves)
- YRBX (Flammable Liquid Shut-off valves)
- MHKZ (Manual valves)

CSA Approved

- CLASS 3371 94 - Manually Operated Metallic for Use in Piping Systems Certified to US Standards
- CLASS 3371 92 - Manually Operated Metallic for Use in House Piping Systems - Certified to US Standards
- CLASS 3371 88 - General Use - Certified to US Standards
- CLASS 3371 81 - Appliance Connector - Certified to US Standards
- CLASS 3371 12 - Manually Operated for Use on Piping
- CLASS 3371 10 - Lever Operated Non-Lubricated Shut-off
- CLASS 3371 08 - General Use
- CLASS 3371 01 - Appliance Connector
- CLASS 3371 10
- CLASS 3371 90

## Materials of Construction

No.	Description	Material
1	Nut	AISI-1010
2	Handle	A283-D
3	Stem Gland Screw	B16-C36000
4	Stem Packing	PTFE
5	Stem	Type 316 SS
6	Body	B124-C37700 B584-C85700 (2" - 4")
7	Seat	PTFE
8	Ball	Type 316 SS
9	End Plug	B124-C37700
10	Thrust Washer	PTFE (2" - 4")

## Dimensions and Weights

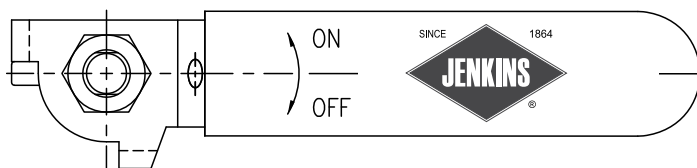
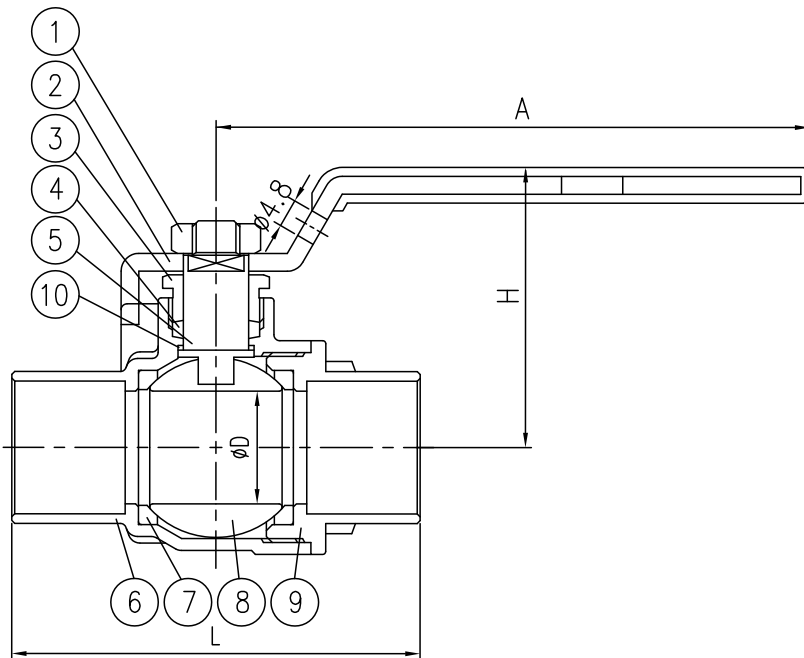
Inches (millimeters) - Pounds (kilograms)

Valve Size	Dimensions				Wt.
	A	D	H	L	
1/4	1.97	0.35	1.26	1.69	0.35
	(50)	(9)	(32)	(43)	(0.16)
3/8	2.95	0.39	1.46	1.81	0.35
	(75)	(10)	(37)	(46)	(0.16)
1/2	2.95	0.50	1.50	2.13	0.42
	(75)	(13)	(38)	(54)	(0.19)
3/4	3.94	0.75	1.85	2.48	0.84
	(100)	(19)	(47)	(63)	(0.38)
1	3.94	0.98	2.05	2.99	1.25
	(100)	(25)	(52)	(76)	(0.57)
1 1/4	4.92	1.25	2.36	3.35	1.83
	(125)	(32)	(60)	(85)	(0.83)
1 1/2	4.92	1.50	2.56	3.62	2.49
	(125)	(38)	(65)	(92)	(1.13)
2	7.87	1.97	3.11	4.25	4.58
	(200)	(50)	(79)	(108)	(2.08)
2 1/2	7.87	2.48	3.50	5.16	7.71
	(200)	(63)	(89)	(131)	(3.50)
3	7.87	2.95	3.86	5.91	10.64
	(200)	(75)	(98)	(150)	(4.83)
4	7.87	3.97	3.86	6.26	13.22
	(200)	(96)	(98)	(159)	(6.00)

# 600 CWP • Full Port • Solder Ends

## 202SJ

**Stainless Steel Ball and Stem, 2-Piece Body, Meets MSS SP-110, NSF 61.8 (1/2" - 3")**



### Materials of Construction

No.	Description	Material
1	Nut	AISI-1010
2	Handle	A283-D
3	Stem Gland Screw	B16-C36000
4	Stem Packing	PTFE
5	Stem	Type 316 SS
6	Body	B124-C37700 B584-C85700 (2" - 3")
7	Seat	PTFE
8	Ball	Type 316 SS
9	End Plug	B124-C37700
10	Thrust Washer	PTFE (2" - 3")

### Dimensions and Weights

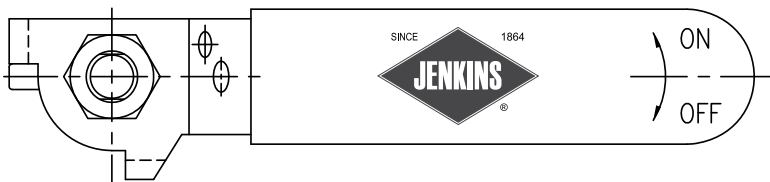
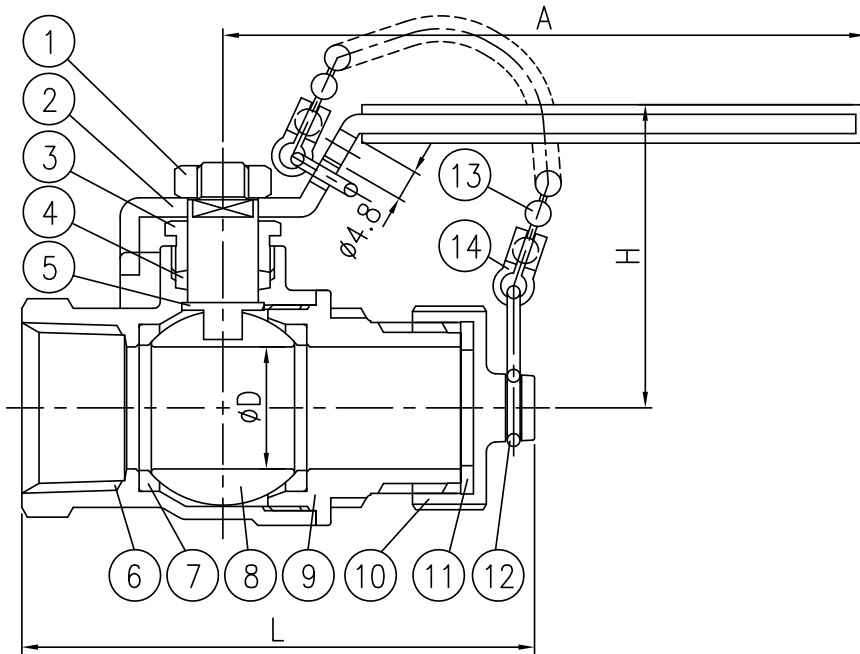
Inches (millimeters) - Pounds (kilograms)

Valve Size	Dimensions				Wt.
	A	D	H	L	
1/2	2.95 (75)	0.50 (13)	1.50 (38)	1.93 (49)	0.37 (0.17)
	3.94 (100)	0.75 (19)	1.85 (47)	2.72 (69)	0.79 (0.36)
1	3.94 (100)	0.98 (25)	2.05 (52)	3.31 (84)	1.16 (0.53)
	4.92 (125)	1.25 (32)	2.36 (60)	3.78 (96)	1.65 (0.75)
1 1/2	4.92 (125)	1.50 (38)	2.56 (65)	4.29 (109)	2.20 (1.00)
	7.87 (200)	1.97 (50)	3.11 (79)	5.35 (136)	4.40 (2.00)
2	7.87 (200)	2.48 (63)	3.50 (89)	6.18 (157)	6.90 (3.13)
	7.87 (200)	2.95 (75)	3.86 (98)	7.09 (180)	9.92 (4.50)

# 600 CWP • Full Port • Threaded Ends

## 201CJ

Forged Brass, Hose Cap and Chain, Pressure Rated  
 Hose Cap\*, 2-Piece Body, Meets MSS SP-110



### Materials of Construction

No.	Description	Material
1	Nut	AISI-1010
2	Handle	A283-D
3	Stem Gland Screw	B16-C36000
4	Stem Packing	PTFE
5	Stem	B16-C36000
6	Body	B124-C37700
7	Seat	PTFE
8	Ball Disc	B16-C36000
9	End Plug	B124-C37700
10	Cap Nut	B124-C37700
11	Nut Packing	NBR
12	Ring	A227M
13	Chain	A283-D
14	Plate	A283-D

\* Hose cap pressure rated to 150 psi W.O.G.

### Dimensions and Weights

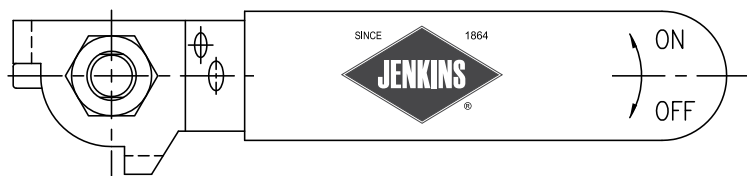
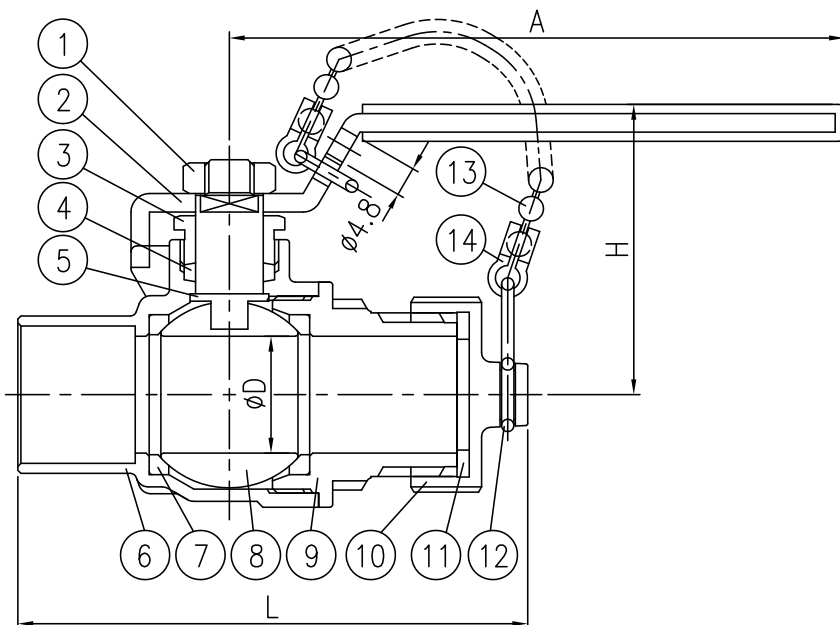
Inches (millimeters) - Pounds (kilograms)

Valve Size	Dimensions				Wt.
	A	D	H	L	
½	2.95	.50	1.50	2.83	0.57
	(75)	(13)	(38)	(72)	(0.26)
¾	3.94	.75	1.85	3.15	1.03
	(100)	(19)	(47)	(80)	(0.47)

# 600 CWP • Full Port • Solder Ends

## 202CJ

Forged Brass, Hose Cap and Chain, Pressure Rated  
 Hose Cap\*, 2-Piece Body, Meets MSS SP-110



### Materials of Construction

No.	Description	Material
1	Nut	AISI-1010
2	Handle	A283-D
3	Stem Gland Screw	B16-C36000
4	Stem Packing	PTFE
5	Stem	B16-C36000
6	Body	B124-C37700
7	Seat	PTFE
8	Ball Disc	B16-C36000
9	End Plug	B124-C37700
10	Cap Nut	B124-C37700
11	Nut Packing	NBR
12	Ring	A227
13	Chain	A283-D
14	Plate	A283-D

\* Hose cap pressure rated to 150 psi W.O.G.

### Dimensions and Weights

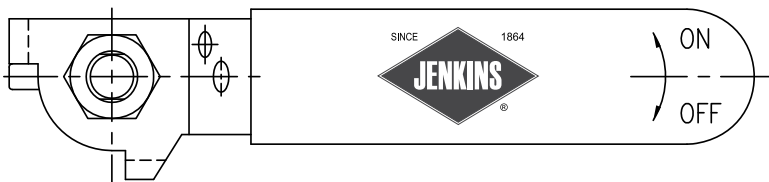
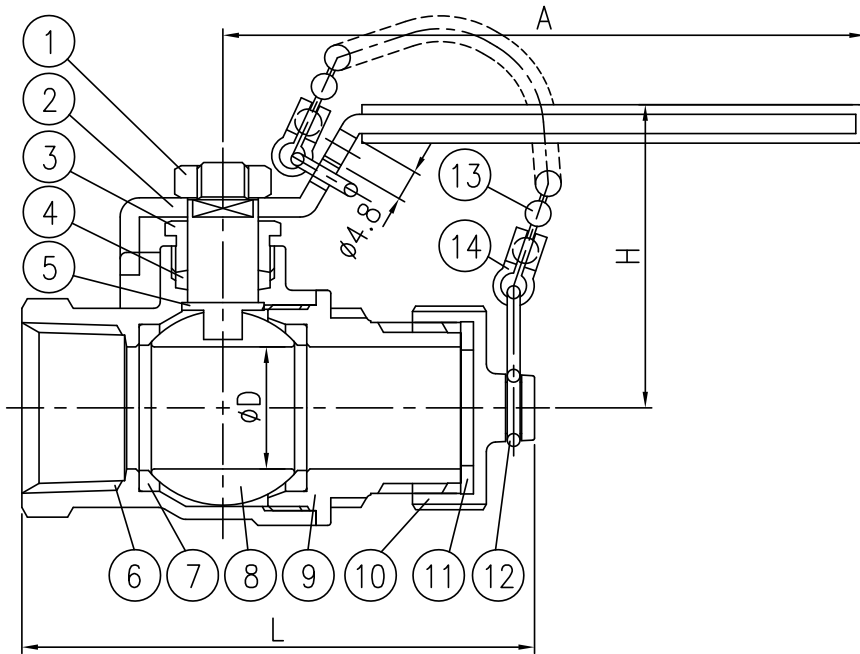
Inches (millimeters) - Pounds (kilograms)

Valve Size	Dimensions				Wt.
	A	D	H	L	
1/2	2.95	.50	1.50	2.71	0.57
	(75)	(13)	(38)	(69)	(0.26)
3/4	3.94	.75	1.85	3.27	0.99
	(100)	(19)	(47)	(83)	(0.45)

# 600 CWP • Full Port • Threaded Ends

## 201CSJ

**Stainless Steel Ball and Trim, Hose Cap and Chain, Pressure Rated Hose Cap\*, 2-Piece Body, Meets MSS SP-110**



### Materials of Construction

No.	Description	Material
1	Nut	AISI-1010
2	Handle	A283-D
3	Stem Gland Screw	B16-C36000
4	Stem Packing	PTFE
5	Stem	Type 316 SS
6	Body	B124-C37700
7	Seat	PTFE
8	Ball Disc	Type 316 SS
9	End Plug	B124-C37700
10	Cap Nut	B124-C37700
11	Nut Packing	NBR
12	Ring	A227M
13	Chain	A283-D
14	Plate	A283-D

\* Hose cap pressure rated to 150 psi W.O.G.

### Dimensions and Weights

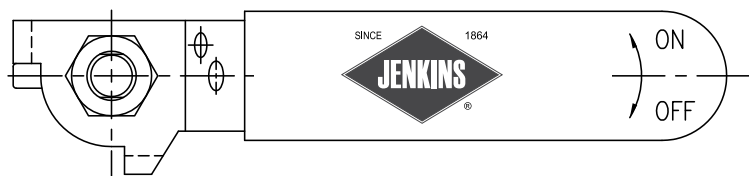
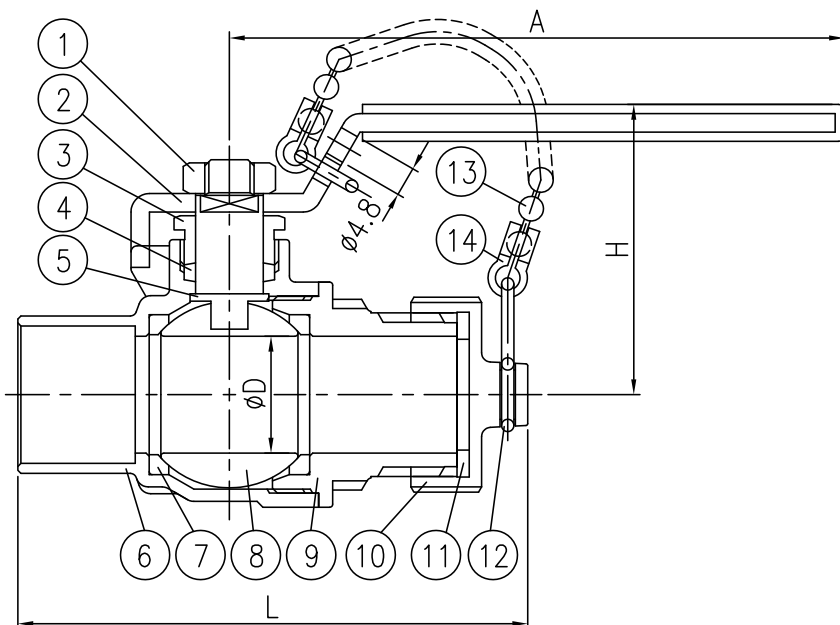
Inches (millimeters) - Pounds (kilograms)

Valve Size	Dimensions				Wt.
	A	D	H	L	
½	2.95	.50	1.50	2.83	0.57
	(75)	(13)	(38)	(72)	(0.26)
¾	3.94	.75	1.85	3.15	1.03
	(100)	(19)	(47)	(80)	(0.47)

# 600 CWP • Full Port • Solder Ends

## 202CSJ

**Stainless Steel Ball and Trim, Hose Cap and Chain, Pressure Rated Hose Cap\*, 2-Piece Body, Meets MSS SP-110**



### Materials of Construction

No.	Description	Material
1	Nut	AISI-1010
2	Handle	A283-D
3	Stem Gland Screw	B16-C36000
4	Stem Packing	PTFE
5	Stem	Type 316 SS
6	Body	B124-C37700
7	Seat	PTFE
8	Ball Disc	Type 316 SS
9	End Plug	B124-C37700
10	Cap Nut	B124-C37700
11	Nut Packing	NBR
12	Ring	A227
13	Chain	A283-D
14	Plate	A283-D

\* Hose cap pressure rated to 150 psi W.O.G.

### Dimensions and Weights

Inches (millimeters) - Pounds (kilograms)

Valve Size	Dimensions				Wt.
	A	D	H	L	
1/2	2.95	.50	1.50	2.71	0.57
	(75)	(13)	(38)	(69)	(0.26)
3/4	3.94	.75	1.85	3.27	0.99
	(100)	(19)	(47)	(83)	(0.45)



CRANE Energy Flow Solutions®

CRANE Energy Global Headquarters  
4526 Research Forest Drive, Suite 400  
The Woodlands, Texas 77381 U.S.A.  
Tel.: (1) 936-271-6500  
Fax.: (1) 936-271-6510

Jenkins Customer Service  
354 Elgin Street  
Brantford, Ontario N3S 7P9 Canada  
Tel.: 800-563-6302  
Tel.: 519-759-3911  
Fax.: 519-759-7970

[www.craneenergy.com](http://www.craneenergy.com)



Energy Flow Solutions



EG-JK-CT-EN-L16-23-1202 (CV-904)

Crane Co., and its subsidiaries cannot accept responsibility for possible errors in catalogues, brochures, other printed materials, and website information. Crane Co. reserves the right to alter its products without notice, including products already on order provided that such alteration can be made without changes being necessary in specifications already agreed. All trademarks in this material are property of the Crane Co. or its subsidiaries. The Crane and Crane brands logotype (Aloyco®, Center Line®, Compac-Noz®, Crane®, Duo-Chek®, Flowseal®, Jenkins®, Krombach®, Noz-Chek®, Pacific Valves®, Stockham®, Triangle®, Uni-Chek®) are registered trademarks of Crane Co. All rights reserved.