

## FRC Series



### Fire Rated Ceiling Access Doors

**FRC Series access doors** are rated by Underwriters Laboratories for 1-1/2 hours, "B" label in walls, Warnock Hersey for 3 hours in ceilings and 2 hours in walls, CAN/ULC S104 for 2 hours in walls. The FRC Series Doors should be utilized when providing access in fire rated walls and ceilings. FRC Series Doors have heavy-duty spring closures to ensure positive latching when panel closes. An interior latch release is also included on all doors to enable unlocking from inside.

**Door** is fabricated from 20 gage, galvanized steel with a white prime coat finish. Door panel is provided with 2" of insulation in a sandwich type construction.

**Frame** is fabricated from 16 gage, galvanized steel with a white prime coat finish and provided with masonry anchors and bolt holes.

**Hinge** is fully concealed and mounted on the long side of the rectangular door panel.

**Exterior latch** is a dual purpose lock that features a knurled knob and key operation. Both are provided at time of shipping.

**Interior latch release slide** is included enabling door to be opened from the inside.

### Guide Specification

Provide Elmdor® FRC Series, Fire Rated Ceiling Access Doors (specify model number and options). Access door frame shall be fabricated from 16 gage galvanized steel with a white prime coat finish and provided with masonry anchors and bolt holes. Access door panel shall be fabricated from 20 gage, galvanized steel with a white prime coat finish. Door shall be filled with 2" thick, fire rated insulation, and be welded pan type. Access door shall have automatic closer, be self-latching and contain interior latch release. Exterior latching shall be recessed and universal self-latching bolt, operated by either a knurled knob or flush key. Finish shall be a white prime coat suitable for painting.

Underwriters Laboratories classification shall be: Classified access frame and fire door assembly 1-1/2 hours, "B" Label. Meets ANSI-UL 10B standard. Finish shall be a white prime coat suitable for painting.



Member of U.S. Green  
Building Council

FRC

Revised: 07/18/16



**MODEL NUMBER AND OPTIONS SELECTION**

**BASE MODEL NUMBER**

FRC Fire Rated Ceiling Access Door

**Suffix Options**

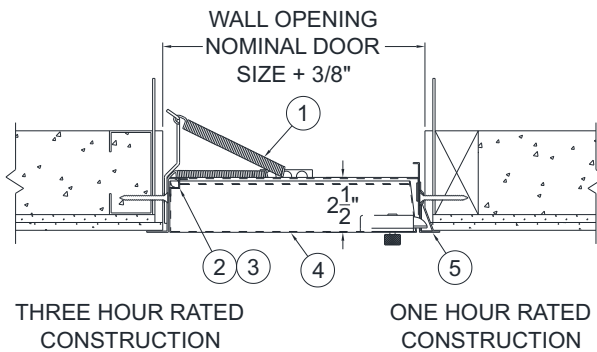
- GB Galvanized Drywall Bead
- MLP Mortise Cylinder Lock (Prep)
- SS Stainless Steel Construction (Type 304 No. 4 Satin Finish)

**STANDARD AVAILABLE SIZES**

Special sizes available upon request.

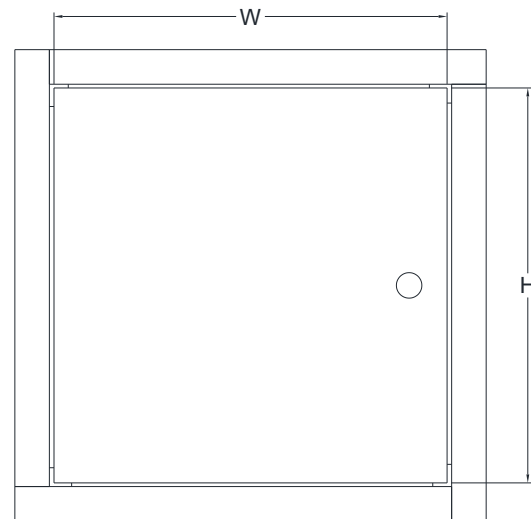
NOMINAL DOOR SIZE (W X H)	CEILING OPENING	WALL OPENING	LATCHES	WEIGHT
FRC 8" x 8"	9-5/8" x 9-5/8"	8-3/8" x 8-3/8"	1	11 lbs.
FRC 10" x 10"	11-5/8" x 11-5/8"	10-3/8" x 10-3/8"	1	12 lbs.
FRC 12" x 12"	13-5/8" x 13-5/8"	12-3/8" x 12-3/8"	1	15 lbs.
FRC 14" x 14"	15-5/8" x 15-5/8"	14-3/8" x 14-3/8"	1	17 lbs.
FRC 16" x 16"	17-5/8" x 17-5/8"	16-3/8" x 16-3/8"	1	18 lbs.
FRC 18" x 18"	19-5/8" x 19-5/8"	18-3/8" x 18-3/8"	1	20 lbs.
FRC 18" x 24"	19-5/8" x 25-5/8"	18-3/8" x 24-3/8"	1	26 lbs.
FRC 20" x 20"	21-5/8" x 21-5/8"	20-3/8" x 20-3/8"	1	24 lbs.
FRC 22" x 30"	23-5/8" x 31-5/8"	22-3/8" x 30-3/8"	2	32 lbs.
FRC 22" x 36"	23-5/8" x 37-5/8"	22-3/8" x 36-3/8"	2	40 lbs.
FRC 24" x 24"	25-5/8" x 25-5/8"	24-3/8" x 24-3/8"	1	28 lbs.
FRC 24" x 36"	25-5/8" x 37-5/8"	24-3/8" x 36-3/8"	2	40 lbs.

Note: On sizes 16" x 16" and larger, an extra spring is supplied with the door and must be attached from back of door pan to framing, or floor above, in such a manner to ensure that door is self closing.



**SIDE VIEW**

- 1. LATCH SPRING
- 2. HINGE BRACKET
- 3. HINGE PIN
- 4. DOOR
- 5. FRAME



**FRONT VIEW**

**WARNING:** Cancer and Reproductive Harm - [www.P65Warnings.ca.gov](http://www.P65Warnings.ca.gov)

Dimensions are subject to manufacturer's tolerance of plus or minus 1/4". Elmdor/Stoneman assumes no responsibility for use of void or suspended data. Please visit [www.elmdorstoneman.com](http://www.elmdorstoneman.com) for most current specifications. © Copyright 2009 Elmdor/Stoneman, City of Industry, CA, A Division of Acorn Engineering Company.

**SELECTION SUMMARY & APPROVAL FOR MANUFACTURING**

Model Number & Options _____	Quantity _____
Company _____	Date _____
Contact _____	Title _____
Approval for Manufacturing/Signature _____	

**FRC**

Revised: 08/31/18