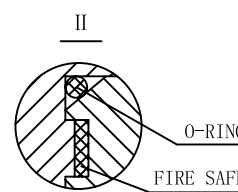
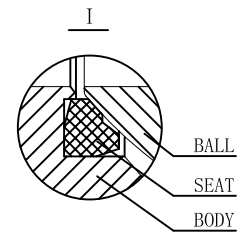
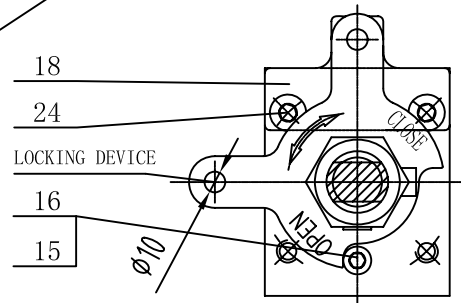
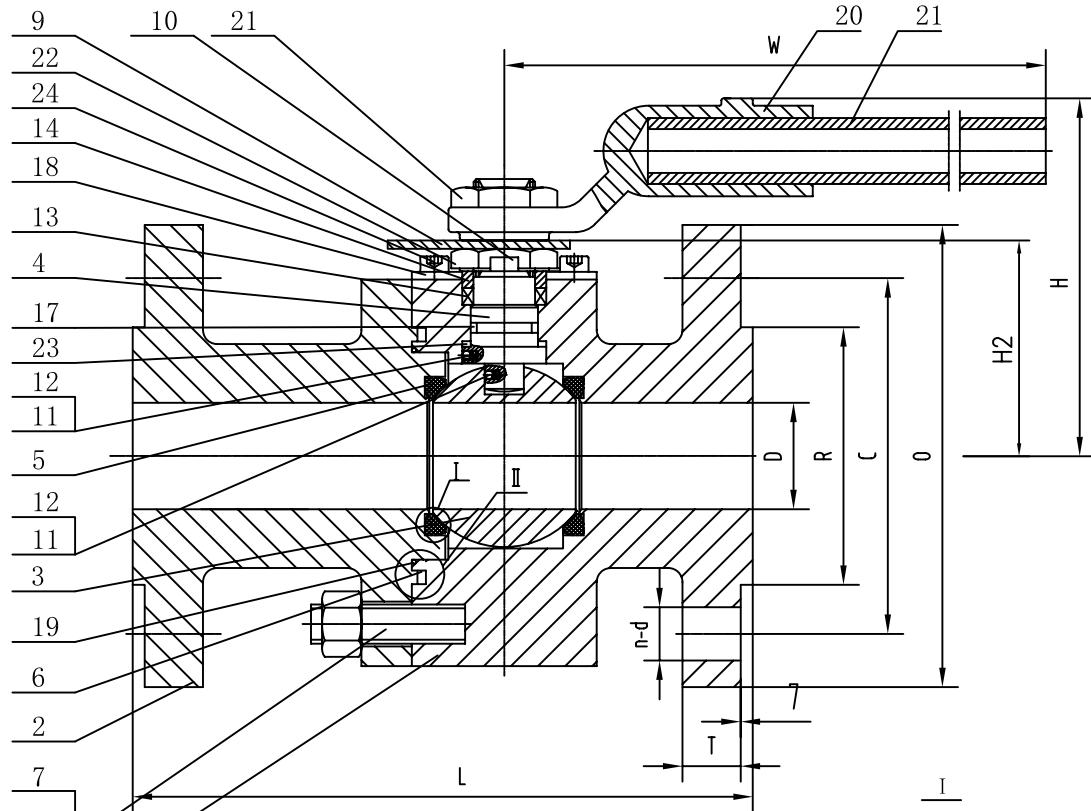


Drawings are not to scale



ITEM	NAME	EXP TRIM	SS TRIM
1	BODY	A350 LF2 CL 1	A350 LF2 CL 1
2	END CAP	A350 LF2 CL 1	A350 LF2 CL 1
3	BALL	A350 LF2 CL 1+0.075mm ENP	A182 F316
4	STEM	A29 4140+0.075mm ENP	17-4PH
5	SEAT	DEVLON V	DEVLON V
6	FIRE SAFE GASKET	GRAPHITE+316SS	GRAPHITE+316SS
7	NUT	A194 7M	A194 7M
8	STUD	A320 L7M	A320 L7M
9	LIMIT STOP PLATE	A36+ENP	A36+ENP
10	LOCKING TAB WASHER	304SS	304SS
11	ANTISTATIC BALL	A276 316	A276 316
12	ANTISTATIC SPRING	A276 316	A276 316
13	FIRE SAFE PACKING	GRAPHITE+316SS	GRAPHITE+316SS
14	PACKING GLAND RING	A276 304	A276 316
15	ALLEN HEAD BOLT	A320 L7M	A320 L7M
16	SPRING WASHER	AISI 1566	AISI 1566
17	STEM SEAL O-RING	HNBR-LT (AED)	HNBR-LT (AED)
18	LOCKING PLATE	A36+Zn	A36+Zn
19	BODY SEAL O-RING	HNBR-LT (AED)	HNBR-LT (AED)
20	LEVER HEAD	A216 WCB	A216 WCB
21	LEVER	AISI 1020	AISI 1020
22	HEX HEAD NUTS	A194 7M	A194 7M
23	THRUST WASHER	PEEK	PEEK
24	ALLEN HEAD BOLT	A193 B7M	A193 B7M

Pressure Tests per API 6D Rev 24 and ISO 5208 Rev 2008

		CLASS 1500	TEST DURATION			
TEST PRESSURE	SHELL TEST	38.8 (5628)	MPa (Psi)	2"	2	min
	HP SEAT TEST	28.5 (4134)		2"	2	
	LP AIR SEAT TEST	0.6 (87)		2"	2	
Minimum Service Temperature				-46° C		

DESIGN STD.	CSA Z245.15-13 ; API 608 Rev 2012 API 6D Rev 24 ; ISO 17292 Rev 2004 CSA B51-09 Rev 2009		
PRES. & TEMP.	ASME B16.34 Rev 2013	END FLANGES	ASME B16.5 Rev 2013
FACE TO FACE	ASME B16.10 Rev 2009	F. S. DESIGN	ISO 10497 2010; API 607 2016
MARKING	MSS SP-25 Rev 2013	SOUR SERVICE	NACE MR0175 Rev 2015
QUALITY	MSS SP-55 Rev 2011		ISO 15156 Rev 2015
INSPECTION	API 598 Rev 2016	DOCUMENTS	BS/EN 10204-3.1 Rev 2004

CUSTOMER INFORMATION	
REF.	
ORDER	
PROJECT	
CUSTOMER	
APPROVE	



DRAWING INFORMATION	
Drawing number	Q41F1500A 2
Revision number	008
Revision date	2017-9-4
Design	WCJ
Approval	ZHL

FLOATING BALL VALVE
2" ASME 1500 RF
A350 LF2 CL 1
LOW TEMPERATURE SOUR SERVICE

All lengths in mm(inches), all weights in kilograms(lb)

SIZE	L	D	R	C	O	n-d	T	W	H	H2	WEIGHT
2"	368(14.49)	49(1.93)	92.1(3.63)	165.1(6.5)	215(8.46)	8-25.5(1)	38.1(1.5)	890(35.04)	187(7.36)	116(4.57)	40(88.18)