

Features

- 122 airjets release thousands of heated bubbles that surround, support, and massage the body
- Variable-speed blower lets you adjust massage intensity to 18 levels
- Built-in heater
- Automatic and manual purge cycles remove residual water from air channels after use
- 60-minute automatic shutoff timer
- Slotted overflow allows for deep soaking
- Integral lumbar support
- Keypad control
- Textured bottom surface

Material

- Acrylic

Technology

- Heated BubbleMassage™ technology warms and humidifies air before it enters the bath

Installation

- Drop-in or undermount
- Reversible drain
- 120 V electrical requirement allows for easy installation with standard outlet
- Requires one dedicated circuit

Required Products/Accessories

K-7271 Brass Slotted Overflow Bath Drain

or

K-7272 PVC Slotted Overflow Bath Drain

Recommended Products/Accessories

K-534 Under-Mount Installation Kit

K-1491 Bath/Whirlpool Pillow

K-1601 Bath/whirlpool footstop, removable

K-706000-D3 Frameless Sliding Bath Door

K-706000-L 62" H sliding bath door with 1/4"-thick glass

K-706004-D3 Frameless Sliding Bath Door

K-706004-L Frameless Sliding Bath Door

K-1177 Vinyl Tiling-in Bead



Codes/Standards

ASME A112.19.7/CSA B45.10

CSA B45.5/IAPMO Z124

ASTM E162

ASTM E662

UL 1795

CSA C22.2 No. 218.2

cUL Listed







UL Listed

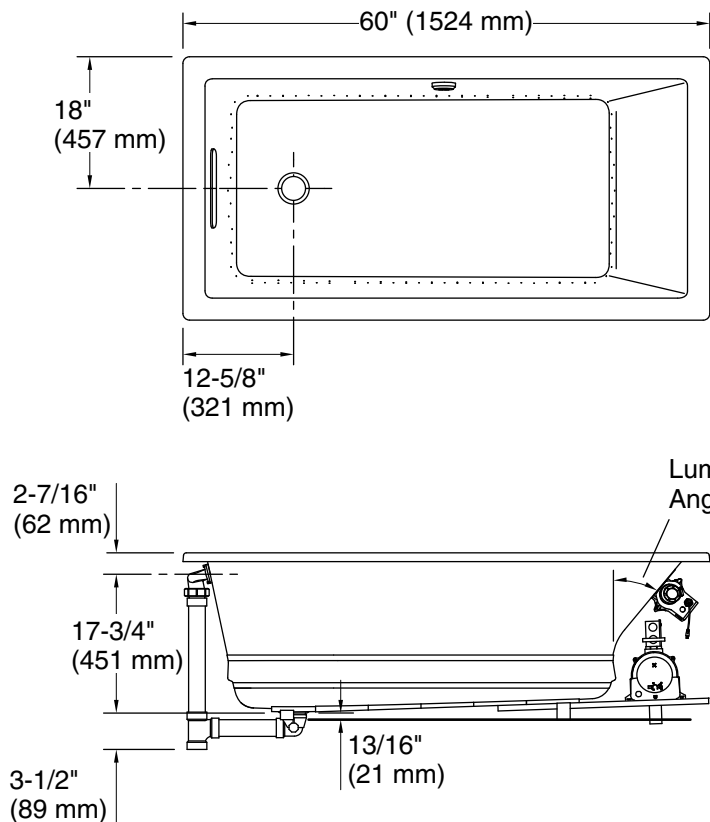
KOHLER® Plastic Baths and Shower Bases Lifetime Limited Warranty KOHLER® Hydrotherapy Components Five-Year Limited Warranty

See website for detailed warranty information.

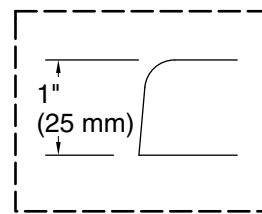
Available Colors/Finishes

Color tiles intended for reference only.

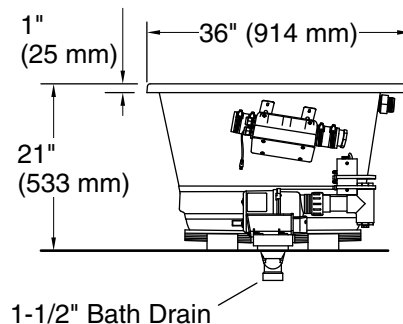
Color	Code	Description
	0	White
	96	Biscuit
	NY	Dune
	95	Ice™ Grey
	58	Thunder™ Grey
	7	Black Black™



No change in measurements if connected with drain illustrated. (K-7272)



Blower Motor Access
 20" (508 mm) W x 15" (381 mm) H Min



Required Electrical Service

Two dedicated circuits required, protected with Class A Ground-Fault Circuit-Interrupter (GFCI). Outside North America, this device may be known as a Residual Current Device (RCD).

Blower: 120 V, 15 A, 60 Hz
 Air bath: 120 V, 15 A, 60 Hz

Technical Information

All product dimensions are nominal.

Drain location: Reversible
 Basin area, bottom: 39-9/16" x 24-11/16" (1005 mm x 627 mm)
 Basin area, top: 53-5/8" x 29-1/2" (1362 mm x 749 mm)
 Weight: 100 lbs (45.4 kg)
 Minimum floor load: 54 lbs/ft² (263.7 kg/m²)
 Water depth: 17-1/8" (435 mm)
 Water capacity: 81.1 gal (307 L)
 Cutout: Drop-in, 59-1/2" x 35-1/2" (1511 mm x 902 mm)
 Electrical component rating:
 Blower: 120 V, 10 A, 60 Hz
 Air bath: 120 V, 5 A, 60 Hz

Notes

Measure your actual product for rough-in details.

Install this product according to the installation instructions.

The hot water supply should be 70% of the capacity of the bath or greater. Installations will vary.